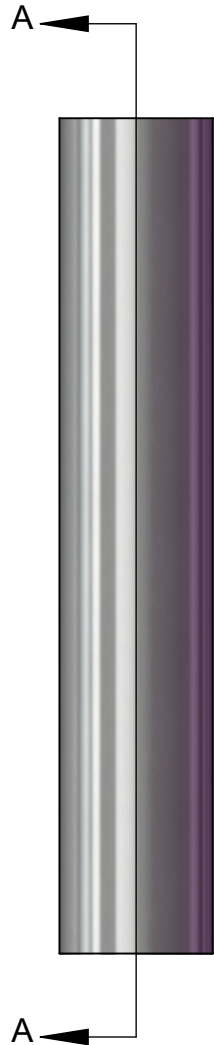
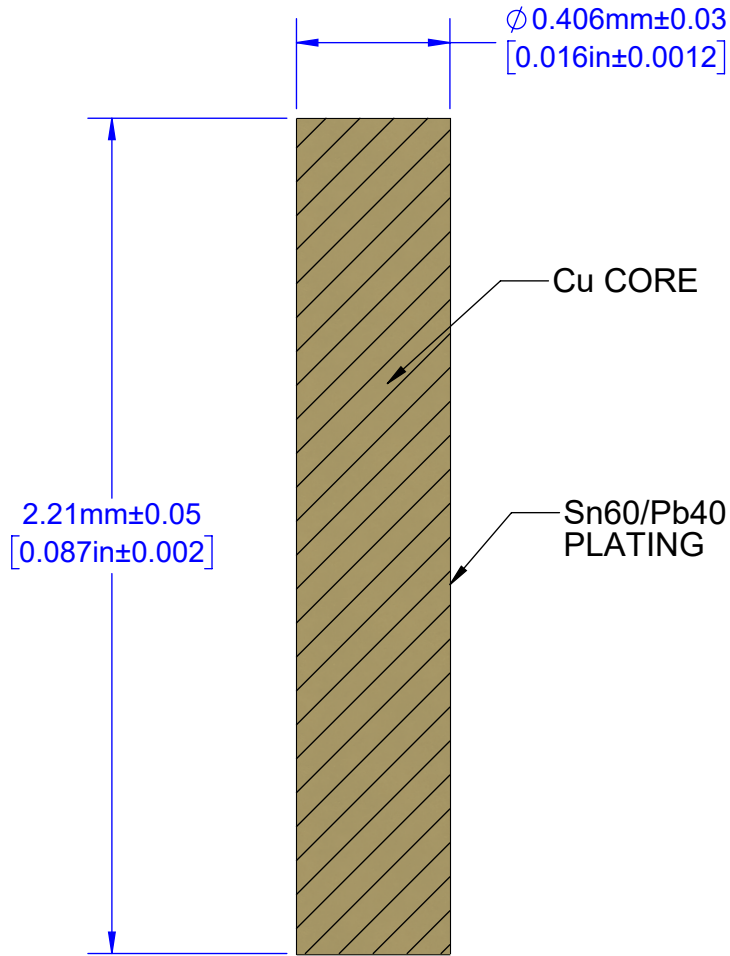


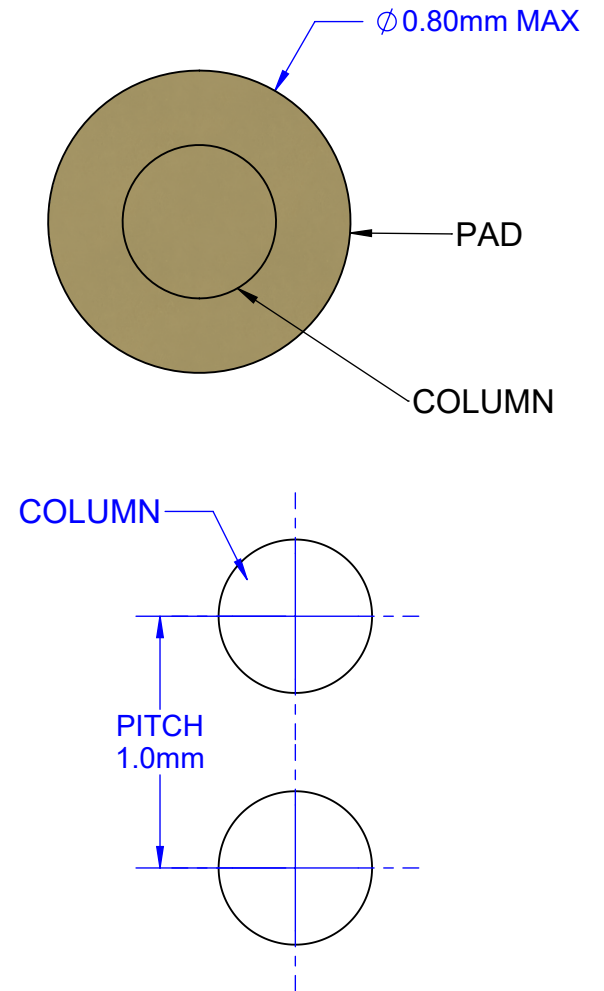
EXTERIOR VIEW



SECTION VIEW



CCGA - LAND PAD



END VIEW

Notes: (Unless Otherwise Specified).

- 1) DIMENSIONS IN mm [INCHES].
- 2) MATERIAL: Cu COPPER ALLOY CDA101 OFE-OFHC.
- 3) PLATING: Sn60/Pb40 3.0~5.0µm [100~200 MICRO-INCH].
- 4) WIRE GAUGE: AWG26.

APPROVALS	DATE	TopLine®			
DRAWN T. Au	01/13/18				
ENG M. Hart	01/13/18	TITLE CU101P16x87 CCGA COPPER COLUMN			
MFG		SCALE	SIZE	DRAWING NO.	REV
QA		50:1	A	301687	A
CUST		DO NOT SCALE DRAWING			SHEET 1 OF 1
REVISED					