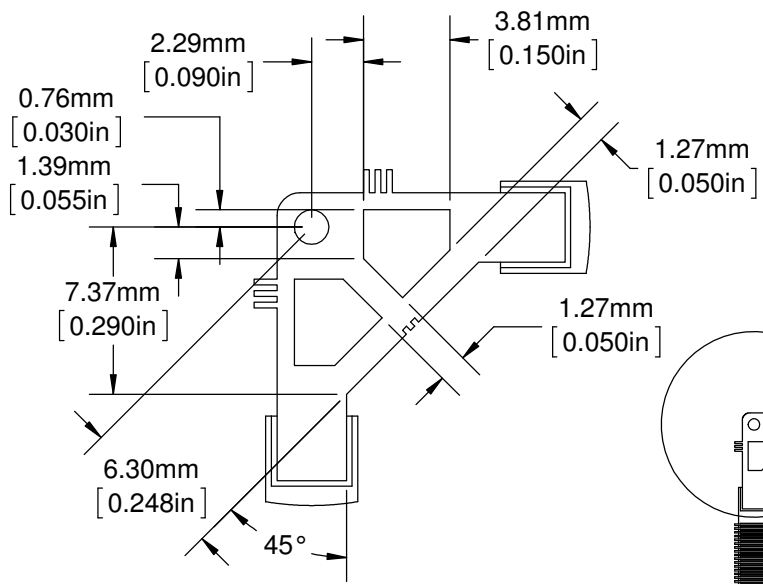
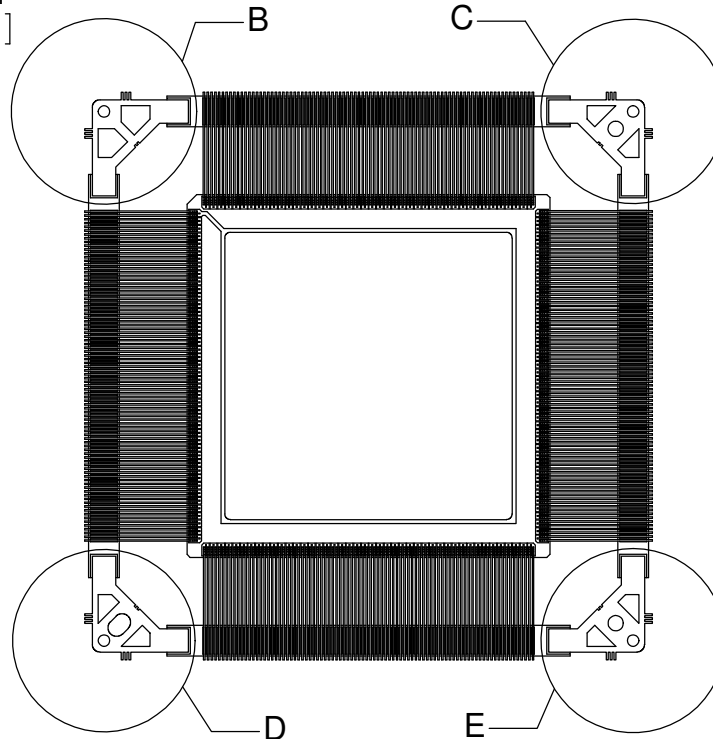


- Notes: (Unless Otherwise Specified).
- 1) DIMENSIONS: MM [INCH].
  - 2) FLAT LEADS CERAMIC TIE BAR.
  - 3) ALL EXPOSED METAL GOLD PLATED (Au).
  - 4) ESTIMATED WEIGHT 25.5 GRAM (AFTER LEAD TRIM).
  - 5) PLATING: Ni (50~350 MICRO-INCH) + Au 60-MICRO-INCH (1.52µm) MIN.

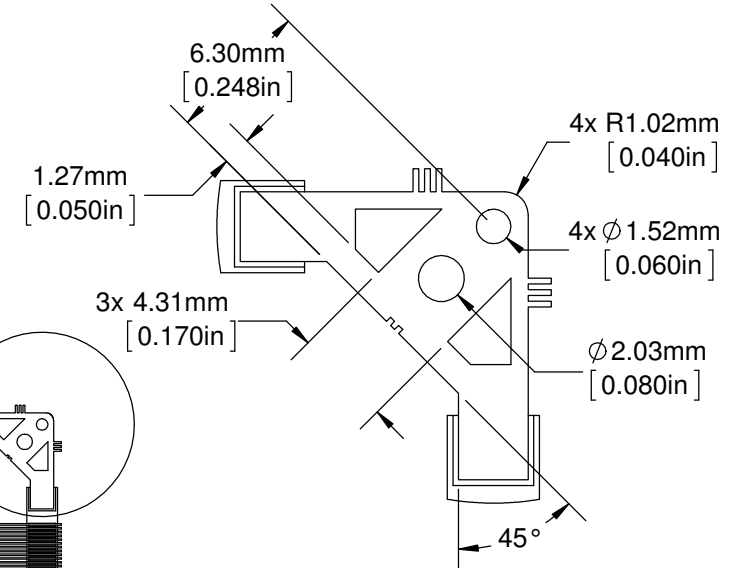
APPROVALS	DATE	<b>TopLine®</b>			
DRAWN T. Au	8/14/2015				
ENG M. Hart	8/14/2015	TITLE CERQUAD352F19.7 DUMMY 352 PIN - 0.5mm PITCH			
MFG		SCALE	SIZE	DRAWING NO.	REV
QA		3:2	A	133352	A
CUST		DO NOT SCALE DRAWING			SHEET 1 OF 8
REVISED					



DETAIL B  
SCALE 3 : 1

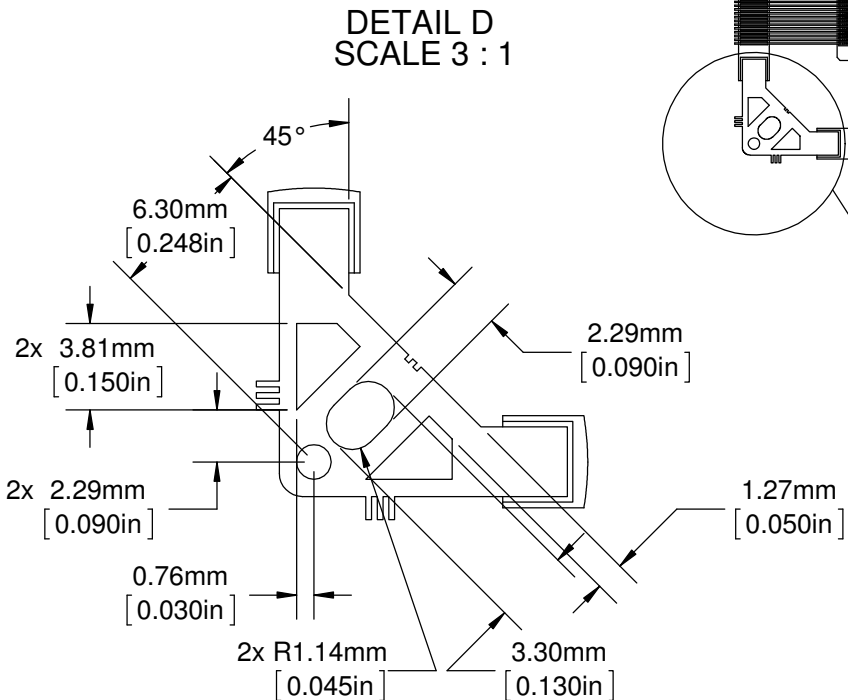
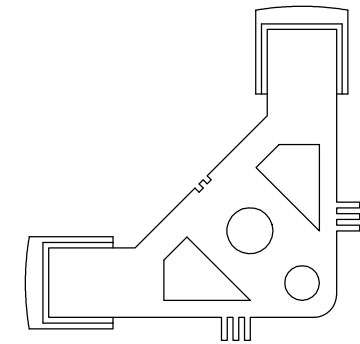


**TIE BAR**



DETAIL C  
SCALE 3 : 1

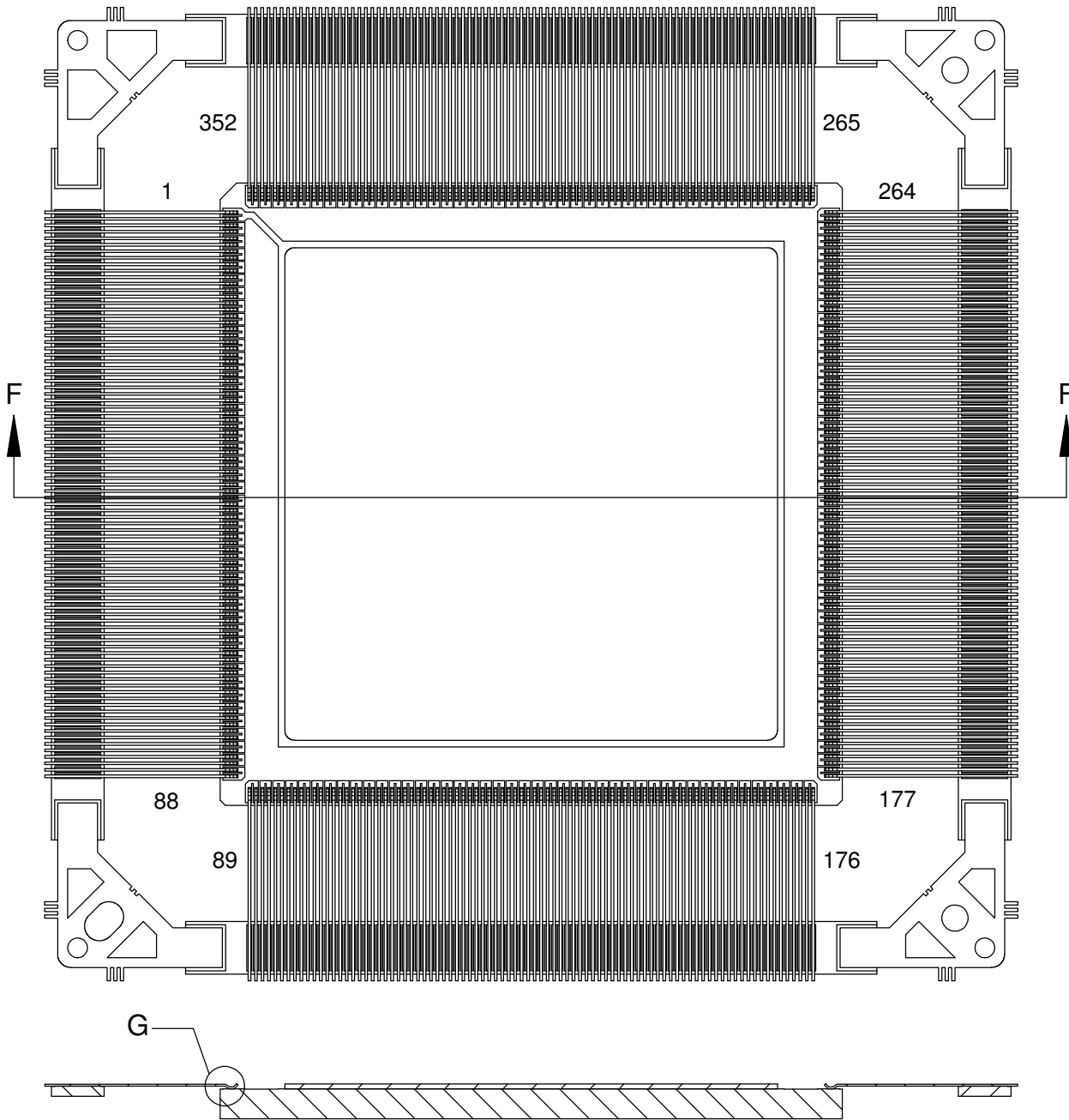
DETAIL E  
SCALE 3 : 1



DETAIL D  
SCALE 3 : 1

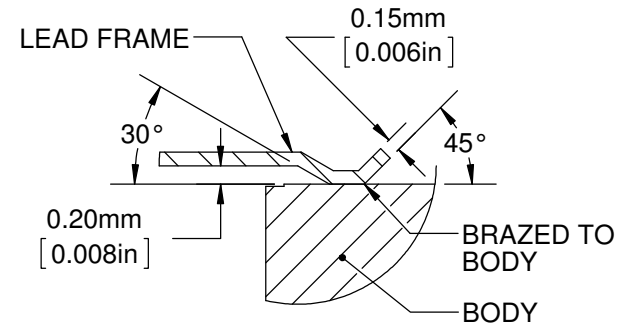
<b>TopLine®</b>			
TITLE CERQUAD352F19.7 DUMMY 352 PIN - 0.5mm PITCH			
SCALE 1:1	SIZE A	DRAWING NO. 133352	REV A
DO NOT SCALE DRAWING			SHEET 2 OF 8

TOP VIEW



SECTION F-F

CERQUAD LEAD FRAME



DETAIL G  
SCALE 12 : 1

**TopLine**<sup>®</sup>

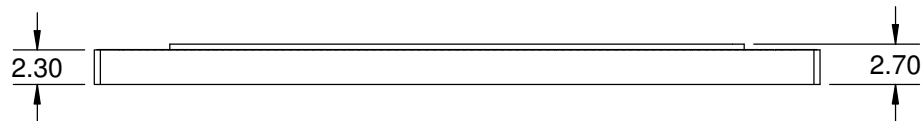
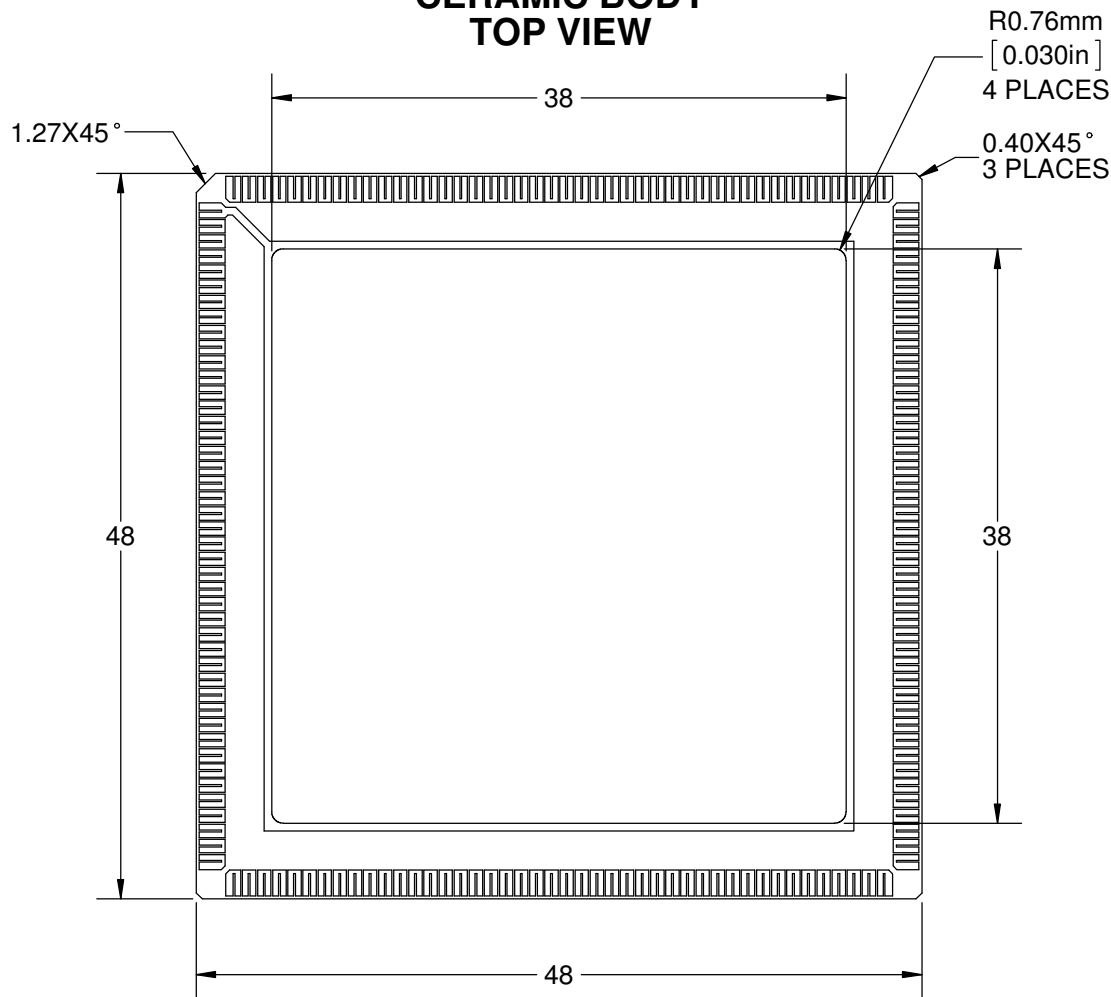
TITLE CERQUAD352F19.7 DUMMY  
352 PIN - 0.5mm PITCH

SCALE	SIZE	DRAWING NO.	REV
2:1	A	133352	A

DO NOT SCALE DRAWING

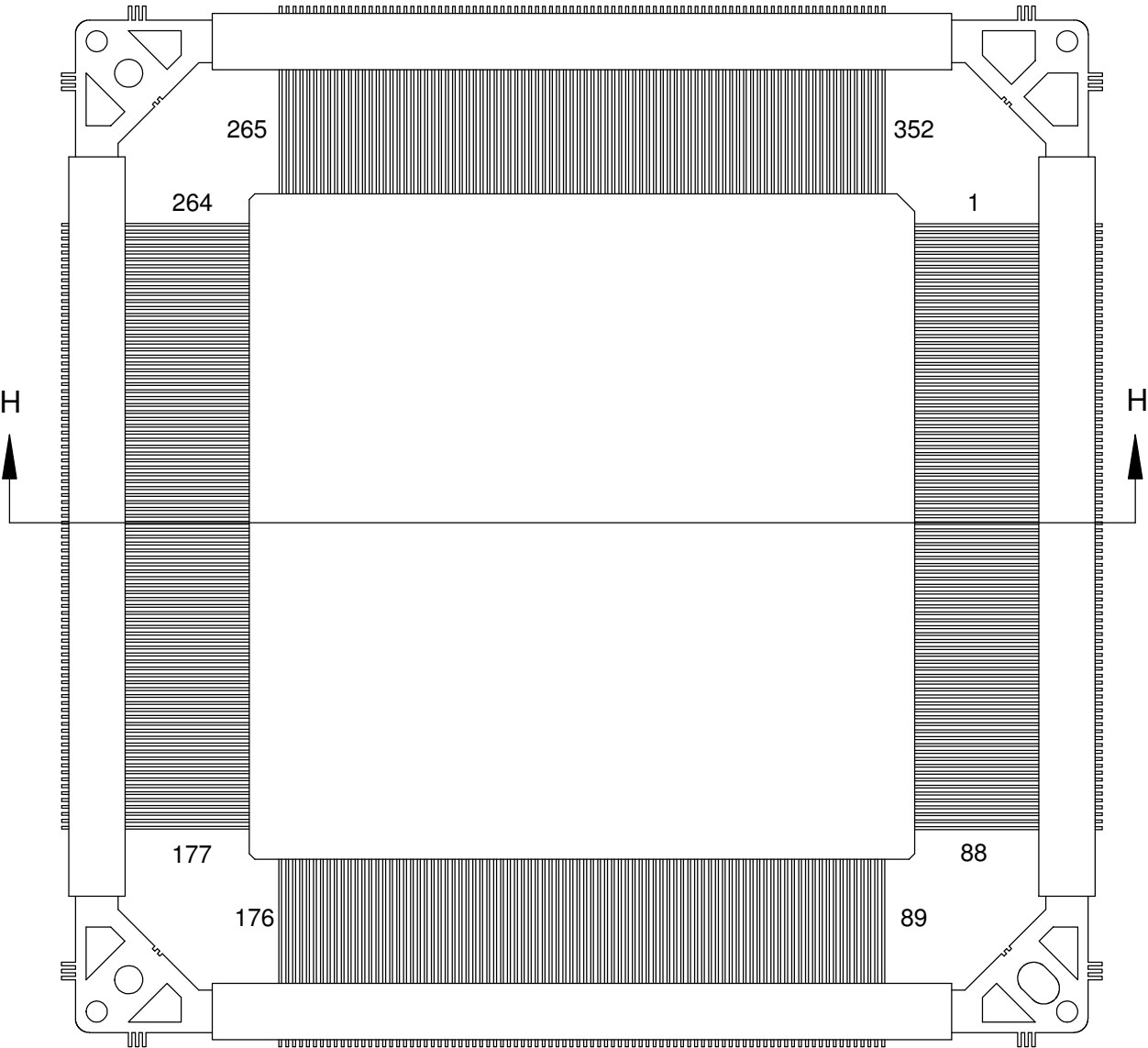
SHEET 3 OF 8

**CERQUAD352  
CERAMIC BODY  
TOP VIEW**



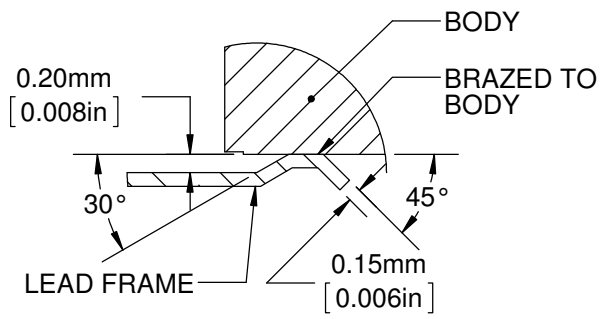
<b>TopLine®</b>			
TITLE CERQUAD352F19.7 DUMMY 352 PIN - 0.5mm PITCH			
SCALE 2:1	SIZE A	DRAWING NO. 133352	REV A
DO NOT SCALE DRAWING		SHEET 4 OF 8	

BOTTOM VIEW



SECTION H-H

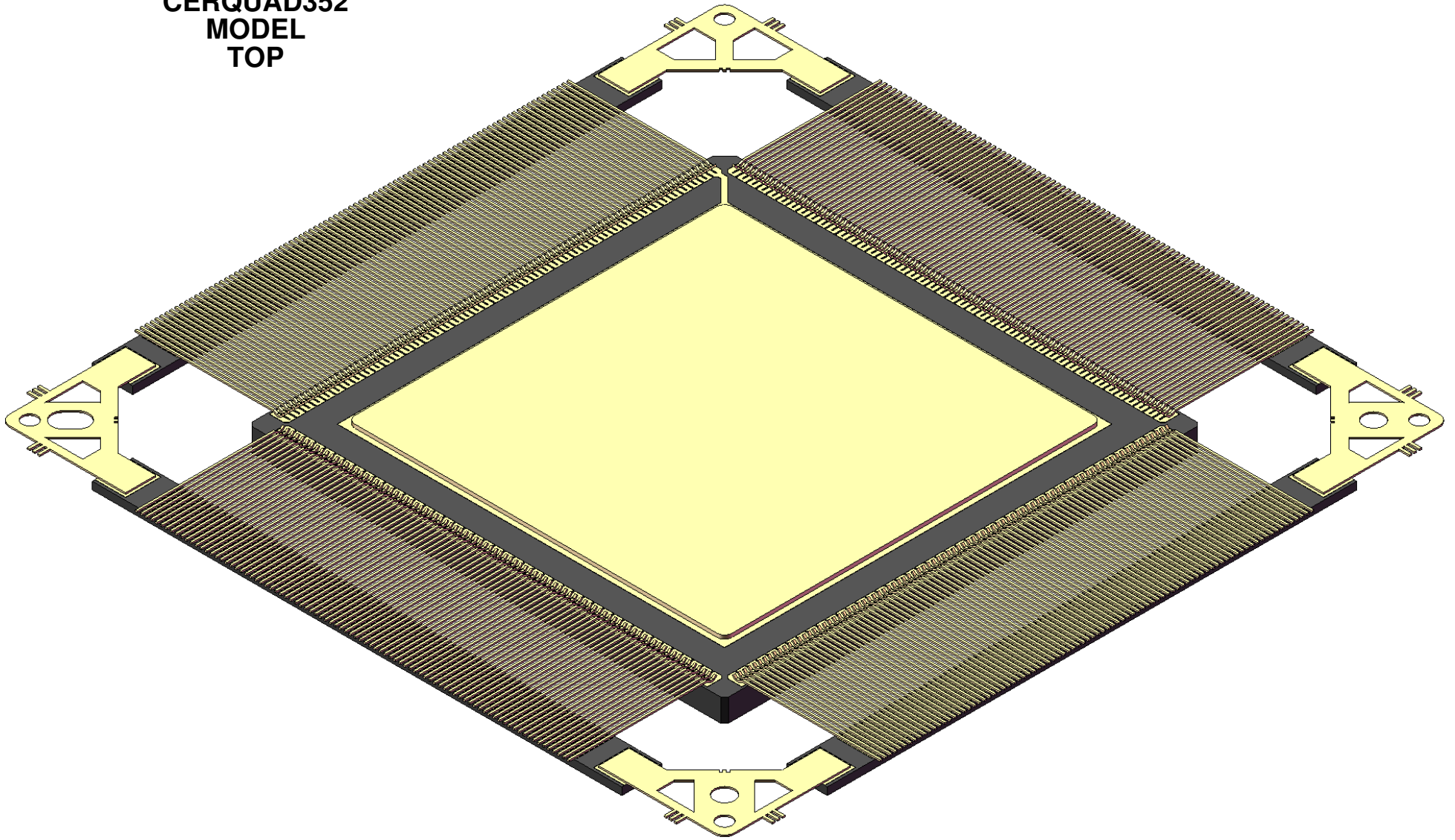
CERQUAD LEAD FRAME



DETAIL G  
SCALE 12 : 1

<b>TopLine®</b>			
TITLE CERQUAD352F19.7 DUMMY 352 PIN - 0.5mm PITCH			
SCALE 2:1	SIZE A	DRAWING NO. 133352	REV A
DO NOT SCALE DRAWING		SHEET 5 OF 8	

CERQUAD352  
MODEL  
TOP



**TopLine**<sup>®</sup>

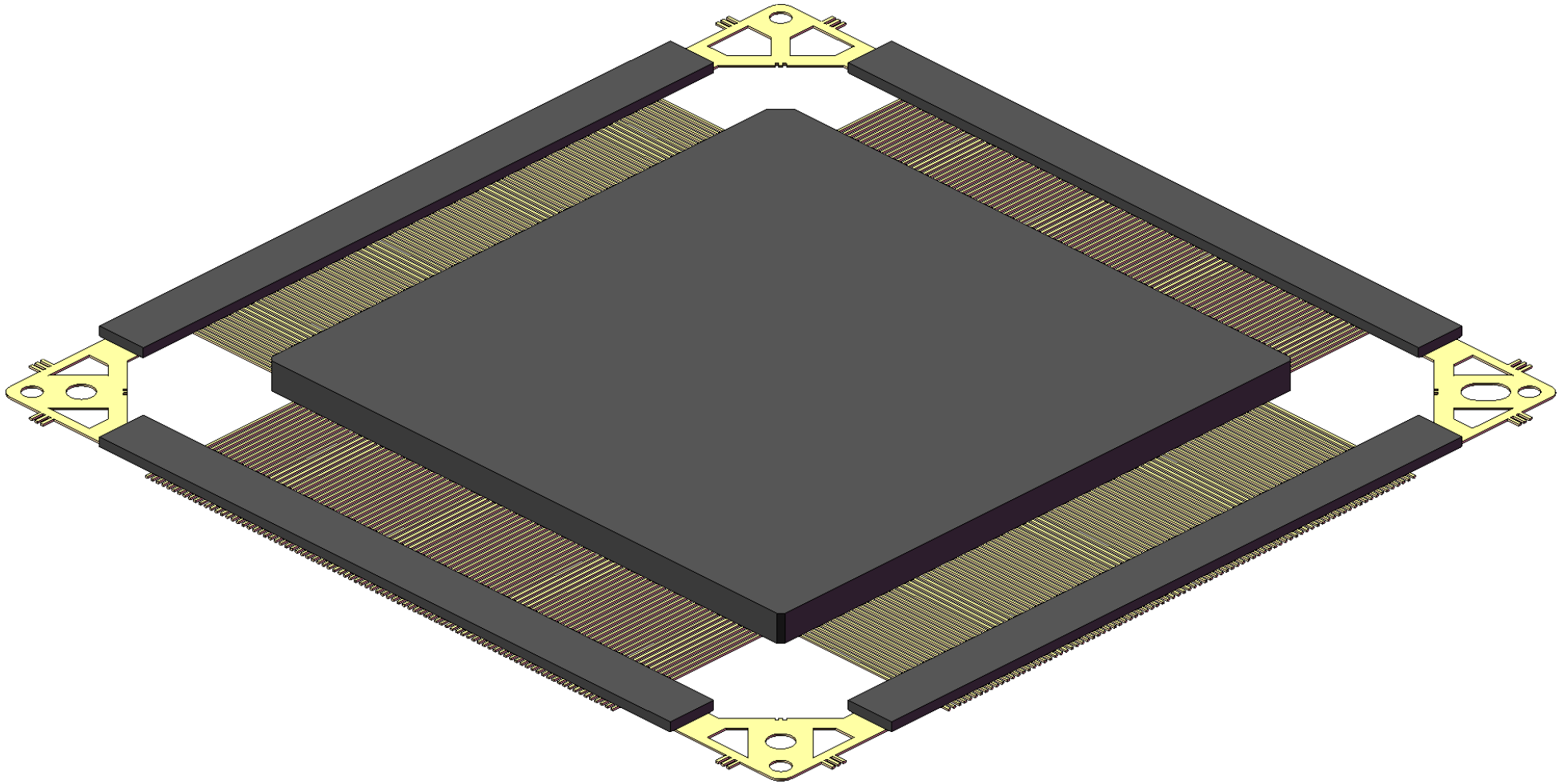
TITLE CERQUAD352F19.7 DUMMY  
352 PIN - 0.5mm PITCH

SCALE	SIZE	DRAWING NO.	REV
2.5:1	A	133352	A

DO NOT SCALE DRAWING

SHEET 6 OF 8

CERQUAD352  
MODEL  
BOTTOM



**TopLine**<sup>®</sup>

TITLE CERQUAD352F19.7 DUMMY  
352 PIN - 0.5mm PITCH

SCALE	SIZE	DRAWING NO.	REV
2.5:1	A	133352	A

DO NOT SCALE DRAWING

SHEET 7 OF 8

# DAISY CHAIN NET LIST

FROM	TO
1	2
3	4
5	6
7	8
9	10
11	12
13	14
15	16
17	18
19	20
21	22
23	24
25	26
27	28
29	30
31	32
33	34
35	36
37	38
39	40
41	42
43	44
45	46
47	48
49	50
51	52
53	54
55	56
57	58
59	60

FROM	TO
61	62
63	64
65	66
67	68
69	70
71	72
73	74
75	76
77	78
79	80
81	82
83	84
85	86
87	88
89	90
91	92
93	94
95	96
97	98
99	100
101	102
103	104
105	106
107	108
109	110
111	112
113	114
115	116
117	118
119	120

FROM	TO
121	122
123	124
125	126
127	128
129	130
131	132
133	134
135	136
137	138
139	140
141	142
143	144
145	146
147	148
149	150
151	152
153	154
155	156
157	158
159	160
161	162
163	164
165	166
167	168
169	170
171	172
173	174
175	176
177	178
179	180

FROM	TO
181	182
183	184
185	186
187	188
189	190
191	192
193	194
195	196
197	198
199	200
201	202
203	204
205	206
207	208
209	210
211	212
213	214
215	216
217	218
219	220
221	222
223	224
225	226
227	228
229	230
231	232
233	234
235	236
237	238
239	240

FROM	TO
241	242
243	244
245	246
247	248
249	250
251	252
253	254
255	256
257	258
259	260
261	262
263	264
265	266
267	268
269	270
271	272
273	274
275	276
277	278
279	280
281	282
283	284
285	286
287	288
289	290
291	292
293	294
295	296
297	298
299	300

FROM	TO
301	302
303	304
305	306
307	308
309	310
311	312
313	314
315	316
317	318
319	320
321	322
323	324
325	326
327	328
329	330
331	332
333	334
335	336
337	338
339	340
341	342
343	344
345	346
347	348
349	350
351	352

TopLine®			
TITLE CERQUAD352F19.7 DUMMY 352 PIN - 0.5mm PITCH			
SCALE NONE	SIZE A	DRAWING NO. 133352	REV A
DO NOT SCALE DRAWING			SHEET 8 OF 8