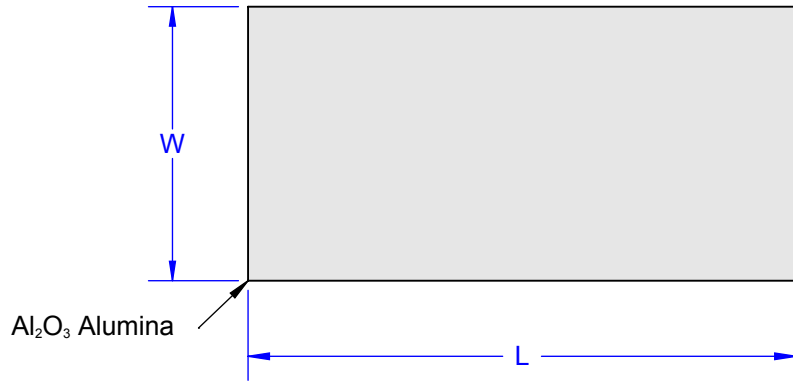
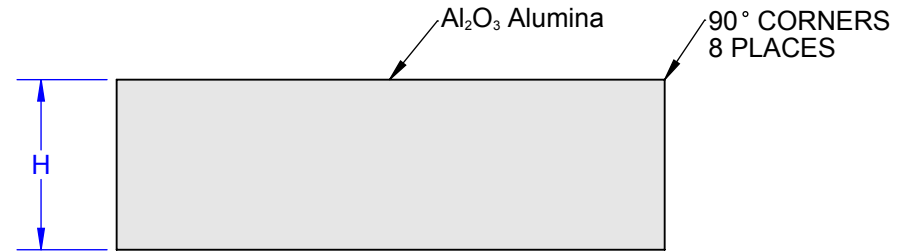


# WHITE AND BLACK CHIPS WITHOUT METALLIZATION

## TOP VIEW



## SIDE VIEW



### NOTES:

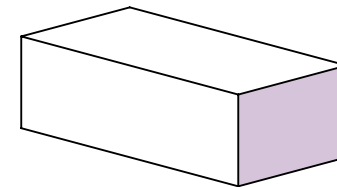
1. DIMENSION IN mm EXCEPT AS NOTED.
2. METALLIZATION: NONE.
3. Pb-FREE AND HALOGEN FREE.
4. COLORS: WHITE and BLACK.

### PART NUMBER TABLE

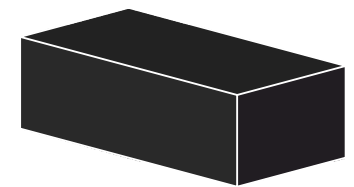
SIZE CODE	COLOR	PART SERIES	SIZE (MM)				TOLERANCE	OUTLINE DRAWING
			L LENGTH	W WIDTH	H HEIGHT			
0201	WHITE	SCC0201P7A-WHITE	0.60	0.30	0.30	±0.025	020110	
0402	WHITE	SCC0402P7A-WHITE	1.00	0.50	0.50	±0.076	040210	
0603	WHITE	SCC0603P7A-WHITE	1.60	0.80	0.74	±0.076	060310	
0805	WHITE	SCC0805E7A-WHITE	2.00	1.20	0.94	±0.076	080510	
1206	WHITE	SCC1206P7A-WHITE	3.20	1.60	1.22	±0.076	120610	
0201	BLACK	SCC0201P7A-BLACK	0.60	0.30	0.30	±0.025	020111	
0402	BLACK	SCC0402P7A-BLACK	1.00	0.50	0.50	±0.076	040211	
0603	BLACK	SCC0603P7A-BLACK	1.60	0.80	0.74	±0.076	060311	
0805	BLACK	SCC0805E7A-BLACK	2.00	1.20	0.94	±0.076	080511	
1206	BLACK	SCC1206P7A-BLACK	3.20	1.60	1.22	±0.076	120611	

OTHER SIZES AVAILABLE. CONTACT TOPLINE.

### MODELS



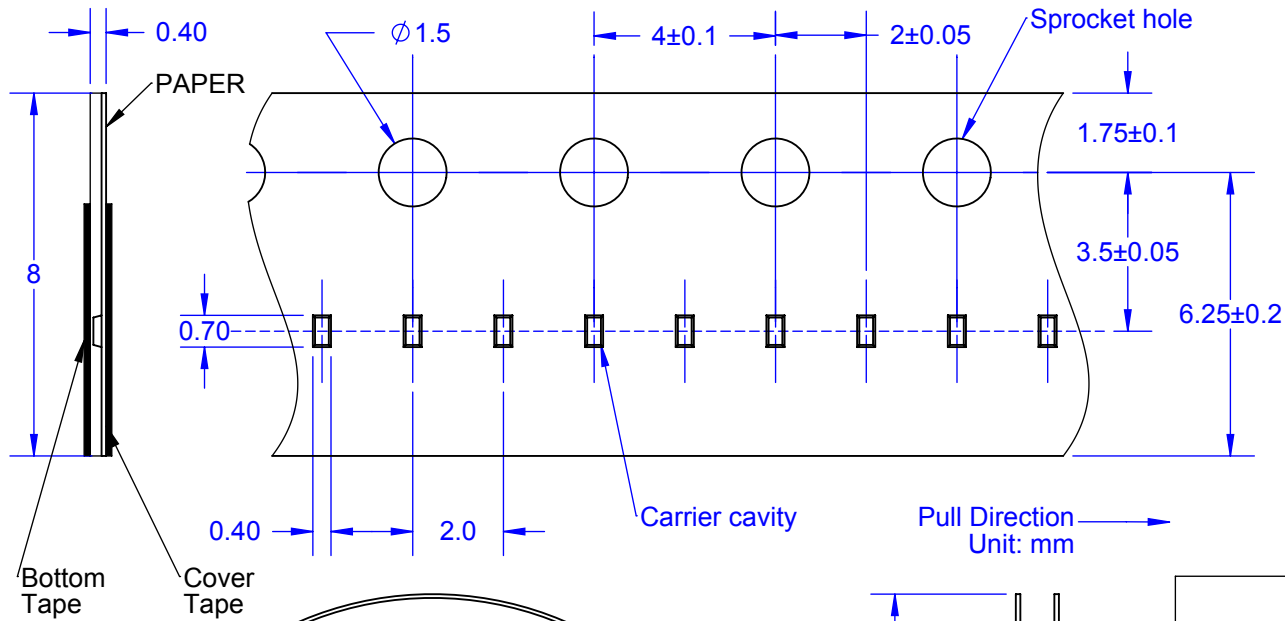
WHITE



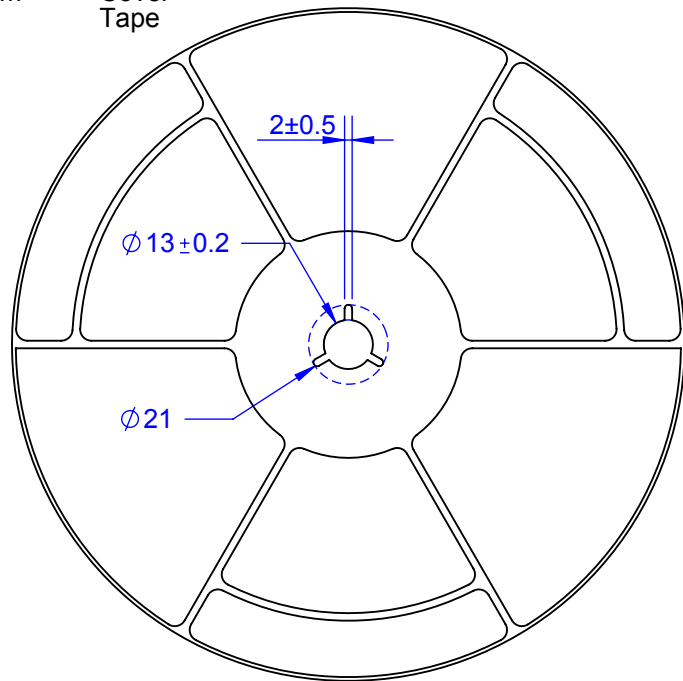
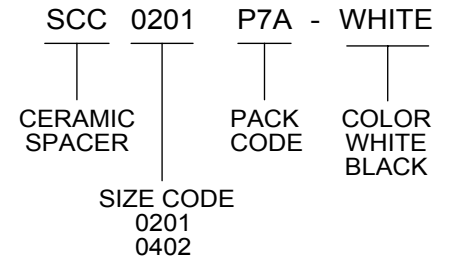
BLACK

APPROVALS	DATE	<b>TopLine®</b>			
DRAWN T. Au	07/27/14				
ENG M. Hart	07/27/14	TITLE SCC0201~SCC1206 UNTERMINATED CHIPS			
MFG		SCALE	SIZE	DRAWING NO.	REV
QA		125:1	A	020109	A
CUST		DO NOT SCALE DRAWING			SHEET 1 OF 3
REVISED					

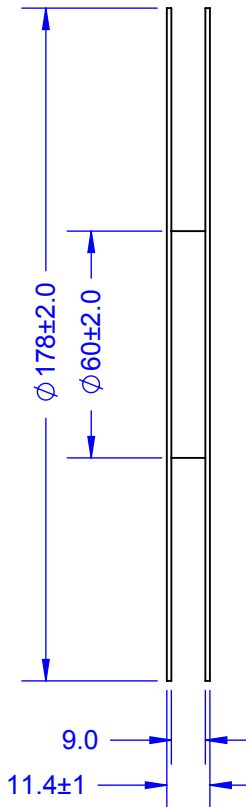
# W8P2 CARRIER TAPE DIMENSION



## PART NUMBER SYSTEM



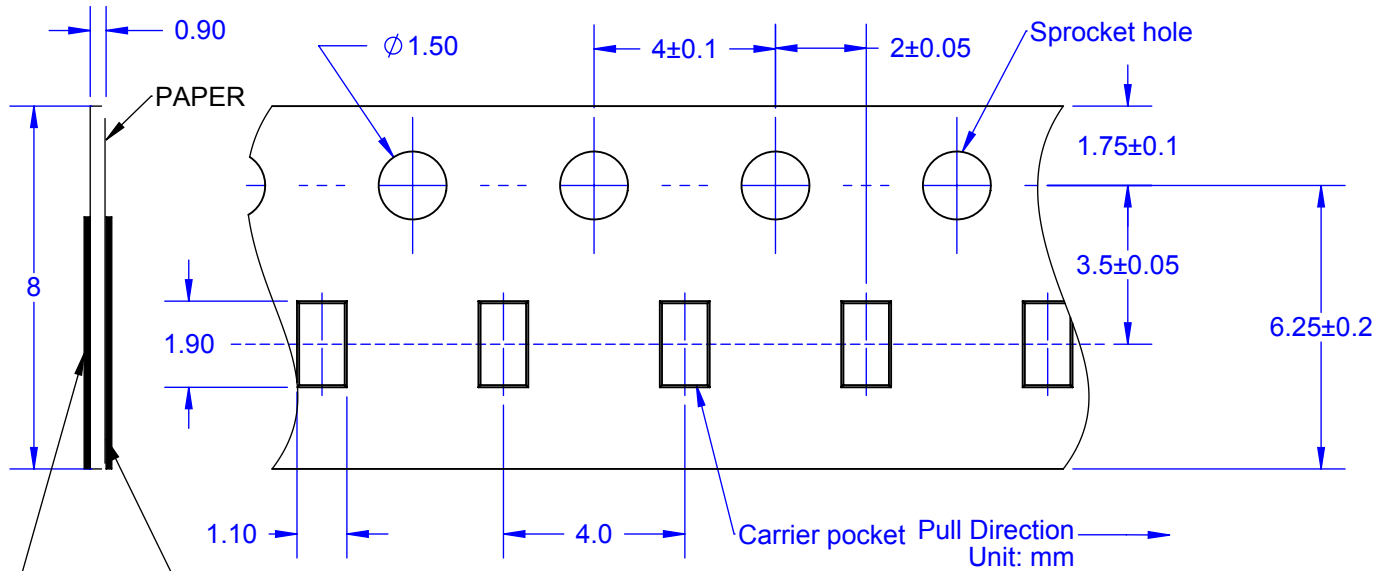
## REEL DIMENSIONS



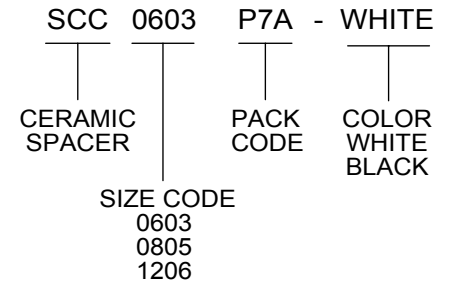
PACK CODE				
CODE	0201	0402	PACKAGE	TAPE
P7A	15,000	10,000	REEL	PAPER
P4A	1,000	1,000	REEL	PAPER

APPROVALS	DATE	<b>TopLine®</b>			
DRAWN T. Au	07/27/14	TITLE SCC0201~SCC1206 UNTERMINATED CHIPS			
ENG M. Hart	07/27/14				
MFG		SCALE NONE	SIZE A	DRAWING NO. 020109	REV A
QA		DO NOT SCALE DRAWING			SHEET 2 OF 3
CUST					
REVISED					

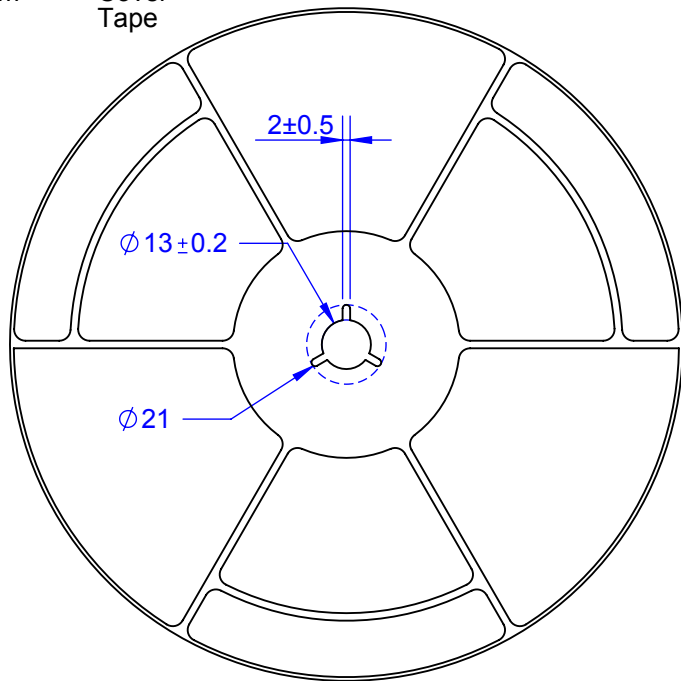
# W8P4 CARRIER TAPE DIMENSION



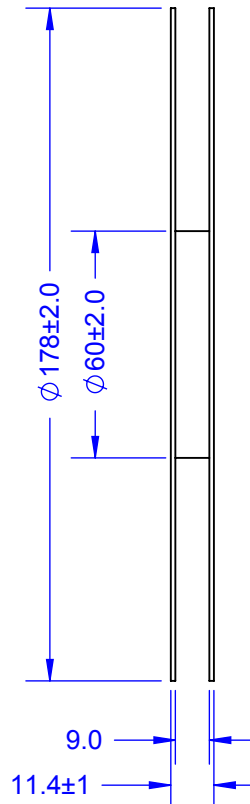
## PART NUMBER SYSTEM



Bottom Tape  
Cover Tape




## REEL DIMENSIONS



PACK CODE			
CODE	QTY	PACKAGE	TAPE
P7A	4,000	REEL	PAPER
P4A	1,000	REEL	PAPER
*E7A	4,000	REEL	PLASTIC
*E4A	1,000	REEL	PLASTIC

\*NOTE: SCC0805 PLASTIC TAPE.

APPROVALS	DATE				
DRAWN T. Au	07/27/14				
ENG M. Hart	07/27/14	SCALE NONE SIZE A DRAWING NO. 020109 REV A			
MFG					
QA					
CUST					
REVISED					