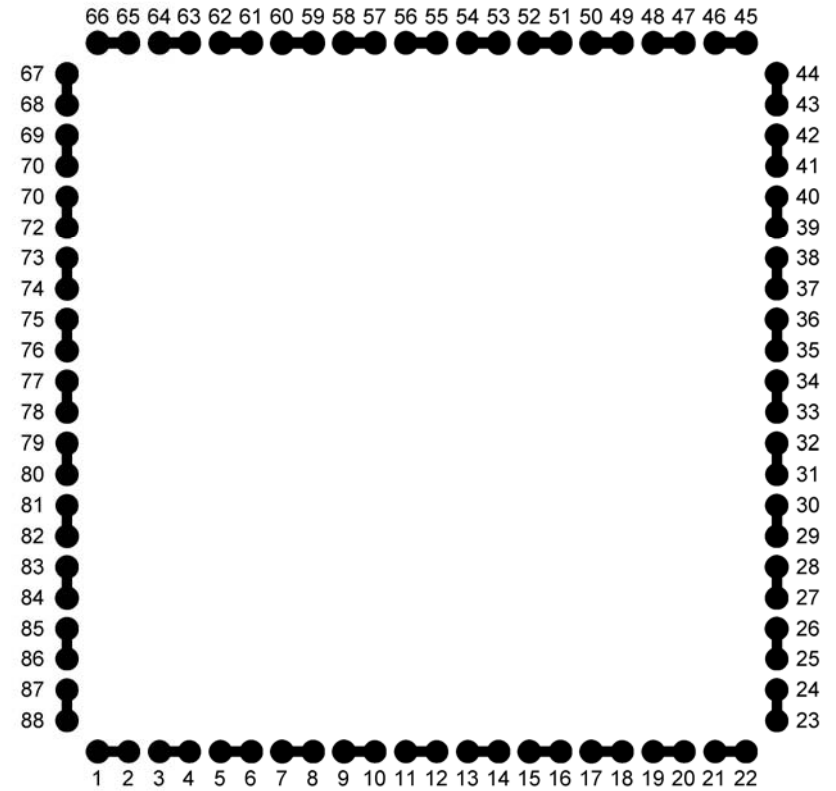
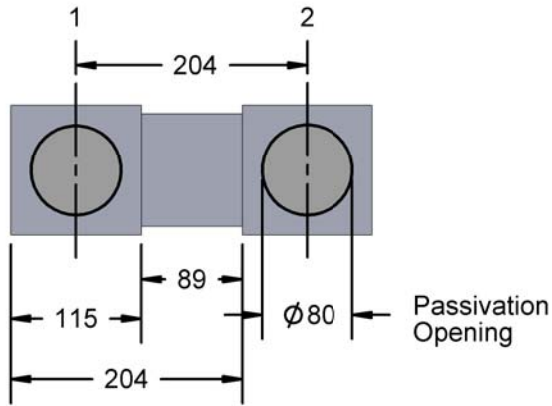


DAISY CHAIN PATTERN PAD VIEW

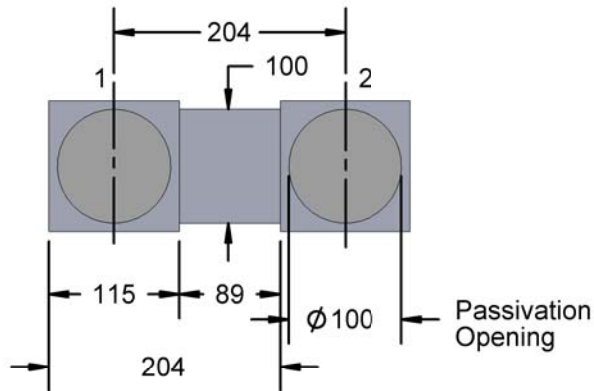


WIRE BONDING PAD

DETAIL 1



DETAIL 2



NOTES:

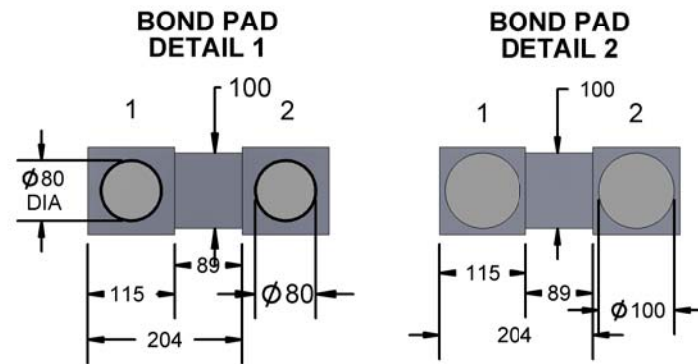
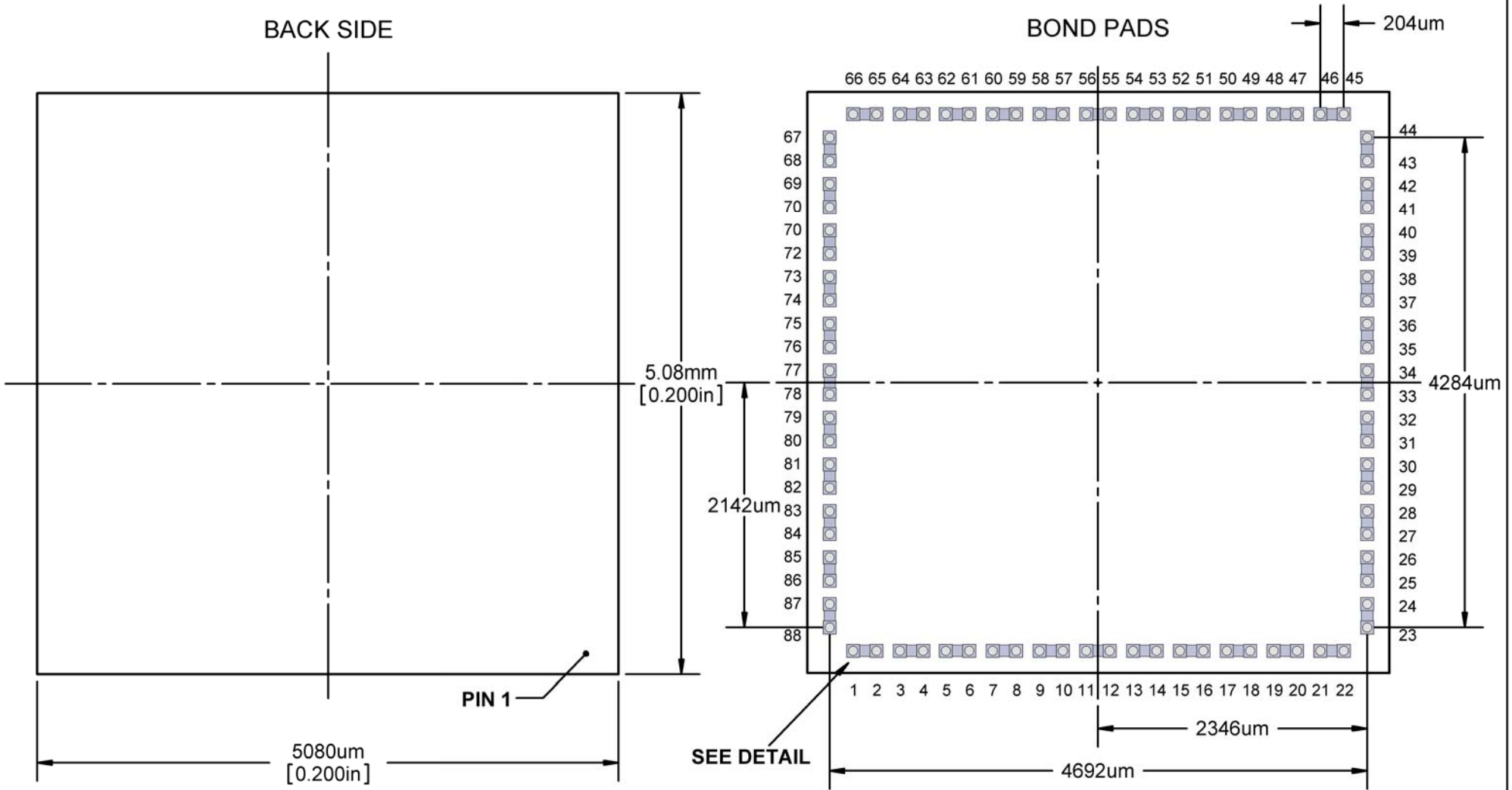
- 1) DIMENSIONS IN MICRONS (μm) OR AS SPECIFIED.
- 2) THICKNESS: 635 μm (OTHER AVAILABLE).
- 3) PASSIVATION: NITRIDE 8KA THICKNESS (0.8 μm).
- 4) PACKAGING: STANDARD WAFFLE PACK (TRAY).
- 5) PAD METAL THICKNESS: 17KA (1.7 μm)

PART NUMBER TABLE

PART NUMBER	DIE SIZE	DIE PER WAFER	BOND PAD	DETAIL
FCN88K5A204-DC	5.08mm	340	$\phi 80$	1
FCN88G5A204-DC	5.08mm	340	$\phi 100$	2

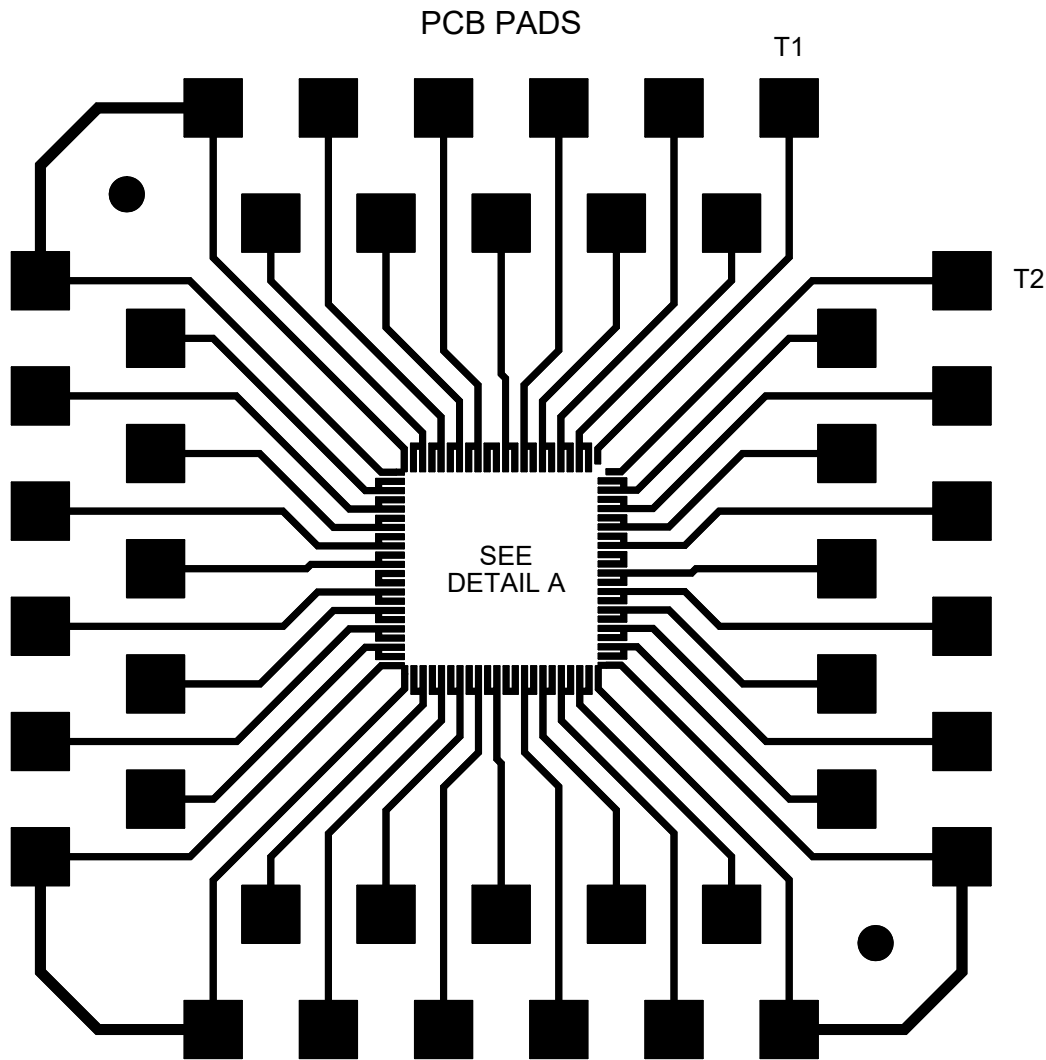
APPROVALS	DATE	TopLine			
DRAWN T.Au	5/16/2018	TITLE FCN88 - 204 μm PITCH DAISY CHAIN DIE			
ENG M. Hart	5/16/2018				
MFG		SCALE	SIZE	DRAWING NO.	REV
QA		150:1	A	682210	A
CUST		DO NOT SCALE DRAWING			SHEET 1 OF 7
REVISED					

OUTLINE DIMENSIONS

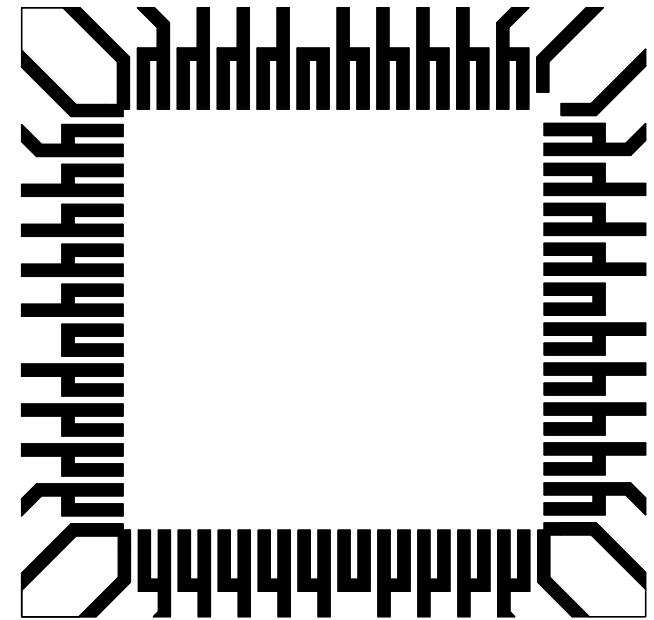


TopLine			
TITLE FCN88 - 204 μm PITCH DAISY CHAIN DIE			
SCALE	SIZE	DRAWING NO.	REV
20:1	A	682210	A
DO NOT SCALE DRAWING			SHEET 2 OF 7

RECOMMENDED PC BOARD



DETAIL A

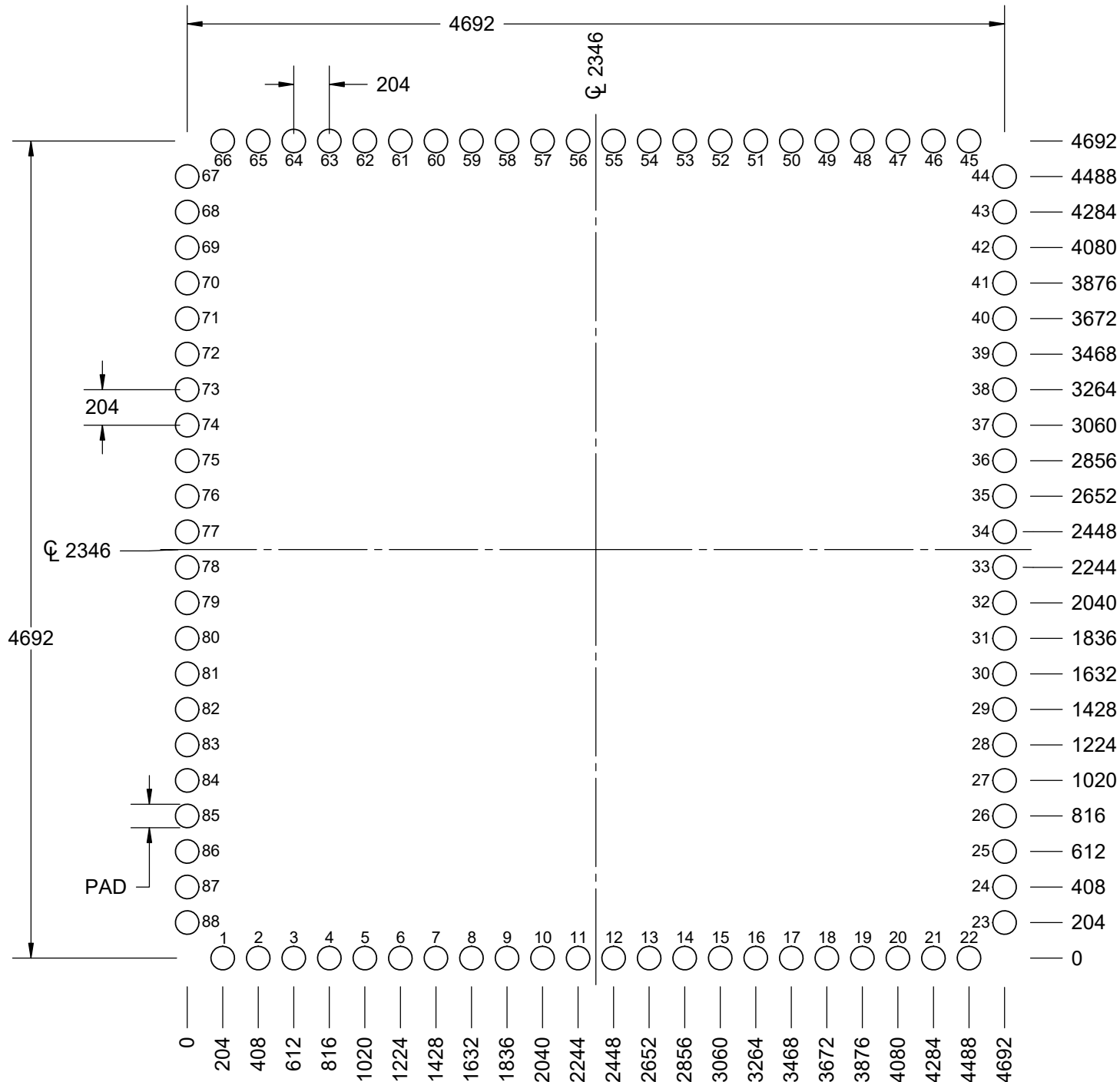


NOTES:

- 1) PCB BOARD DIMENSIONS ARE PRESENTED ONLY AS A GUIDE. DESIGNERS SHOULD USE THEIR OWN EXPERIENCE WHEN DESIGNING PCB.
- 2) NON-SOLDERMASK DEFINED PADS (NSMD).
- 3) TWO LOCAL FIDUCIALS PER DESIGNER'S PREFERENCE.

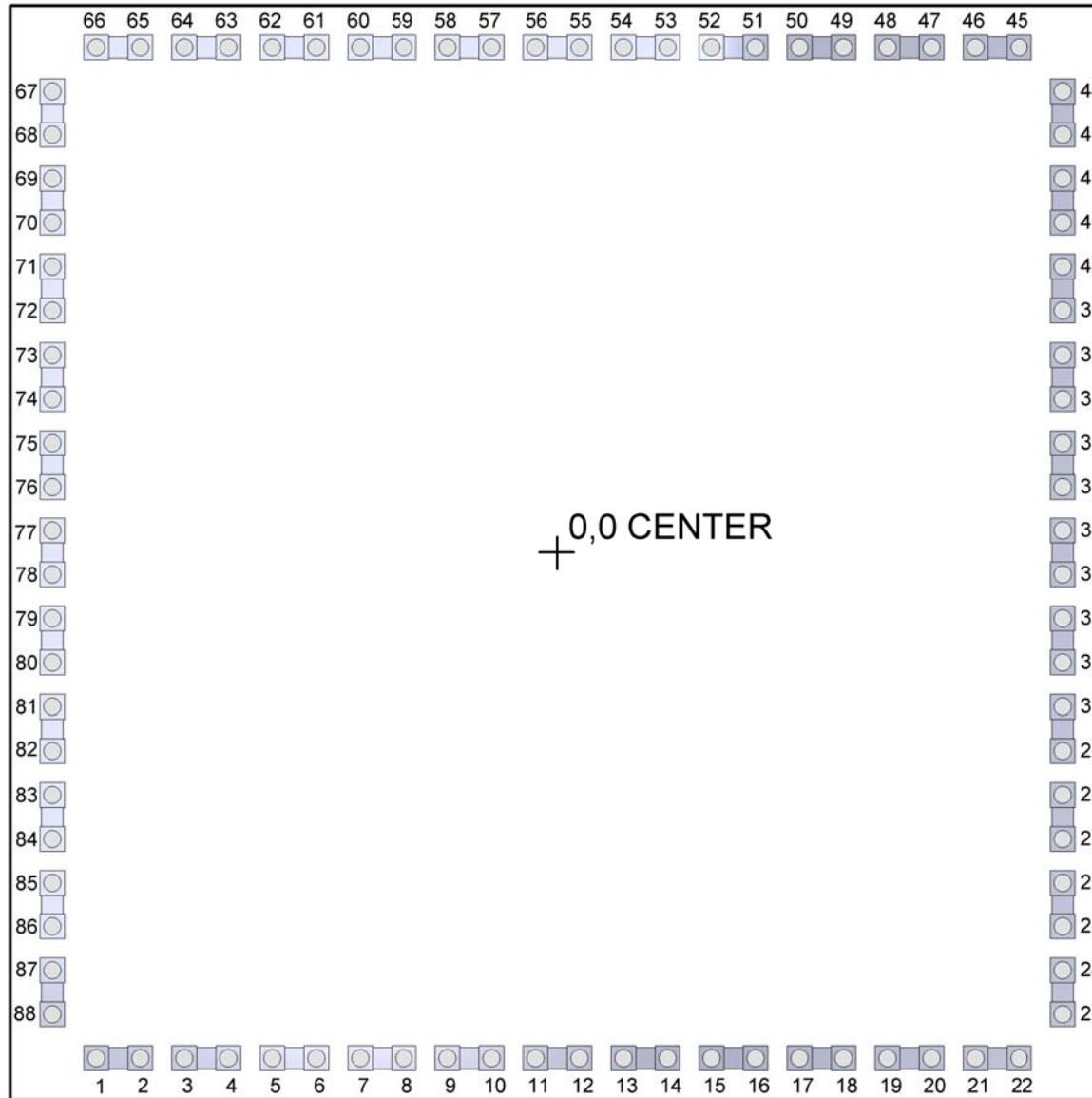
TopLine®			
TITLE		FCN88 - 204µm PITCH DAISY CHAIN DIE	
SCALE	SIZE	DRAWING NO.	REV
6:1	A	682210	A
DO NOT SCALE DRAWING			SHEET 3 OF 7

PAD LOCATION DIMENSIONS MICRON (μm)



TopLine®			
TITLE FCN88 - 204 μm PITCH DAISY CHAIN DIE			
SCALE 30:1	SIZE A	DRAWING NO. 682210	REV A
DO NOT SCALE DRAWING			SHEET 4 OF 7

BONDING MAP SEE NET LIST (PAGE 6)



TopLine®			
TITLE FCN88 - 204µm PITCH DAISY CHAIN DIE			
SCALE	SIZE	DRAWING NO.	REV
30:1	A	682210	A
DO NOT SCALE DRAWING			SHEET 5 OF 7

FC88 NET LIST

PIN#	X	Y
1	-2142	-2346
2	-1938	-2346
3	-1734	-2346
4	-1530	-2346
5	-1326	-2346
6	-1122	-2346
7	-918	-2346
8	-714	-2346
9	-510	-2346
10	-306	-2346
11	-102	-2346
12	102	-2346
13	306	-2346
14	510	-2346
15	714	-2346
16	918	-2346
17	1122	-2346
18	1326	-2346
19	1530	-2346
20	1734	-2346
21	1938	-2346
22	2142	-2346

PIN#	X	Y
23	2346	-2142
24	2346	-1938
25	2346	-1734
26	2346	-1530
27	2346	-1326
28	2346	-1122
29	2346	-918
30	2346	-714
31	2346	-510
32	2346	-306
33	2346	-102
34	2346	102
35	2346	306
36	2346	510
37	2346	714
38	2346	918
39	2346	1122
40	2346	1326
41	2346	1530
42	2346	1734
43	2346	1938
44	2346	2142

PIN#	X	Y
45	2142	2346
46	1938	2346
47	1734	2346
48	1530	2346
49	1326	2346
50	1122	2346
51	918	2346
52	714	2346
53	510	2346
54	306	2346
55	102	2346
56	-102	2346
57	-306	2346
58	-510	2346
59	-714	2346
60	-918	2346
61	-1122	2346
62	-1326	2346
63	-1530	2346
64	-1734	2346
65	-1938	2346
66	-2142	2346

PIN#	X	Y
67	-2346	2142
68	-2346	1938
69	-2346	1734
70	-2346	1530
71	-2346	1326
72	-2346	1122
73	-2346	918
74	-2346	714
75	-2346	510
76	-2346	306
77	-2346	102
78	-2346	-102
79	-2346	-306
80	-2346	-510
81	-2346	-714
82	-2346	-918
83	-2346	-1122
84	-2346	-1326
85	-2346	-1530
86	-2346	-1734
87	-2346	-1938
88	-2346	-2142

NOTES:
 1) DIMENSIONS IN MICRON (UM).
 2) X = 0, Y = 0 IS CENTER OF DIE.

TopLine®			
TITLE FCN88 - 204µm PITCH DAISY CHAIN DIE			
SCALE NONE	SIZE A	DRAWING NO. 682210	REV A
DO NOT SCALE DRAWING			SHEET 6 OF 7

PART NUMBERING SYSTEM

OTHER THICKNESS AVAILABLE

FCN

88

G

5

A

204

- OPTION

- DC - PACKAGING

Bonding Die

FCN = SINGLE DIE
FCWN = UNSAWN Wafer
5" (125mm)

Die Size

CODE	mm	mils
5	5.08	200
10	10.16	400
15	15.24	600
20	20.32	800

Pad Pitch

µm

Daisy Chain

Packaging

Blank = Tray (Standard)

Options

DIE THINNING

Code	µm	Inch
None	635µm	.025"
BG530	530µm	.021"
BG430	430µm	.017"
BG360	360µm	.014"
BG250	250µm	.010"
BG200	200µm	.008"
BG150	150µm	.006"
BG100	100µm	.004"

SIZE	Tray	Qty
5	2-inch	36 pcs
10	4-inch	49 pcs
15	4-inch	25 pcs
20	4-inch	9 pcs

Number Pads

PADS	DIE ARRAY	SIZE
88	1X	5mm
176	4X	10mm
264	9X	15mm
352	16X	20mm

PAD Material

A = Ai98, Si1.0, Cu1.0
THICKNESS 17KA

PAD

G = \varnothing 100µm
K = \varnothing 80µm

OTHER THICKNESS AVAILABLE

TopLine®

TITLE FCN88 - 204µm PITCH
DAISY CHAIN DIE

SCALE NONE	SIZE A	DRAWING NO. 682210	REV A
---------------	-----------	-----------------------	----------

DO NOT SCALE DRAWING

SHEET 7 OF 7