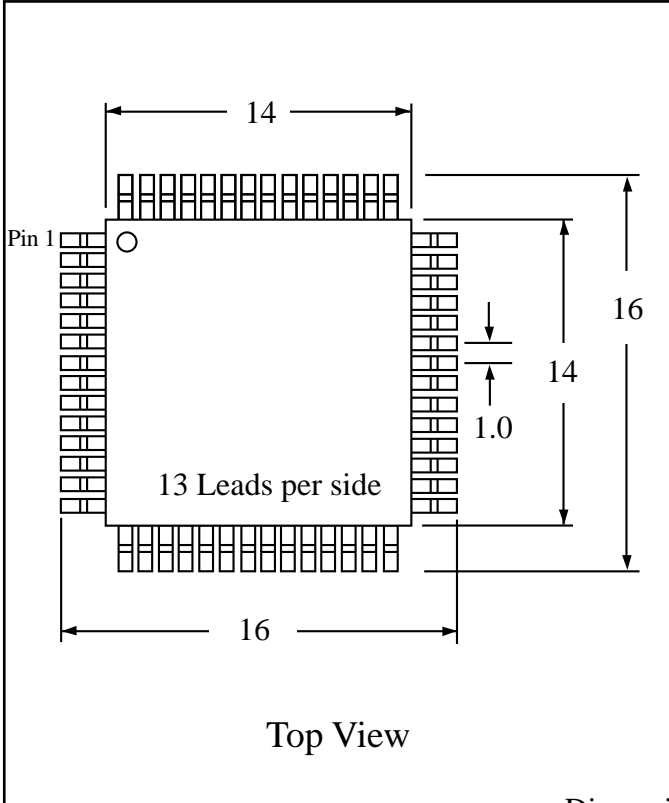


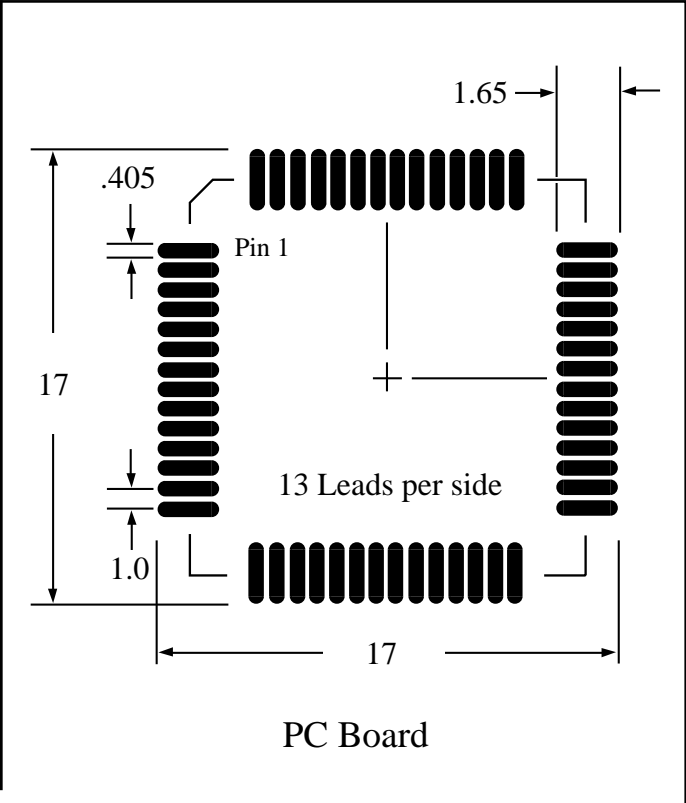
Part # **TQFP52T40-2.0**  
Leads **52** Pitch **1.0mm**  
Body Size **14mmSQ**

Dwg TQ52P1.pdf

**TopLine**<sup>TM</sup>  
Tel 1-714-898-3830  
info@toplinedummy.com

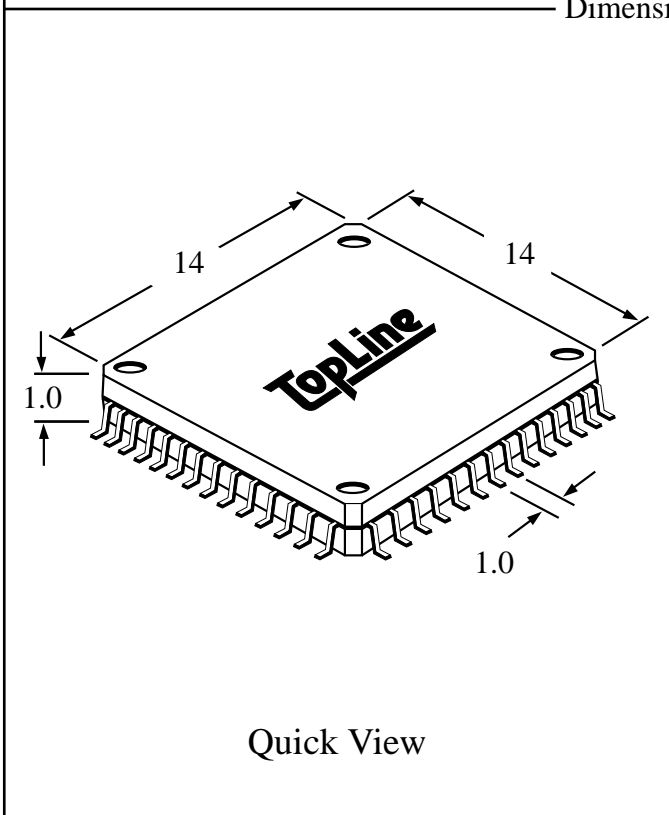


Top View

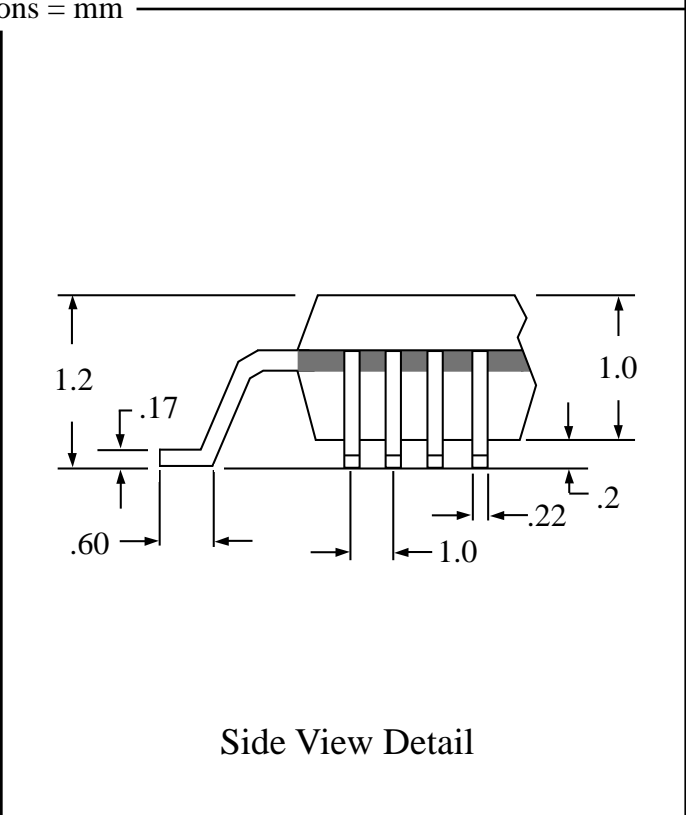


PC Board

Dimensions = mm



Quick View



Side View Detail