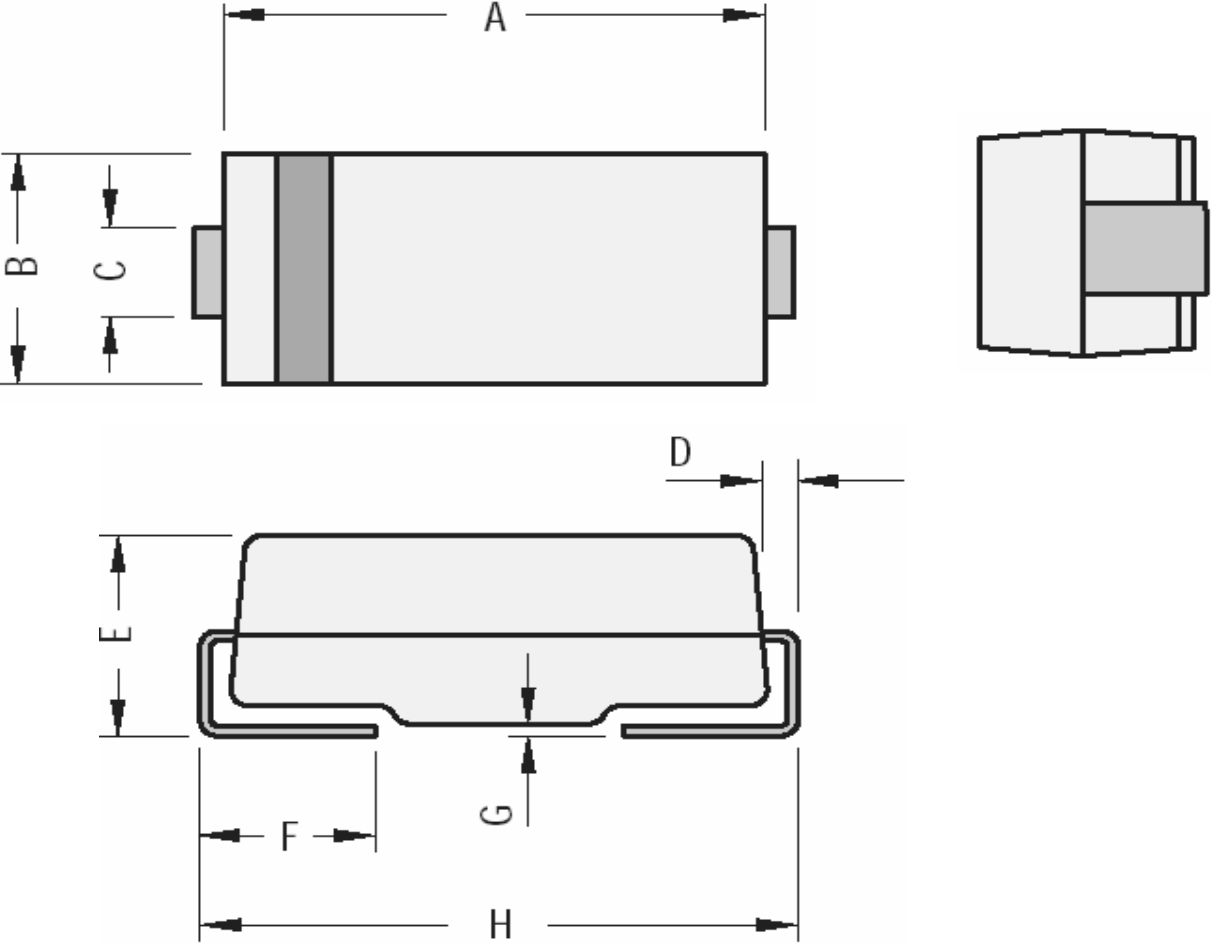


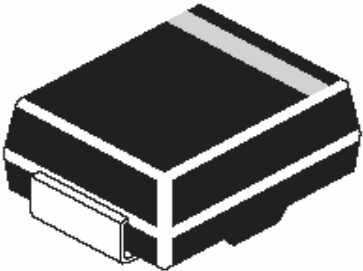
TopLine DO-214AA (SMBJ) Outline Drawing



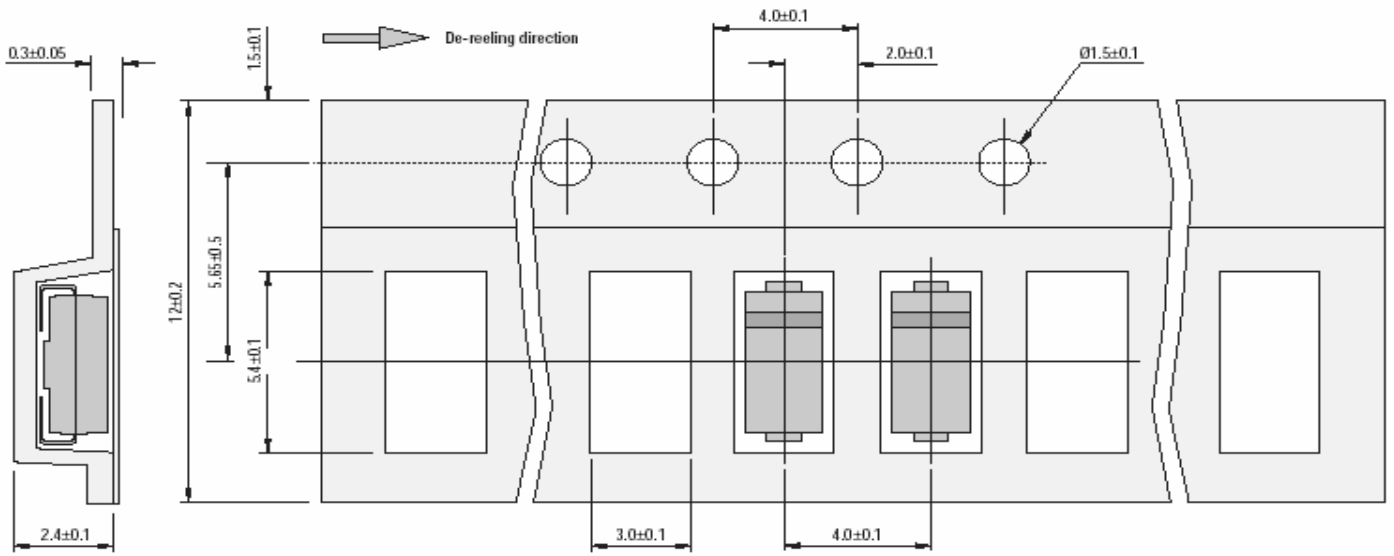
DIM	Min	Max
A	4.06	4.57
B	3.30	3.94
C	1.96	2.11
D	0.152	0.305

DIM	Min	Max
E	2.13	2.44
F	0.76	1.52
G	0.102	0.203
H	5.21	5.59

All Dimensions are in mm



DO214AA SMBJ Taping



All Dimensions are in mm