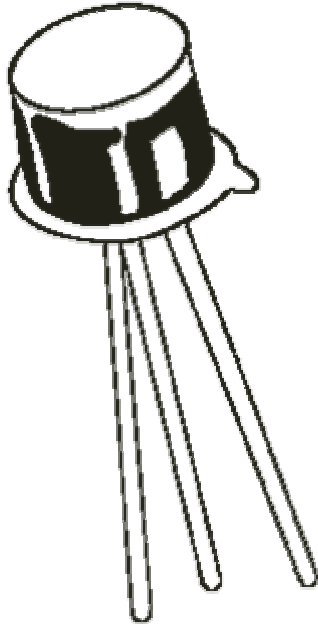




**Contact Us:**  
Tel: 1-800-776-9888  
[sales@TopLine.tv](mailto:sales@TopLine.tv)  
[www.TopLine.tv](http://www.TopLine.tv)

**TO18**  
**JEDEC TO-18 Package**  
**TopLine Dummy Component**  
**For training, practice and evaluation**



**Quick Specs:**

Pin Count 3L  
Pitch 0.100" (5.08mm) 90°  
Body 0.20" Dia (5.0 mm)  
Metal Body

**Use and Applications:**

IPC Solder Training & Practice  
Equipment Evaluation  
Prototype PWB

**Availability:**

Delivery Stock to 4 weeks

**Part Numbers:**

TO18 = SnPb (Tin-Lead)  
TO18-TIN = Sn100 (Pb-Free)  
TO18-GOLD = Au (Pb-Free)

**Part Numbering System**

TO18	-	Option
Jedec Series	-	Plating
Metal Case	-	Blank = SnPb TIN = Sn100 GOLD = Au

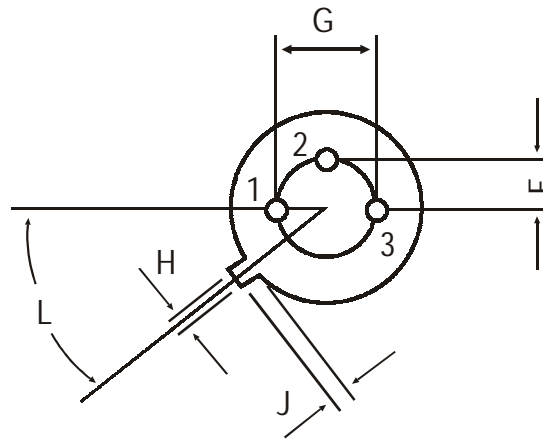
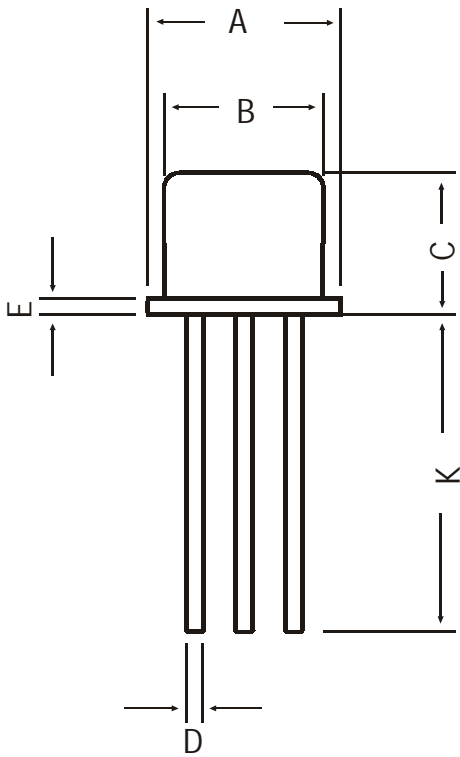
---

Options: open **Headers and cans** available for packaging live die.  
State your die size requirement.

**TopLine Corporation**  
95 Highway 22 W  
Milledgeville, GA 31061, USA  
**Toll Free** USA/Canada (800) 776-9888  
International: 1-478-451-5000 • Fax: 1-478-451-3000  
Email: [sales@topline.tv](mailto:sales@topline.tv)

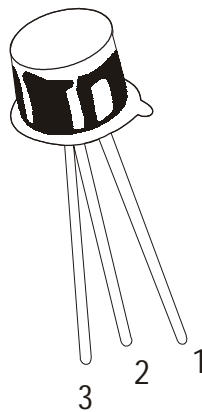
# TopLine

## TO-18 Metal Can Package



All dimensions in mm.

DIM	MIN	MAX
A	5.24	5.84
B	4.52	4.97
C	4.31	5.33
D	0.40	0.53
E	—	0.76
F	—	1.27
G	—	2.97
H	0.91	1.17
J	0.71	1.21
K	12.70	—
L	45 DEG	



PIN Type

- a. Tin (Sn)
- b. Gold (Au)
- c. Sn Pb