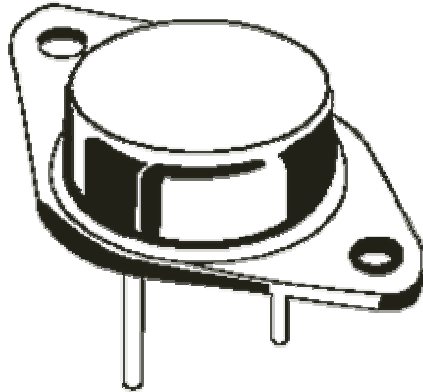




Contact Us:
Tel: 1-800-776-9888
sales@TopLine.tv
www.TopLine.tv

TO204
JEDEC TO-204AA Package
TopLine Dummy Component
For training, practice and evaluation



Quick Specs:
Pin Count 2L
Pitch 0.433" (11mm)
Metal Body

Use and Applications:
IPC Solder Training & Practice
Equipment Evaluation
Prototype PWB

Availability:
Delivery Stock to 4 weeks

Part Numbers:
TO204 = Bulk packed
TO204M = Packed in tubes

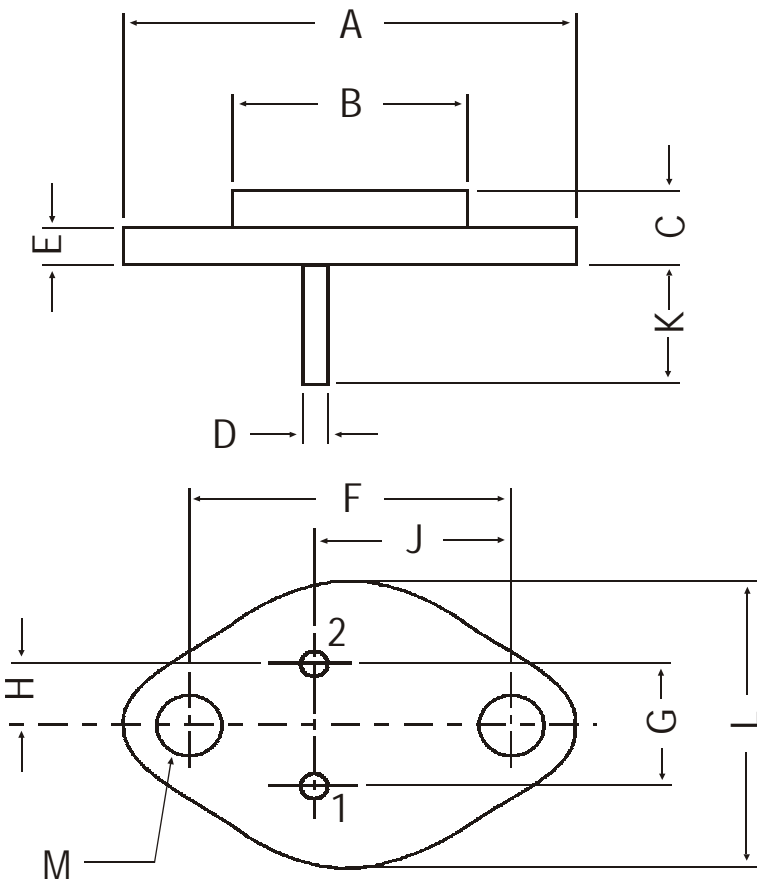
Part Numbering System

TO204	M
Jedec Series	Packaging
Metal Case	Blank=Bulk M=Tube

Options: open **Headers and cans** available for packaging live die.
State your die size requirement.

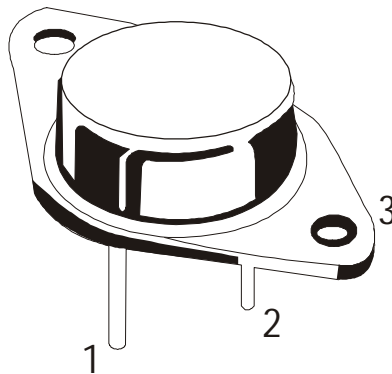
TopLine Corporation
95 Highway 22 W
Milledgeville, GA 31061, USA
Toll Free USA/Canada (800) 776-9888
International: 1-478-451-5000 • Fax: 1-478-451-3000
Email: sales@topline.tv

TO-204AA Metal Can Package



DIM	MIN.	MAX.
A	—	39.37
B	—	22.22
C	6.35	8.50
D	0.96	1.09
E	—	1.77
F	29.90	30.40
G	10.69	11.18
H	5.20	5.72
J	16.64	17.15
K	11.15	12.25
L	—	26.67
M	3.84	4.19

All dimensions in mm.



PIN CONFIGURATION

1. BASE
2. EMITTER
3. COLLECTOR

Packing Detail

PACKAGE	STANDARD PACK		INNER CARTON BOX		OUTER CARTON BOX		
	Details	Net Weight/Qty	Size	Qty	Size	Qty	Gr Wt
TO-204	100 pcs/pkt	1.3 kg/100 pcs	12.5" x 8" x 1.8"	0.1K	17" x 11.5" x 21"	2K	27.5 kgs