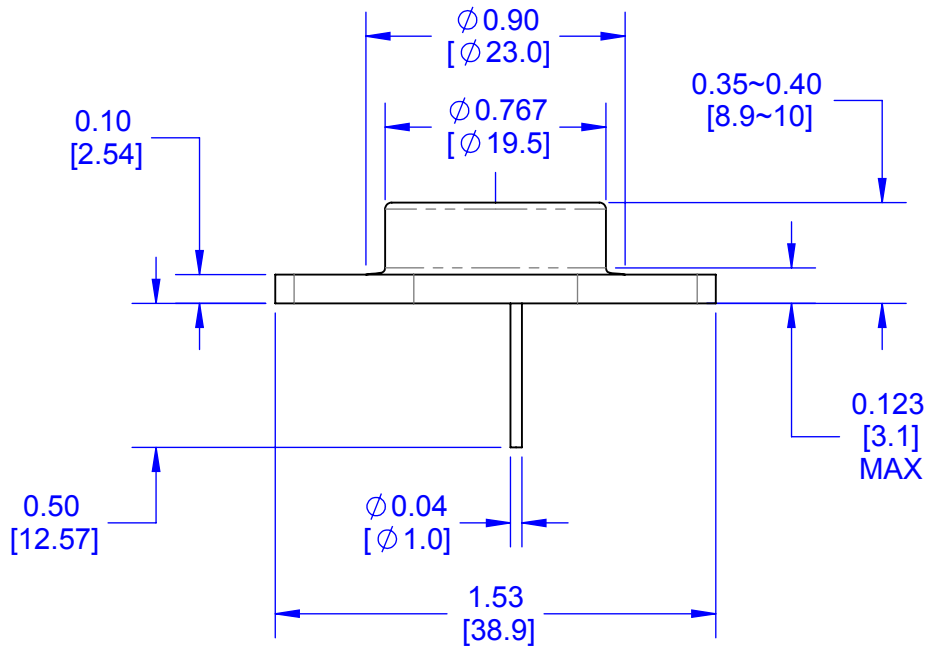
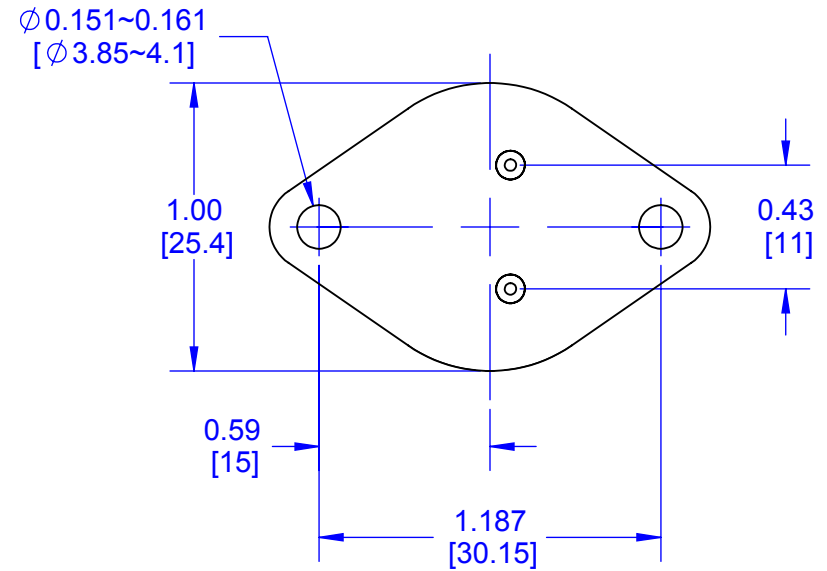


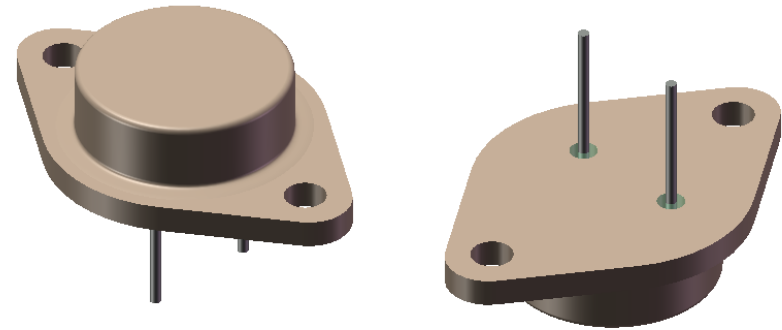
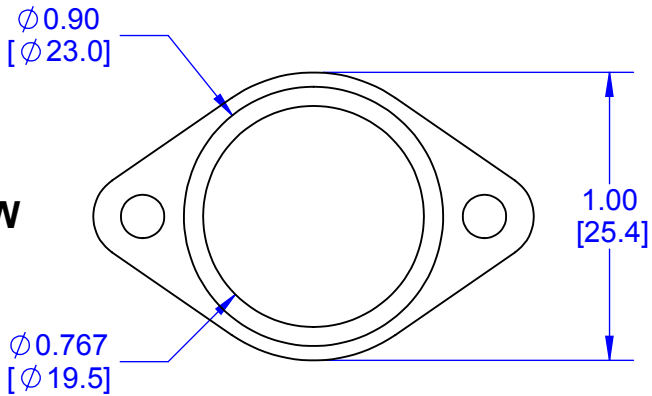
SIDE VIEW



BOTTOM VIEW




TOP VIEW



TO3-2L MODEL

PART NUMBER	NUMBER LEADS	LID	PLATING	INTERNAL HEAT SINK	DWG
TO3	2L	ATTACHED	Ni	NO	803209
TO3-N	2L	UNATTACHED	Ni	STANDARD	803200
TO3-OFHC-N-G	2L	UNATTACHED	Ni/Au	OFHC	803220

APPROVALS	DATE				
DRAWN T.Au	04/29/14				
ENG M. Hart	04/29/14	TITLE TO-3 2L PACKAGE			
MFG		SCALE 1.5:1	SIZE A	DRAWING NO. 803209	REV A
QA		DO NOT SCALE DRAWING			SHEET 1 OF 1
CUST					
REVISED					