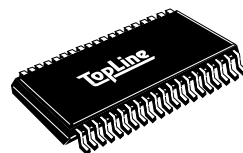


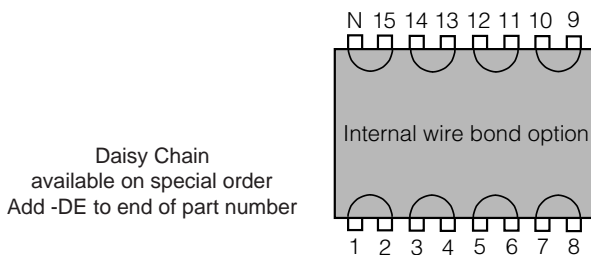


TSOP - TYPE 2 THIN SMALL OUTLINE PACKAGE



DUMMY COMPONENT ORDERING INFORMATION

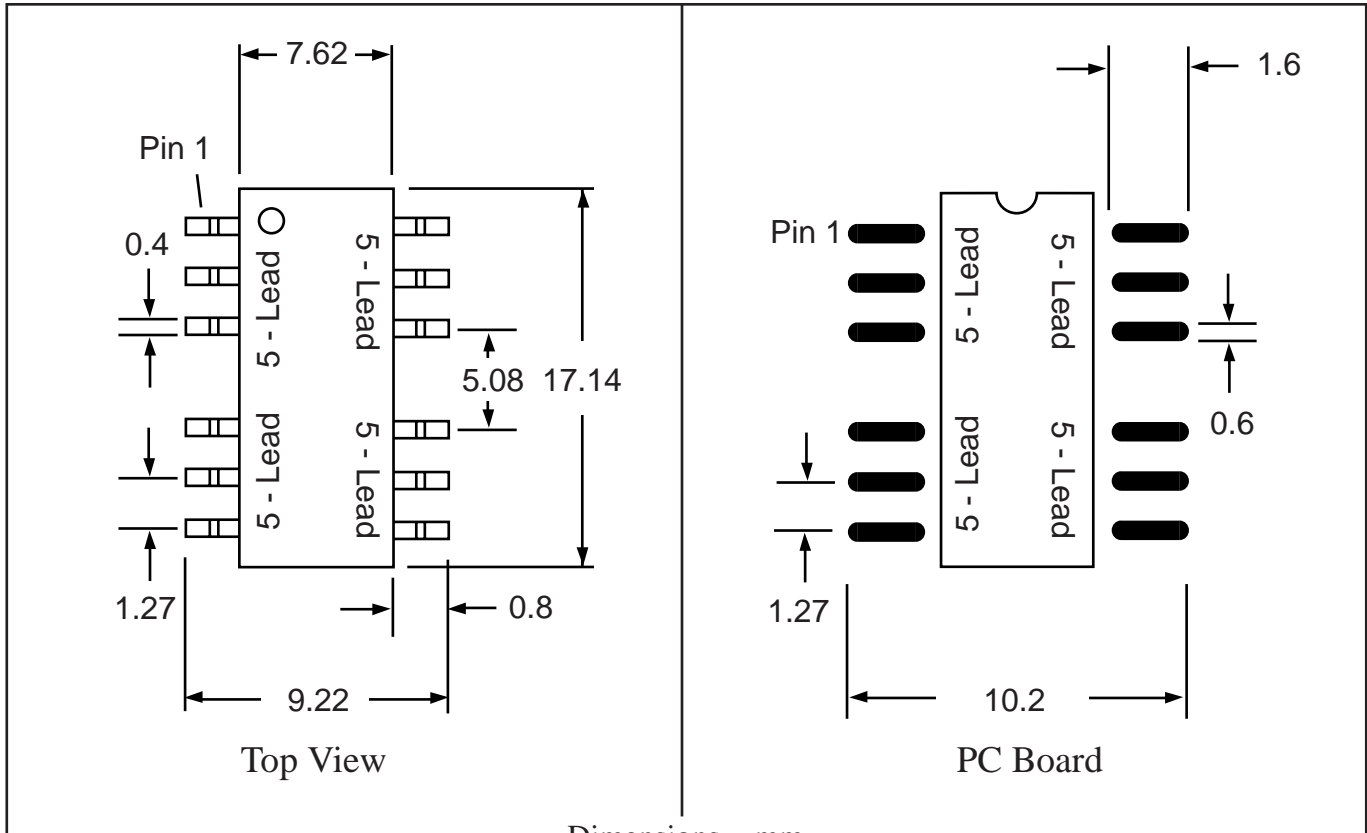
LEAD		CASE SIZE EXCLUDES LEADS	TAPE INFO		Tray Part Number		13" (330mm) Tape & Reel Part Number	
NBR	PITCH		WIDTH	PITCH	XO1	QTY	XO1	QTY
20/26	1.27mm	7.6 x 17.14mm	24mm	12mm	TSOP20/26T50-T2	176	TSOP20/26E13A50-T2	500~1000
24/28	1.27mm	10 x 18.4mm	32mm	16mm	TSOP24/28T50-T2	135	TSOP24/28E13A50-T2	500~1000
28	1.27mm	10 x 18.4mm	32mm	16mm	TSOP28T50-T2	135	TSOP28E13A50-T2	500~1000
32	1.27mm	10 x 21.0mm	32mm	16mm	TSOP32T50-T2	117	TSOP32E13A50-T2	500~1000
40/44	0.8mm	10 x 18.4mm	32mm	16mm	TSOP40/44T30-T2	135	TSOP40/44E13A30-T2	500~1000
44	0.8mm	10 x 18.4mm	32mm	16mm	TSOP44T30-T2	135	TSOP44E13A30-T2	500~1000
44/50	0.8mm	10 x 21mm	32mm	16mm	TSOP44/50T30-T2	117	TSOP44/50E13A30-T2	500~1000
50	0.8mm	10 x 21mm	32mm	16mm	TSOP50T30-T2	117	TSOP50E13A30-T2	500~1000
54	0.8mm	10 x 22.2mm	32mm	16mm	TSOP54T30-T2	108	TSOP54E13A30-T2	500~1000



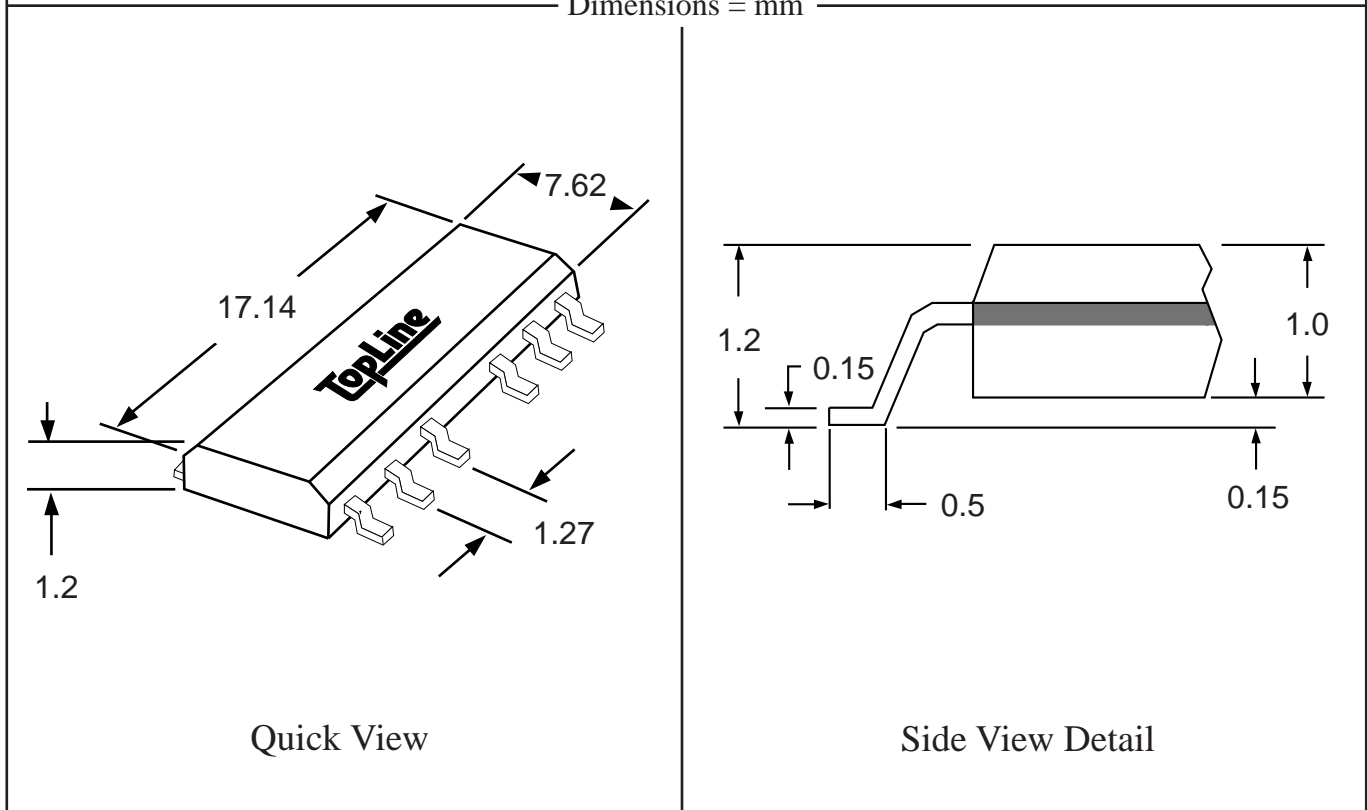
**I
N
F
O** TSOP Type II have leads protruding from the wide side of the package. Maximum seated height is 1.2mm. Tray and tape quantities may vary. For Daisy Chain "Even" available on special order, add -DE to end of part number. For completely isolated (no internal connections) add -ISO to end of part number. TSOP contain internal die. Solder plated leads Sn85/Pb15.

Part # **TSOP20/26T50-T2**
 Leads **20/26** Pitch **1.27mm**
 Body Size **7.62 x 17.14mm**

TopLine™
 Tel 1-714-898-3830
 info@topline.tv

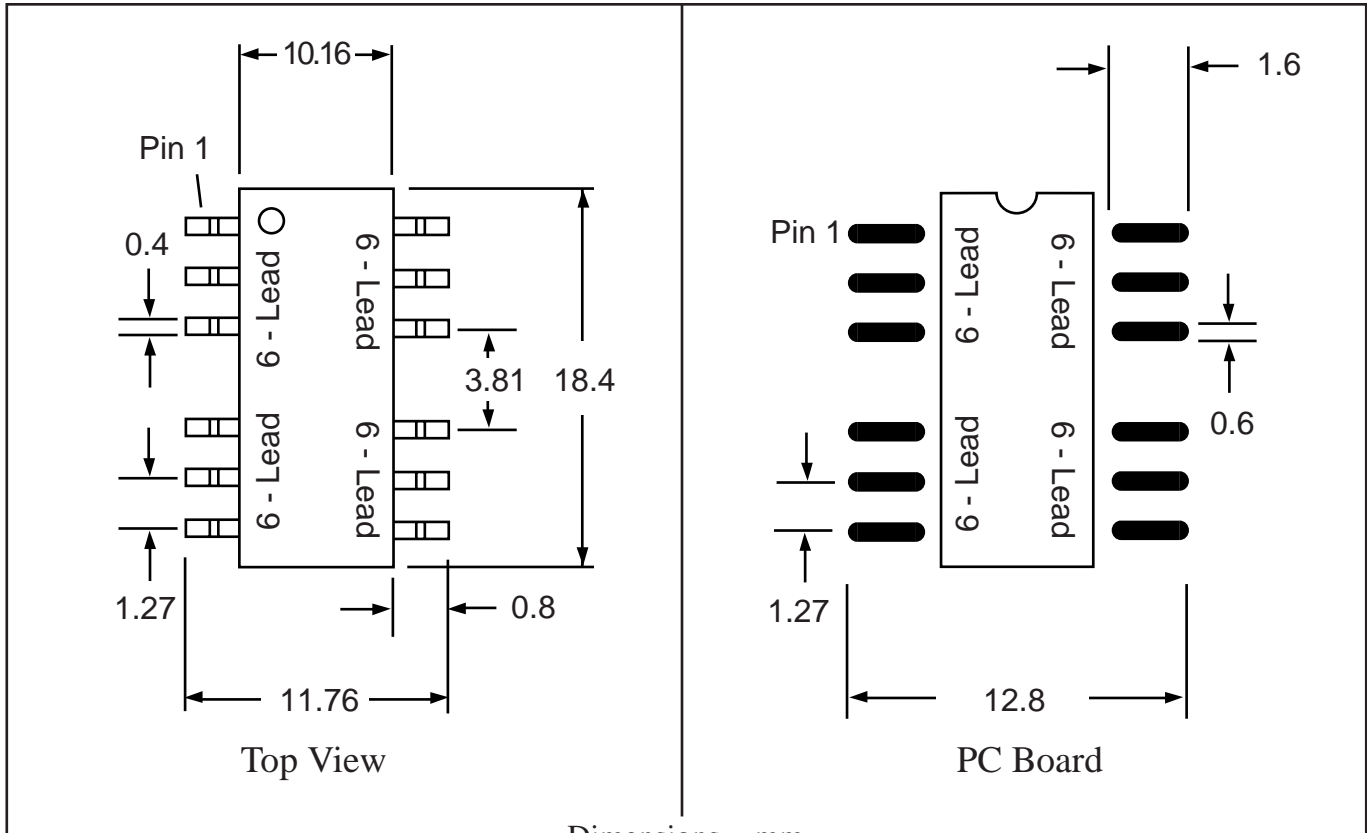


Dimensions = mm

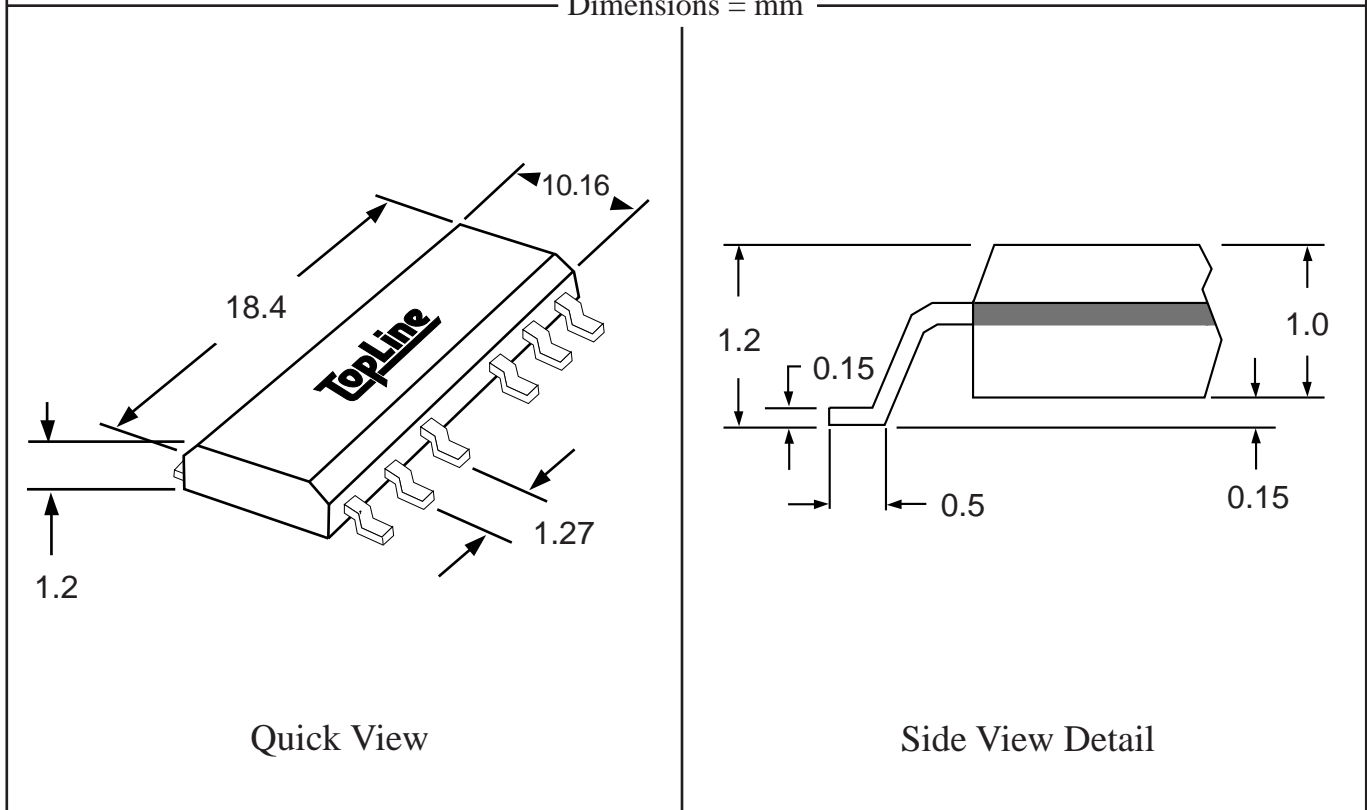


Part # **TSOP24/28T50-T2**
 Leads **24/28** Pitch **1.27mm**
 Body Size **10.16 x 18.4mm**

TopLine™
 Tel 1-714-898-3830
 info@topline.tv



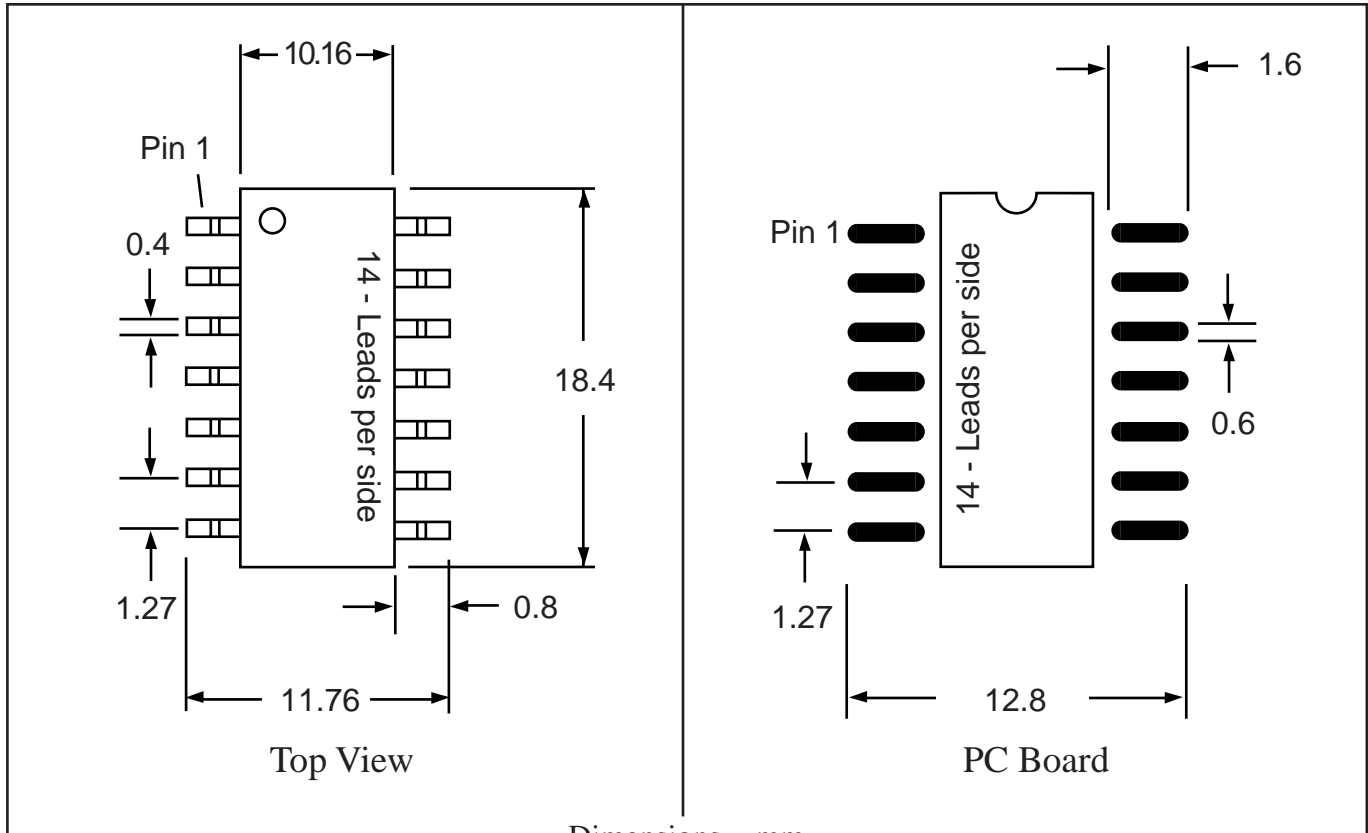
Dimensions = mm



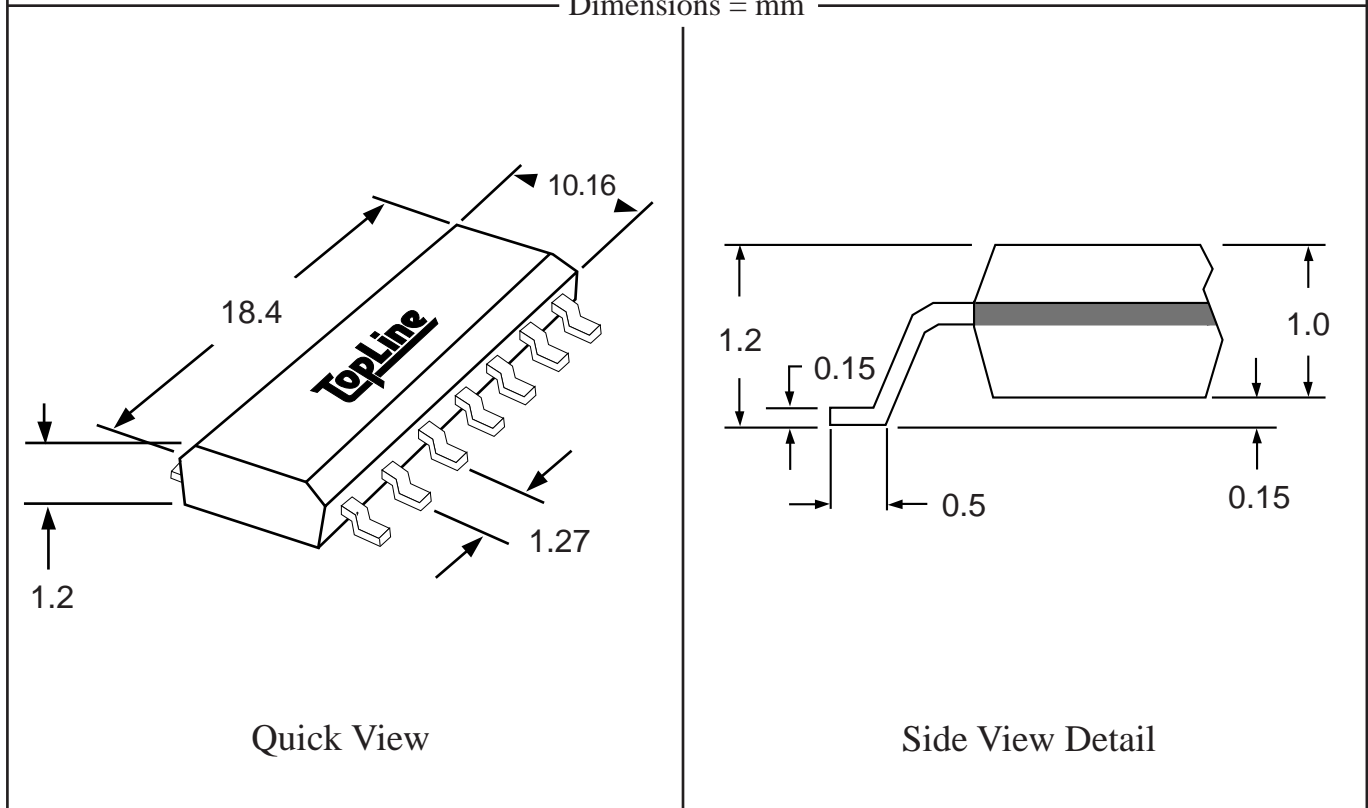
Part # **TSOP28T50-T2**
 Leads **28** Pitch **1.27mm**
 Body Size **10.16 x 18.4mm**



Tel 1-714-898-3830
 info@topline.tv

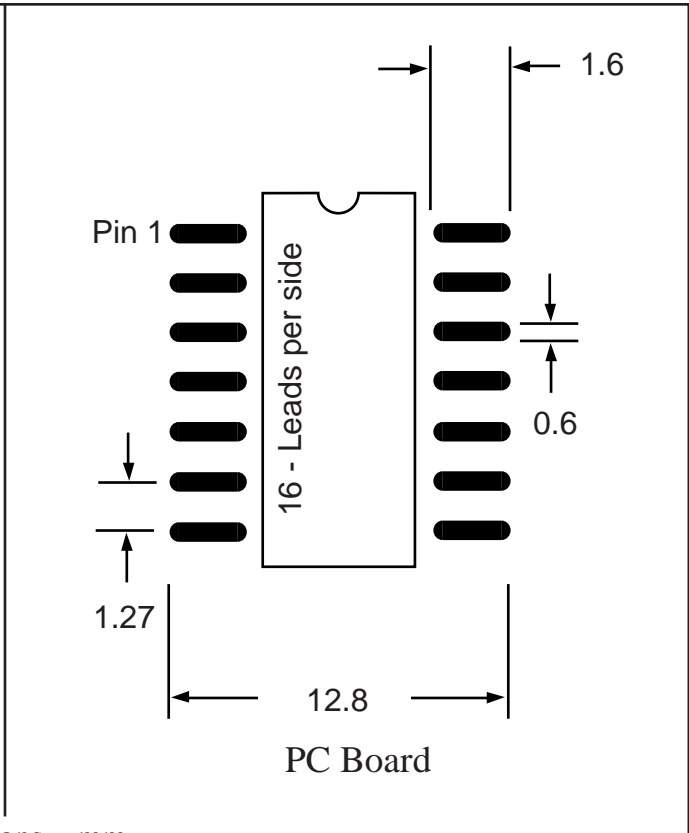
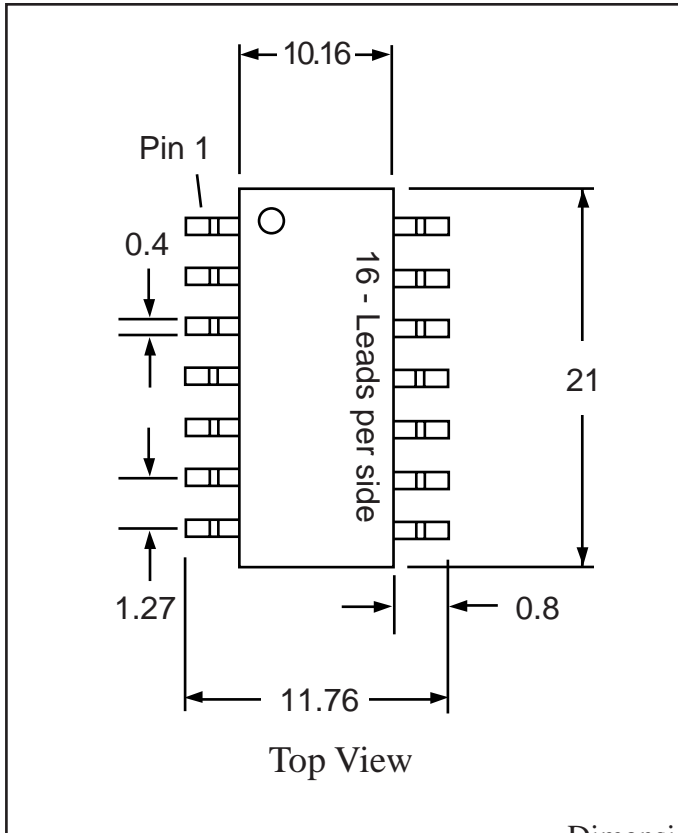


Dimensions = mm

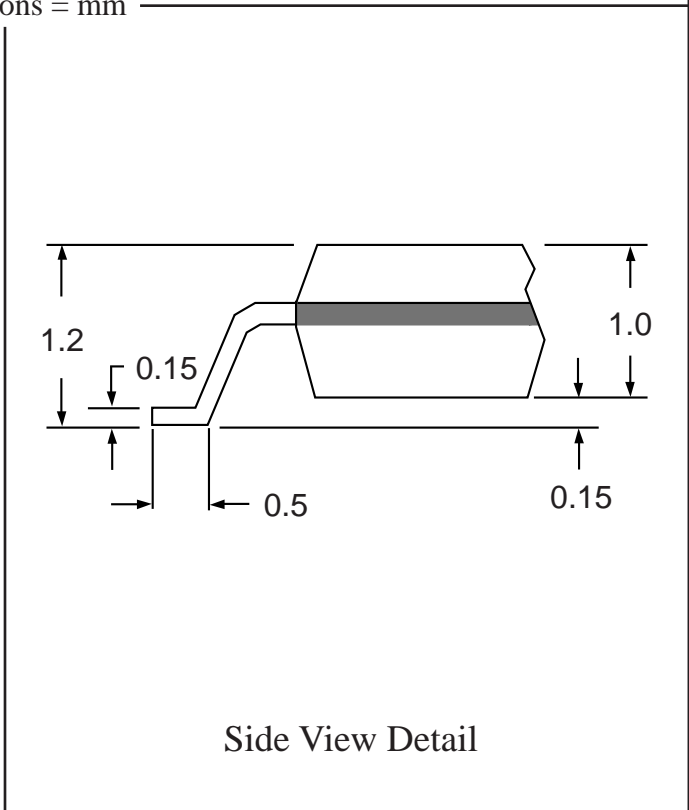
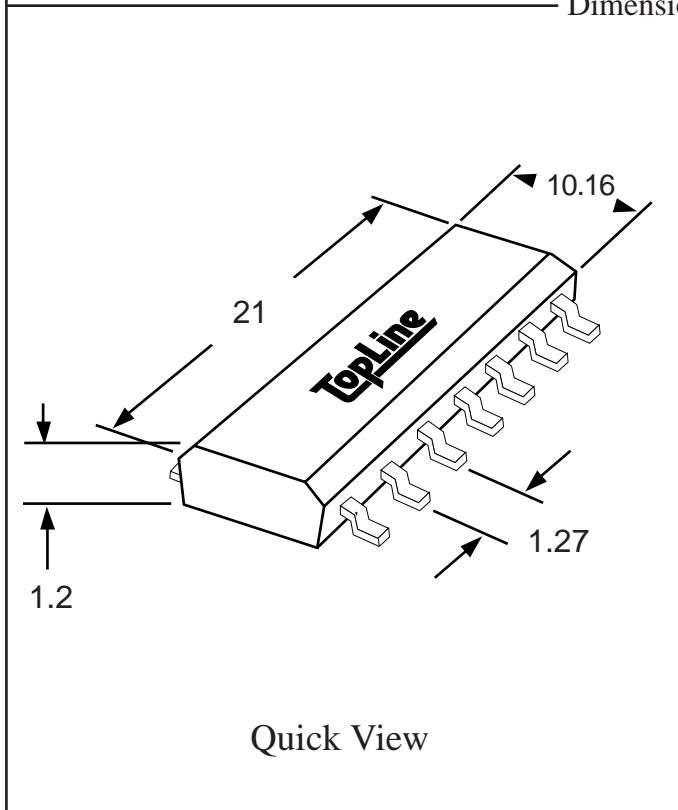


Part # **TSOP32T50-T2**
 Leads **32** Pitch **1.27mm**
 Body Size **10.16 x 21mm**

TopLineTM
 Tel 1-714-898-3830
 info@topline.tv

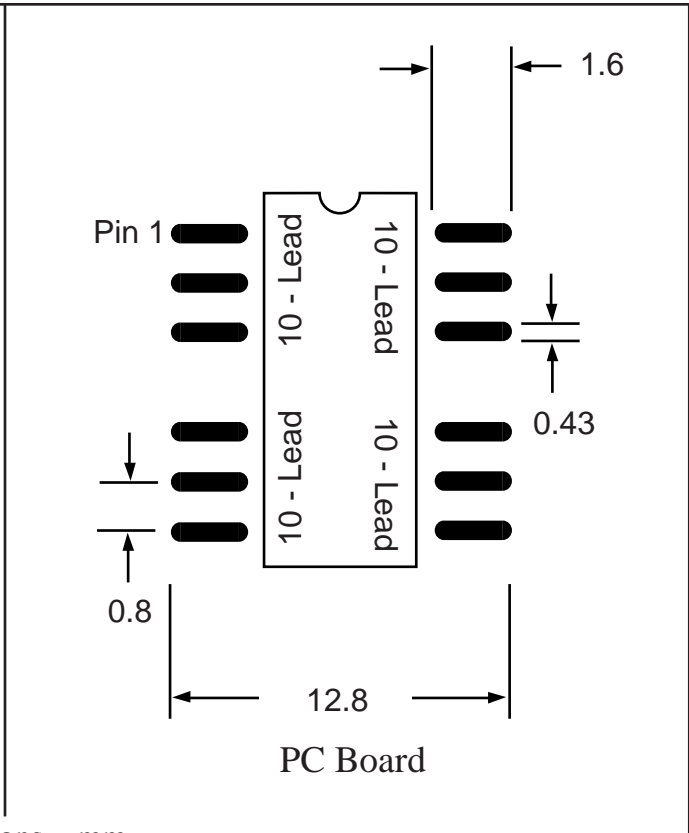
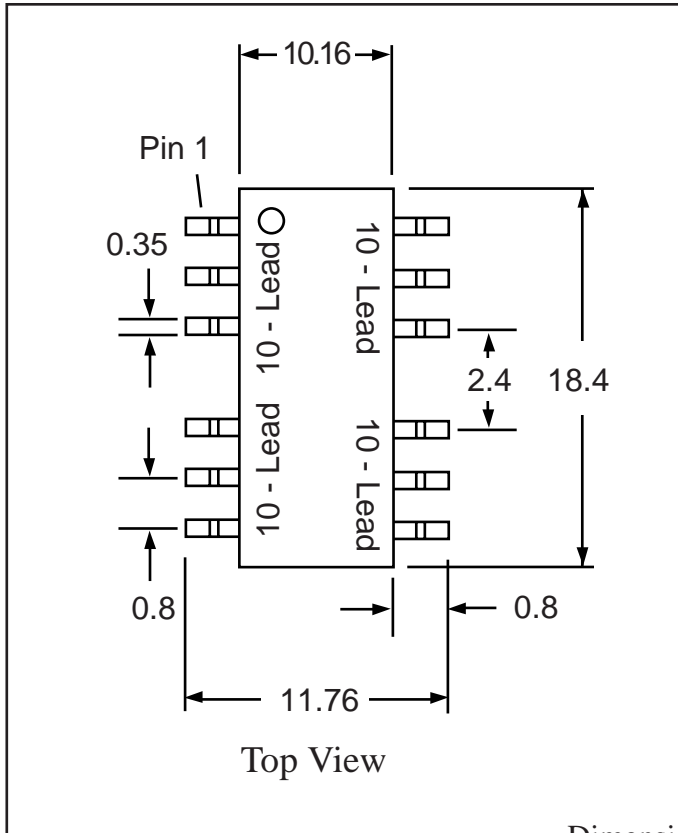


Dimensions = mm

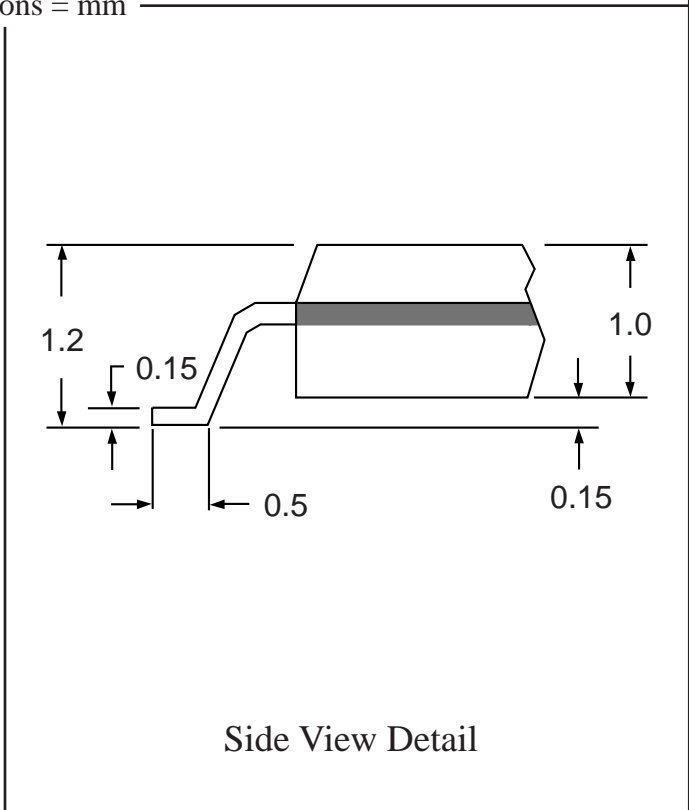
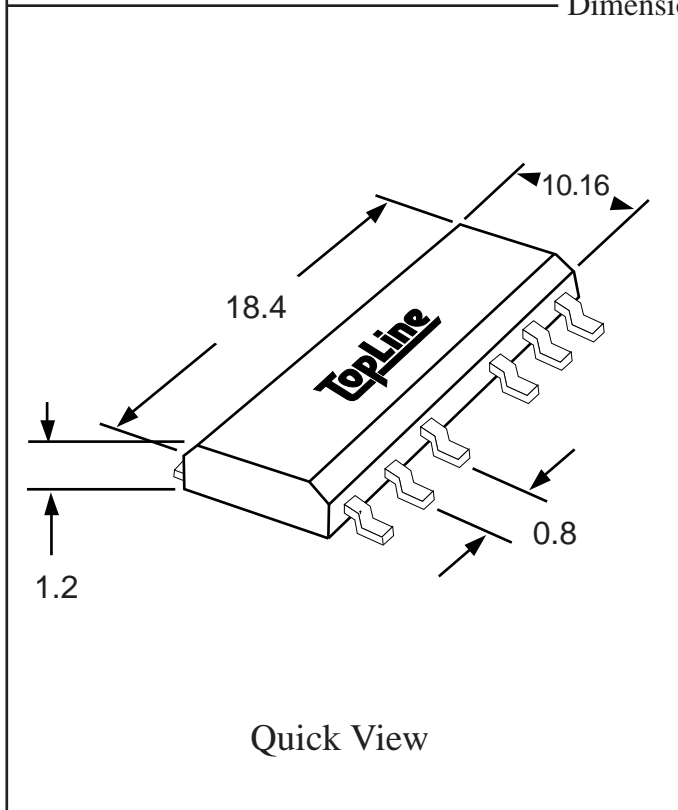


Part # **TSOP40/44T30-T2**
 Leads **40/44** Pitch **0.8mm**
 Body Size **10.16 x 18.4mm**

TopLine™
 Tel 1-714-898-3830
 info@topline.tv

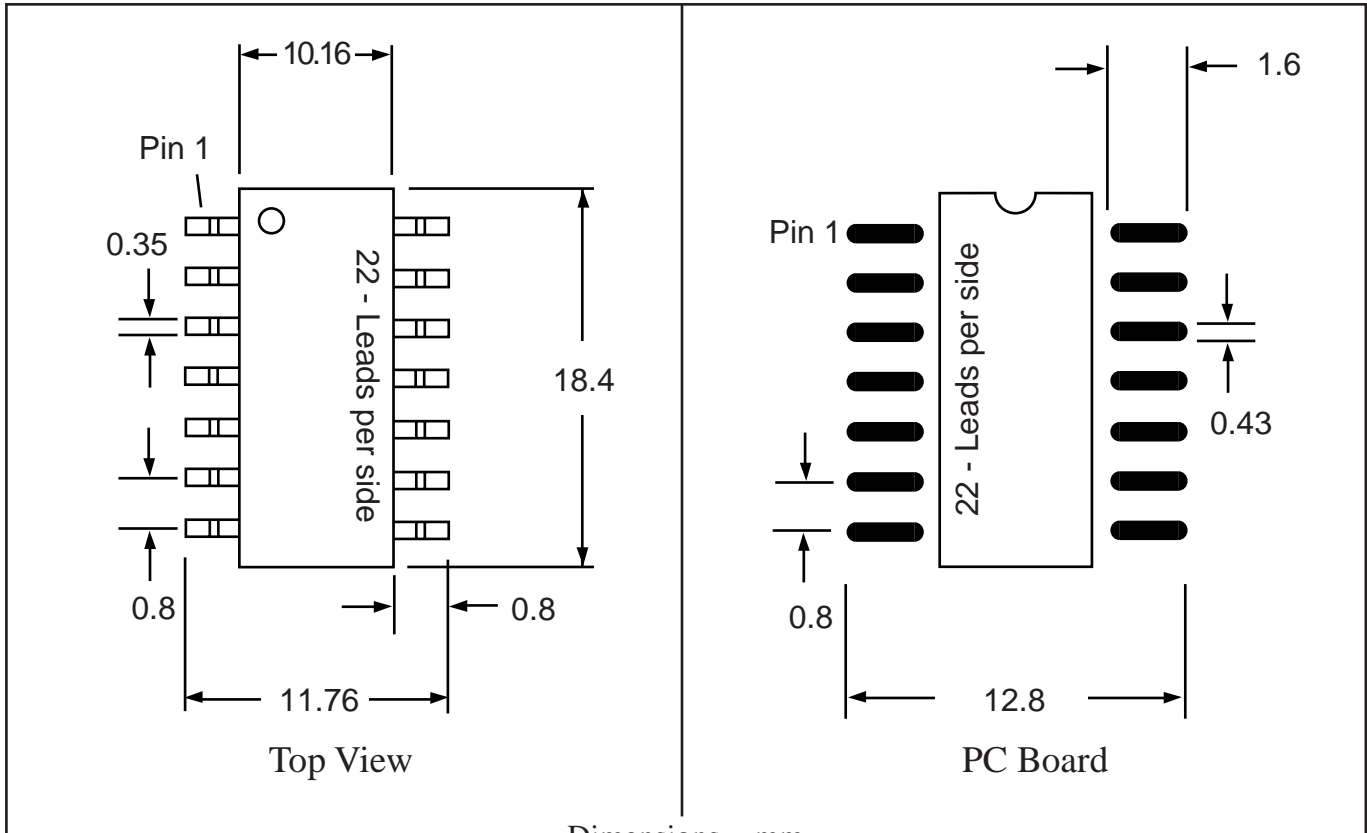


Dimensions = mm

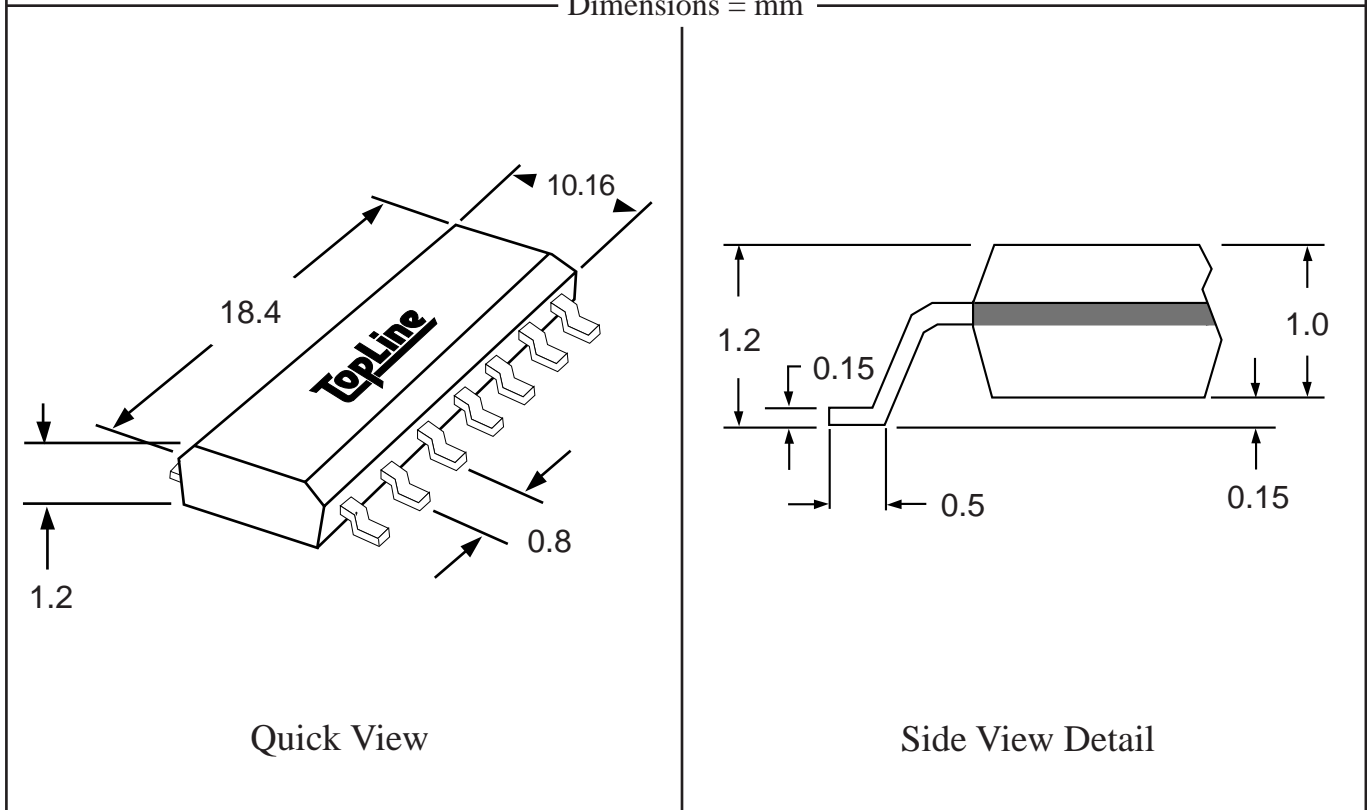


Part # **TSOP44T30-T2**
 Leads **44** Pitch **0.8mm**
 Body Size **10.16 x 18.4mm**

TopLine™
 Tel 1-714-898-3830
 info@topline.tv

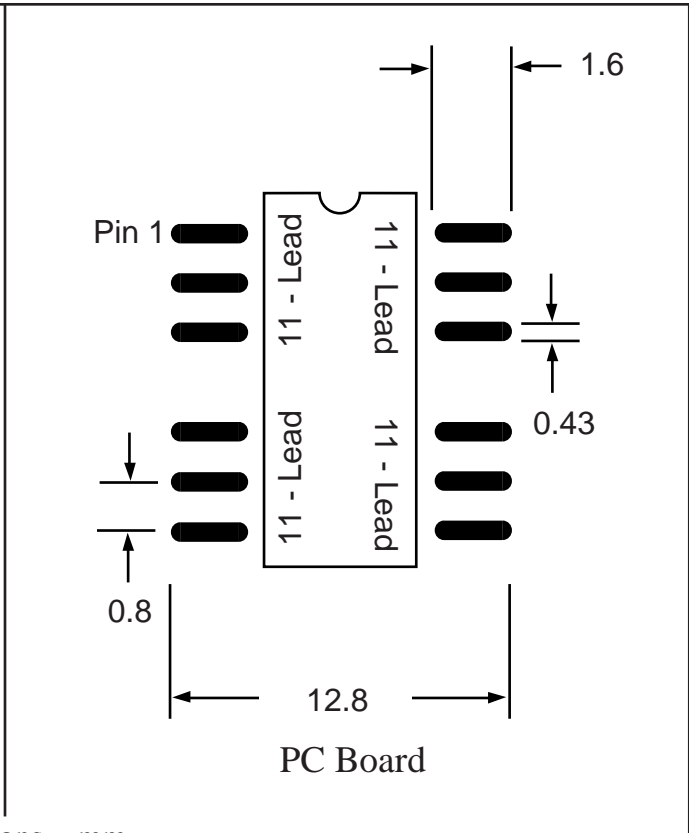
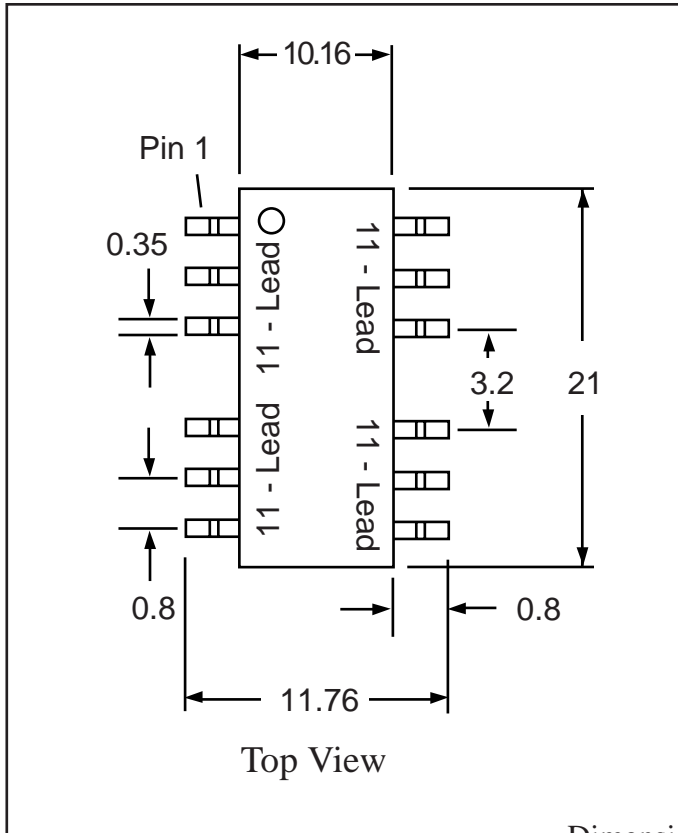


Dimensions = mm

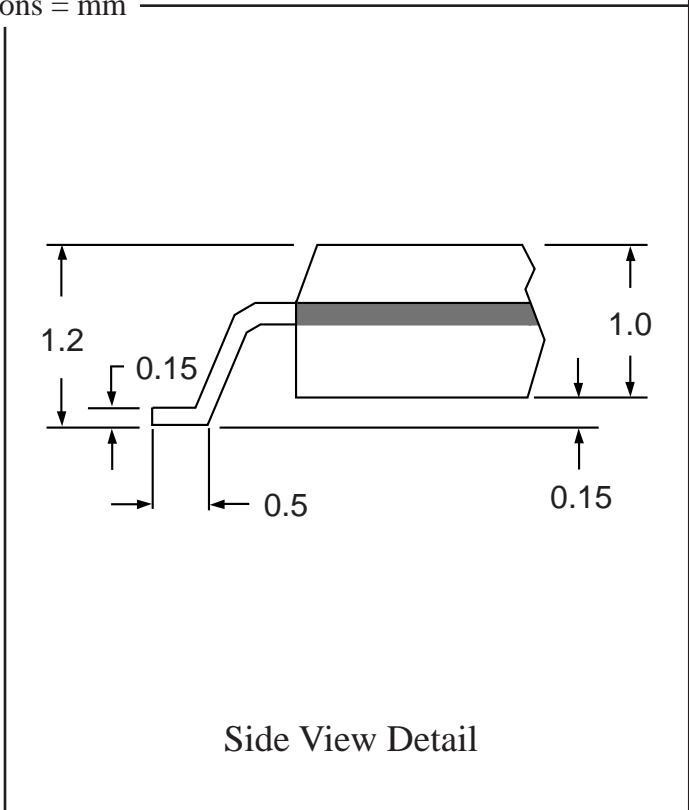
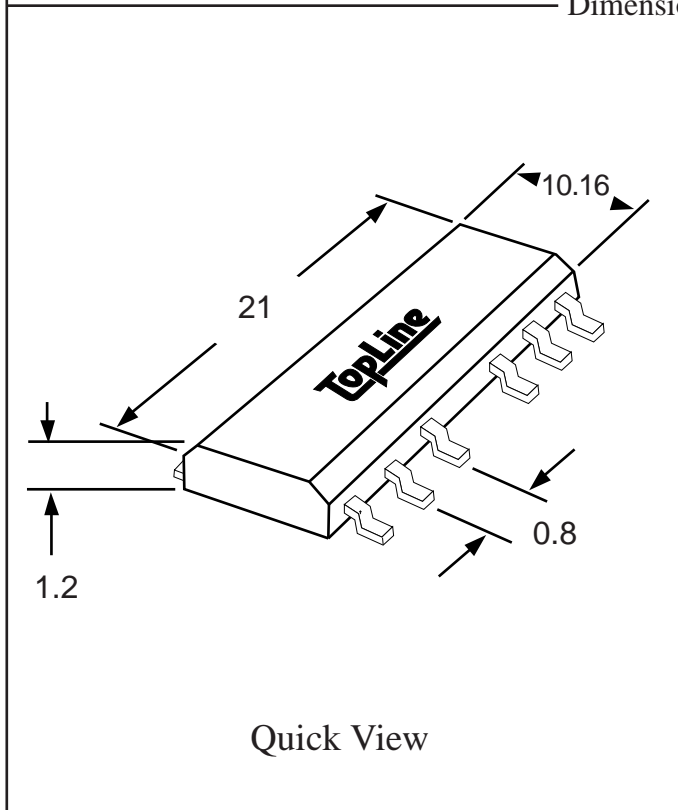


Part # **TSOP44/50T30-T2**
 Leads **44/50** Pitch **0.8mm**
 Body Size **10.16 x 21mm**

TopLine™
 Tel 1-714-898-3830
 info@topline.tv

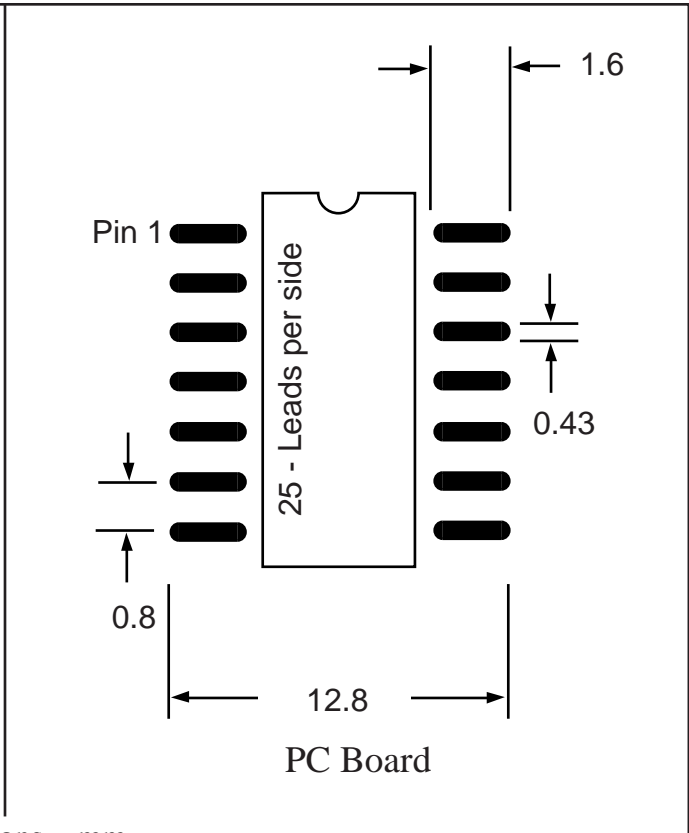
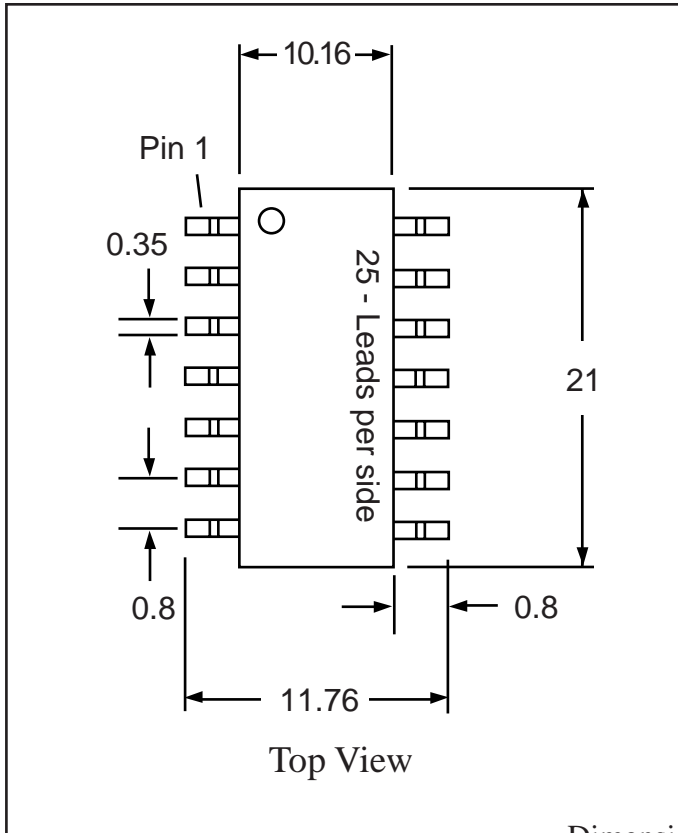


Dimensions = mm

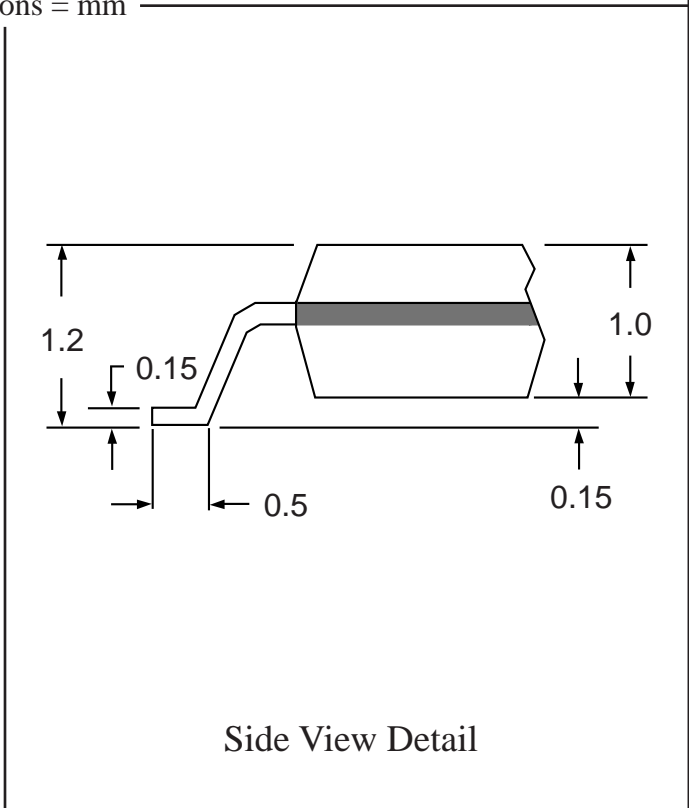
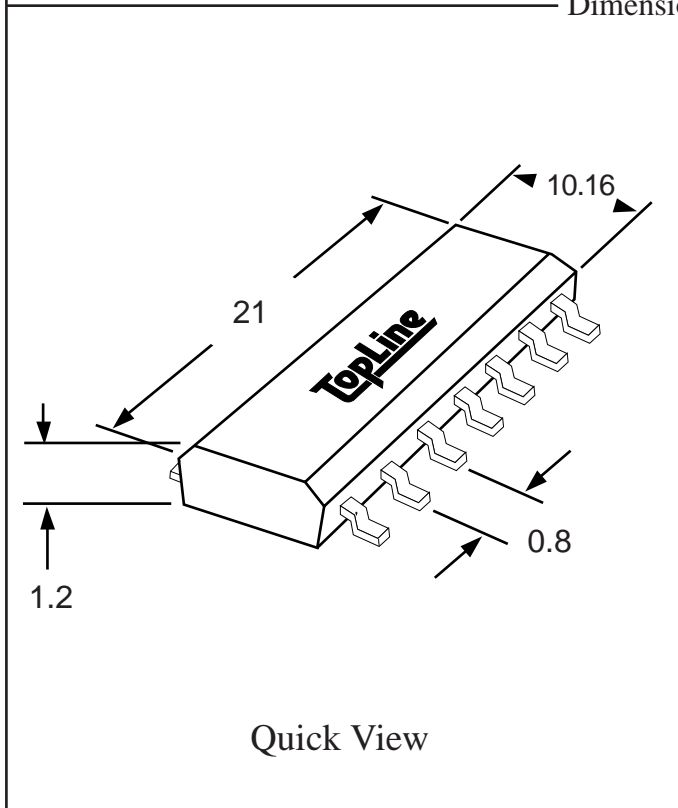


Part # **TSOP50T30-T2**
 Leads **50** Pitch **0.8mm**
 Body Size **10.16 x 21mm**

TopLineTM
 Tel 1-714-898-3830
 info@topline.tv



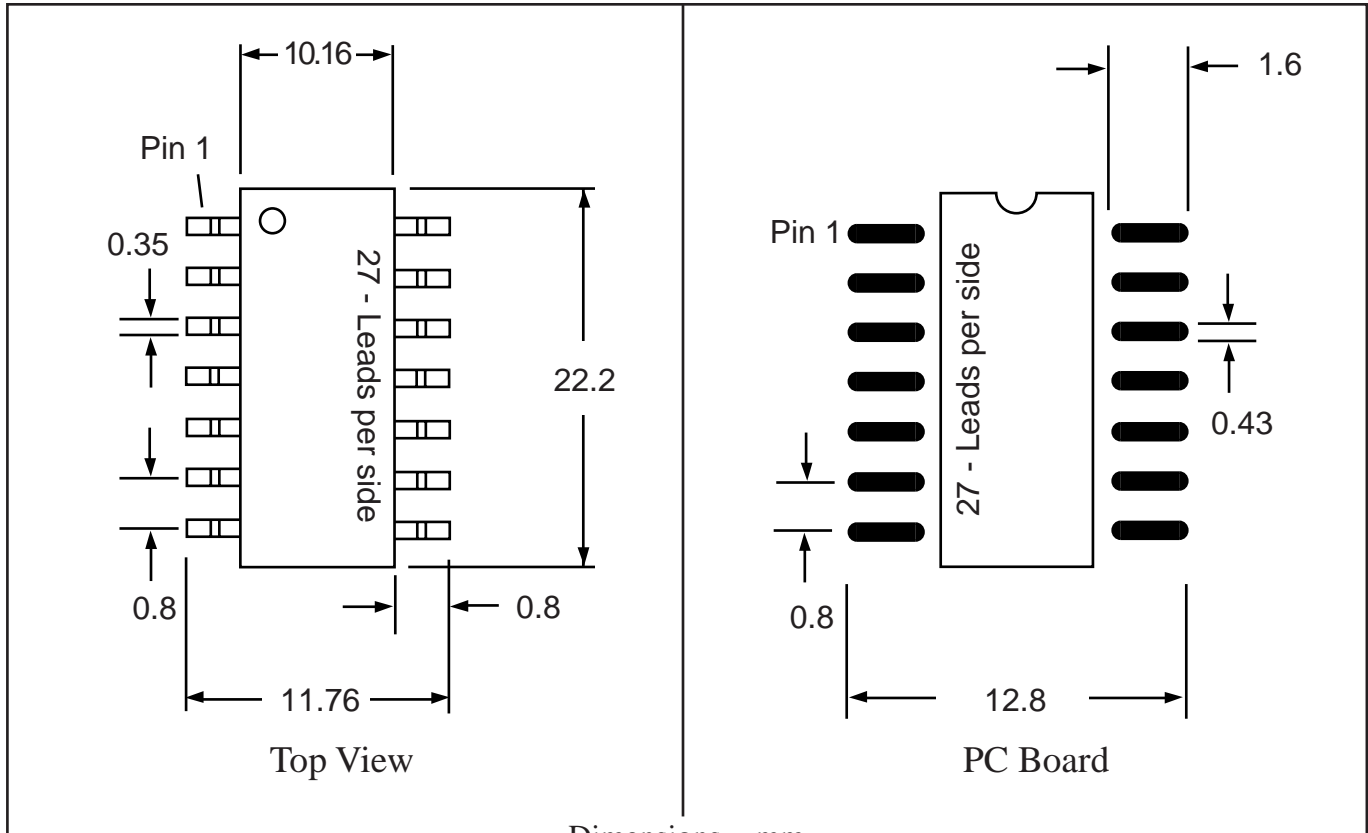
Dimensions = mm



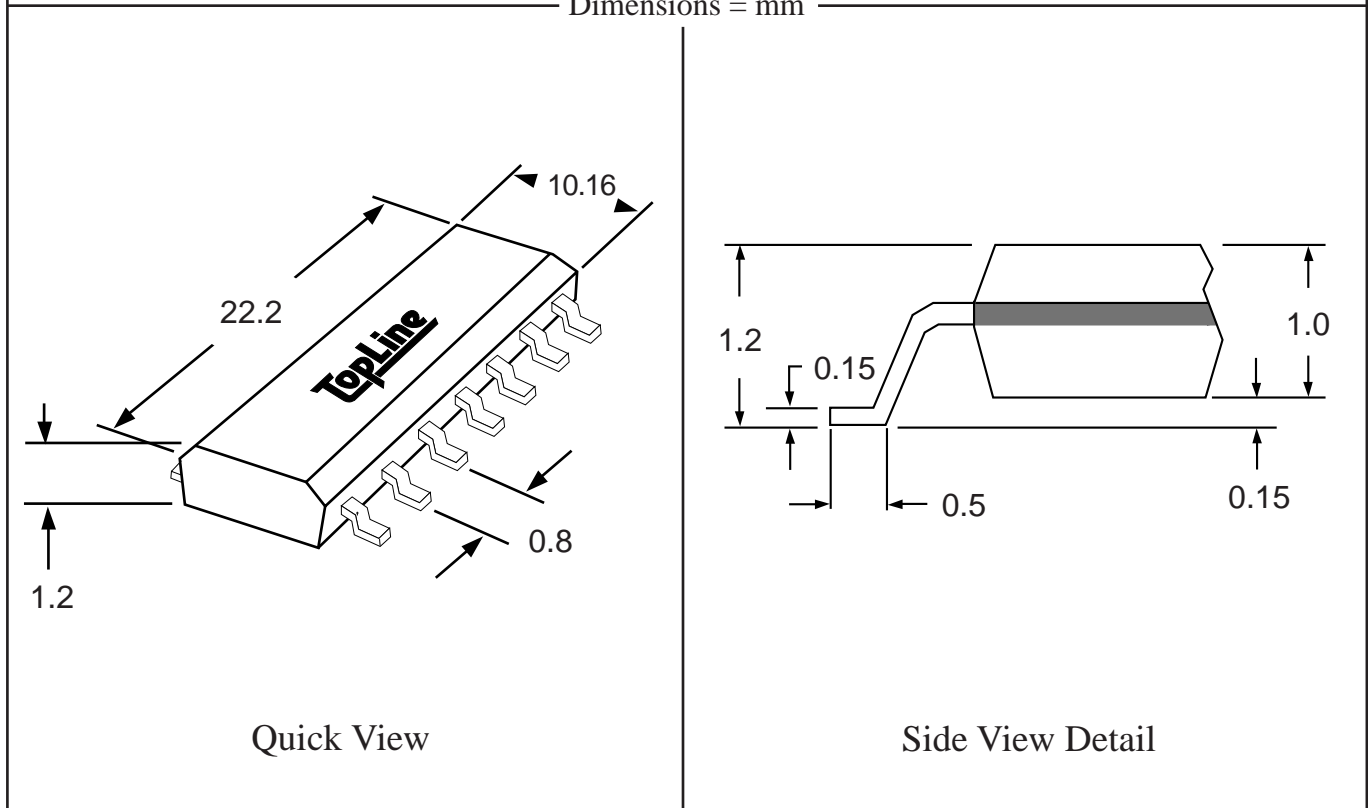
Part # **TSOP54T30-T2**
 Leads **54** Pitch **0.8mm**
 Body Size **10.16 x 22.2mm**



Tel 1-714-898-3830
 info@topline.tv



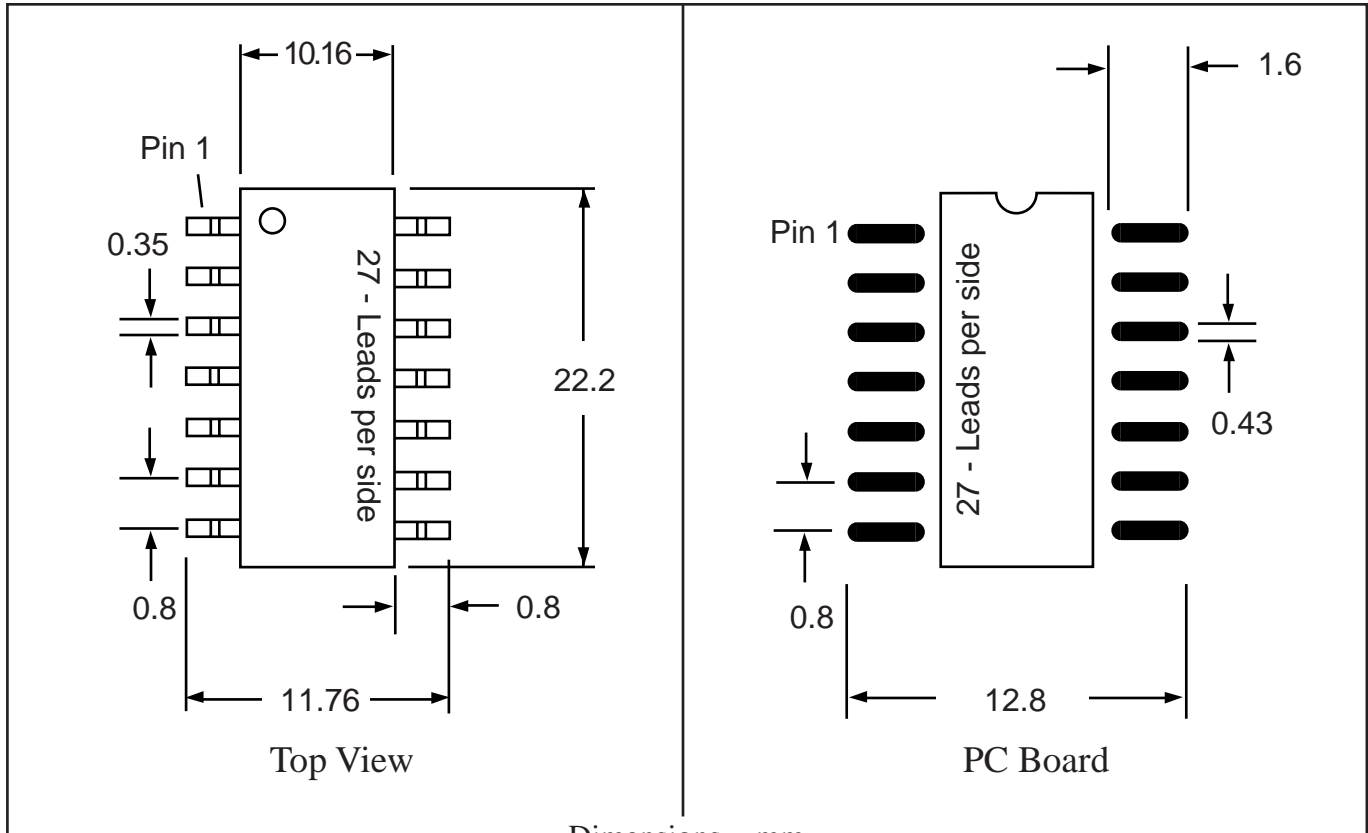
Dimensions = mm



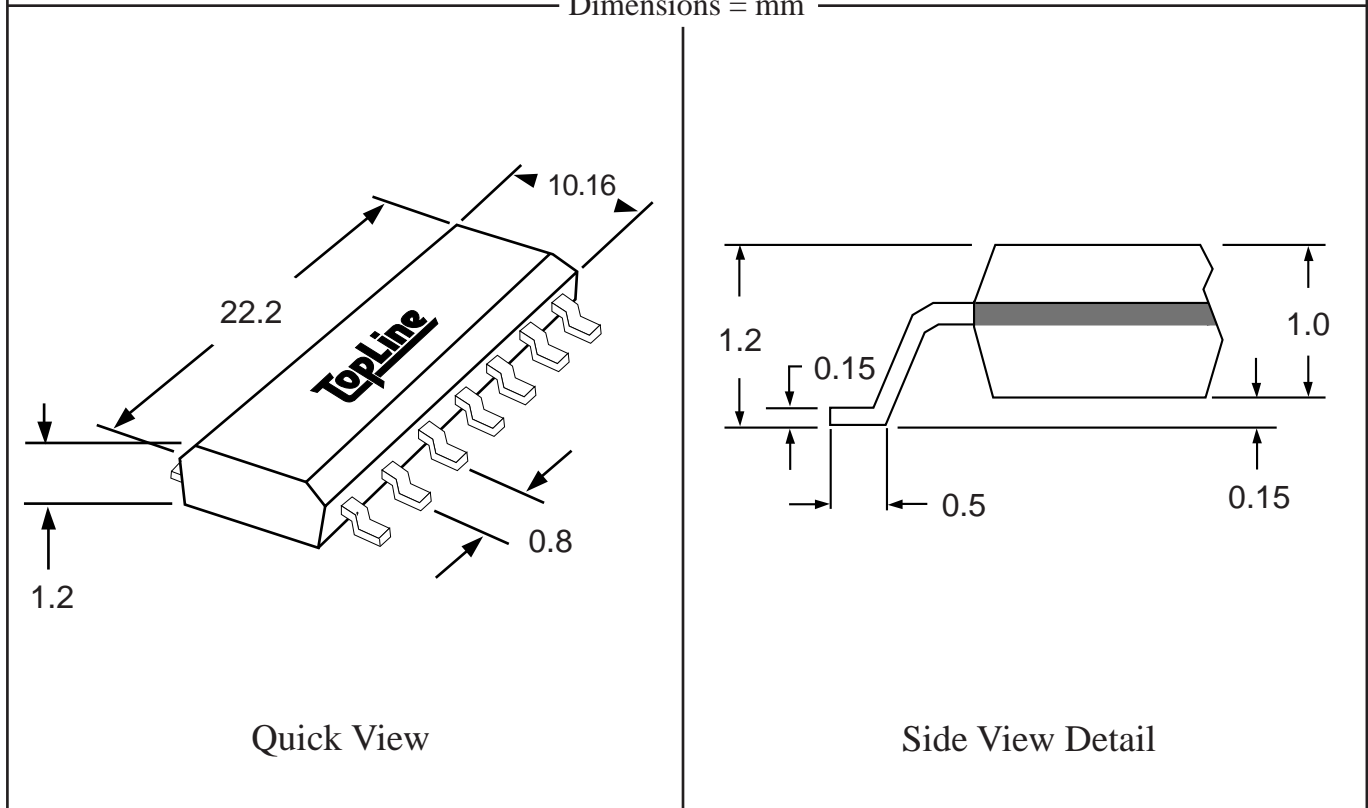
Part # **TSOP54T30-T2**
 Leads **54** Pitch **0.8mm**
 Body Size **10.16 x 22.2mm**



Tel 1-714-898-3830
 info@topline.tv



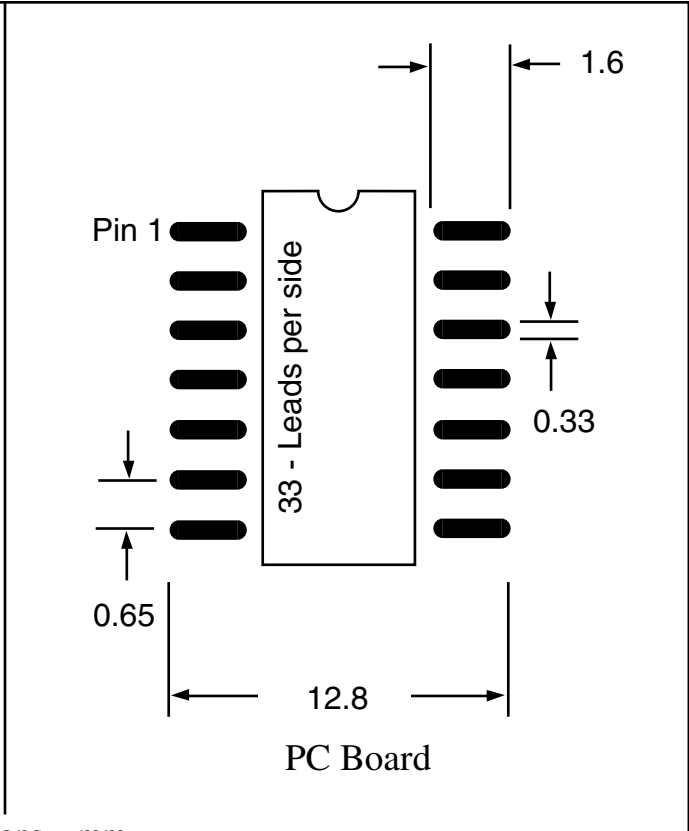
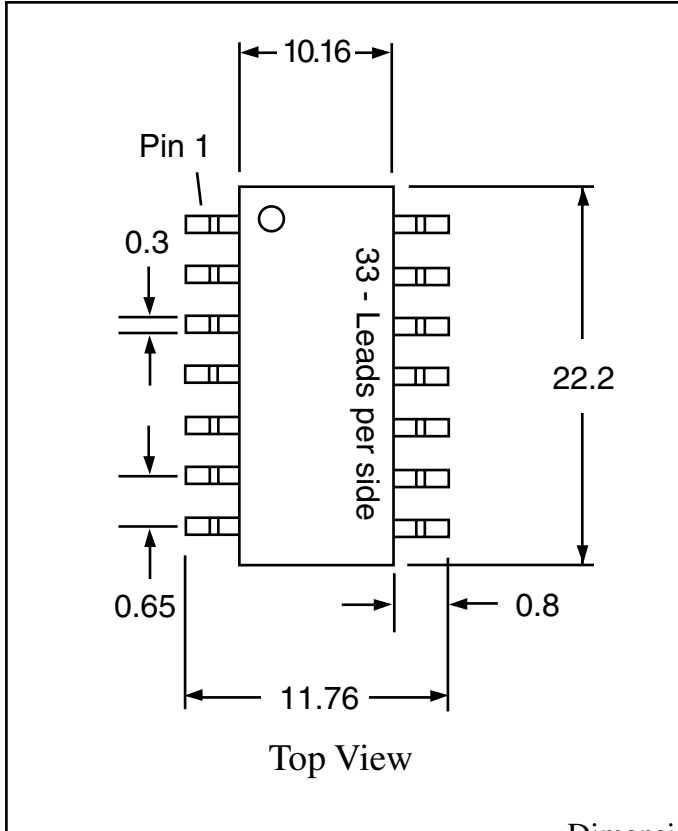
Dimensions = mm



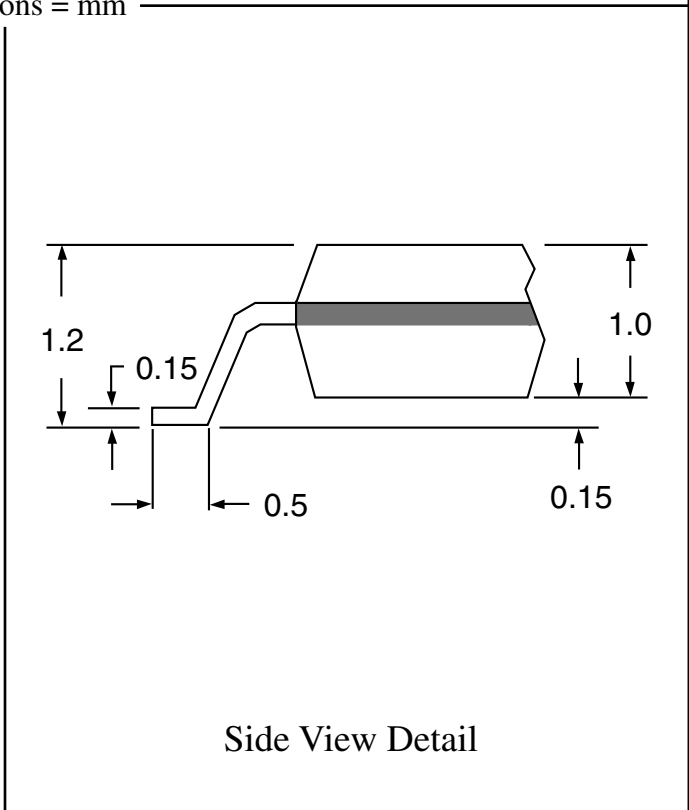
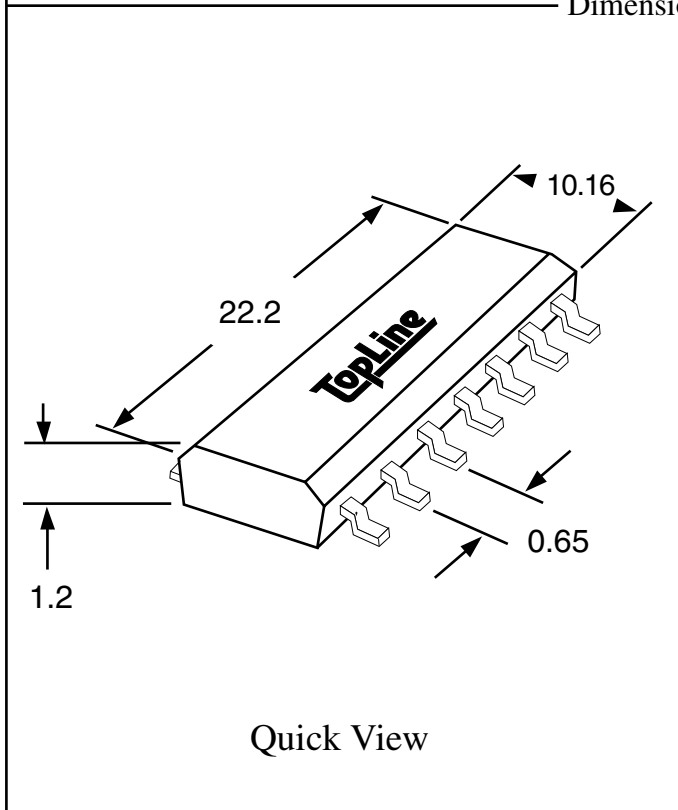
Part # **TSOP66T25-T2**
 Leads **66** Pitch **0.65mm**
 Body Size **10.16 x 22.2mm**



Tel 1-714-898-3830
 info@topline.tv



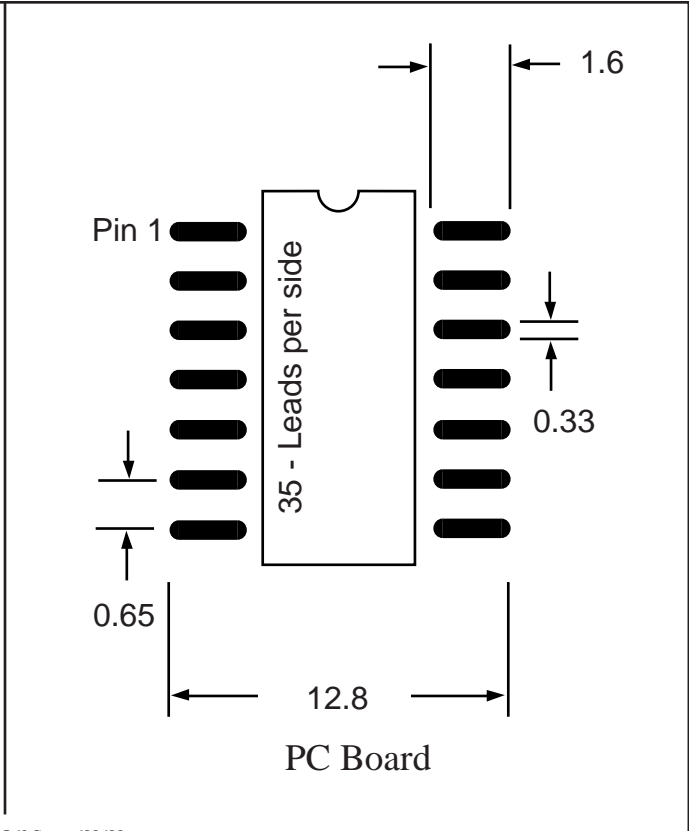
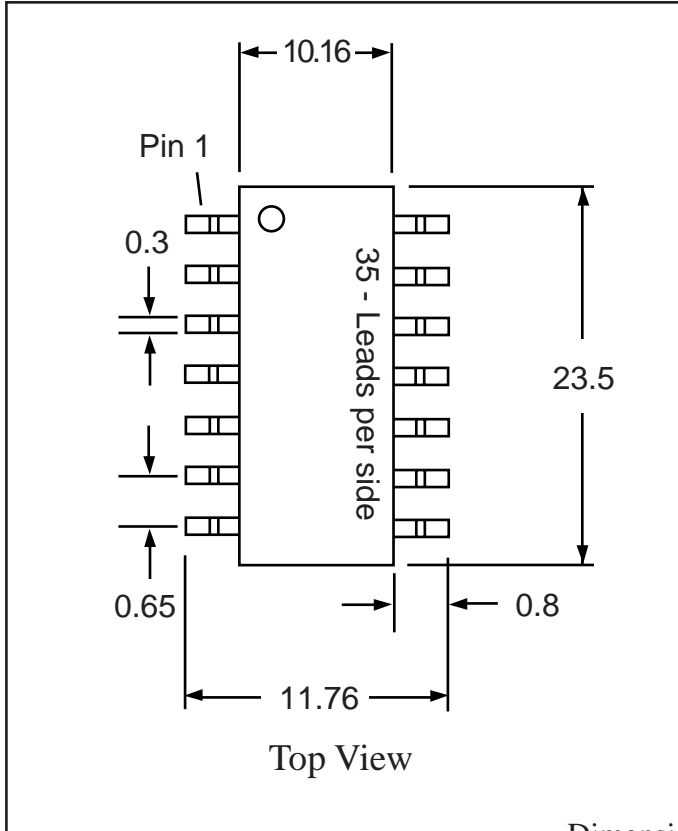
Dimensions = mm



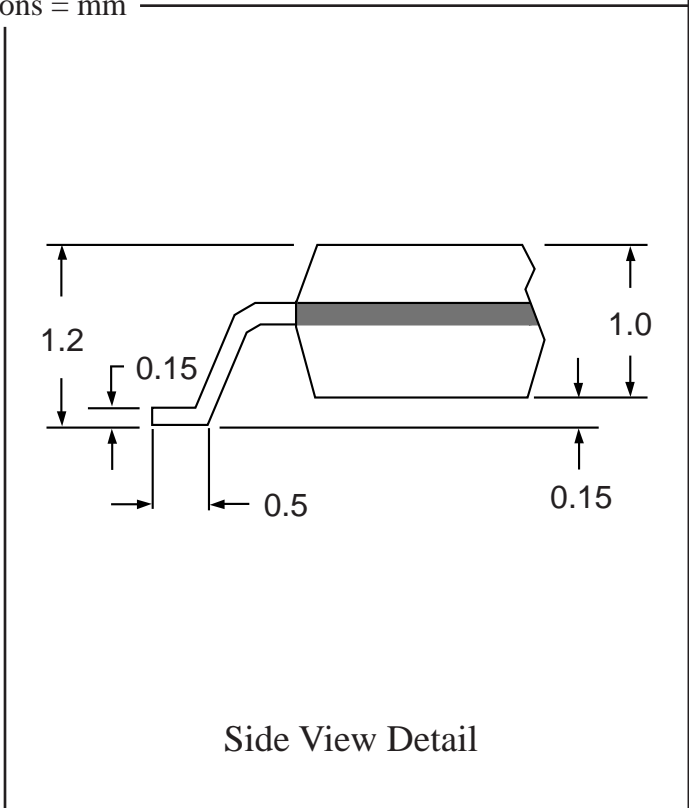
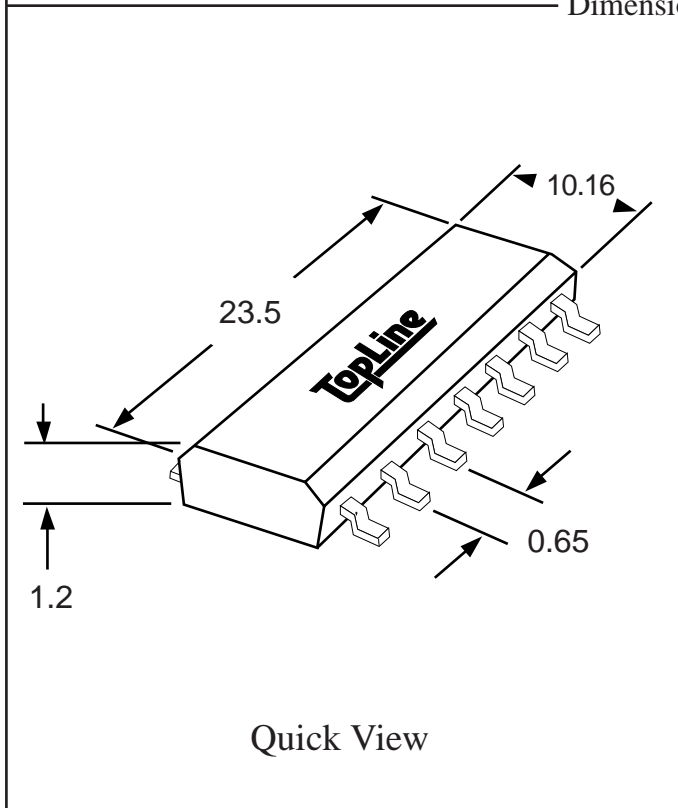
Part # **TSOP70T25-T2**
 Leads **70** Pitch **0.65mm**
 Body Size **10.16 x 23.5mm**



Tel 1-714-898-3830
 info@topline.tv

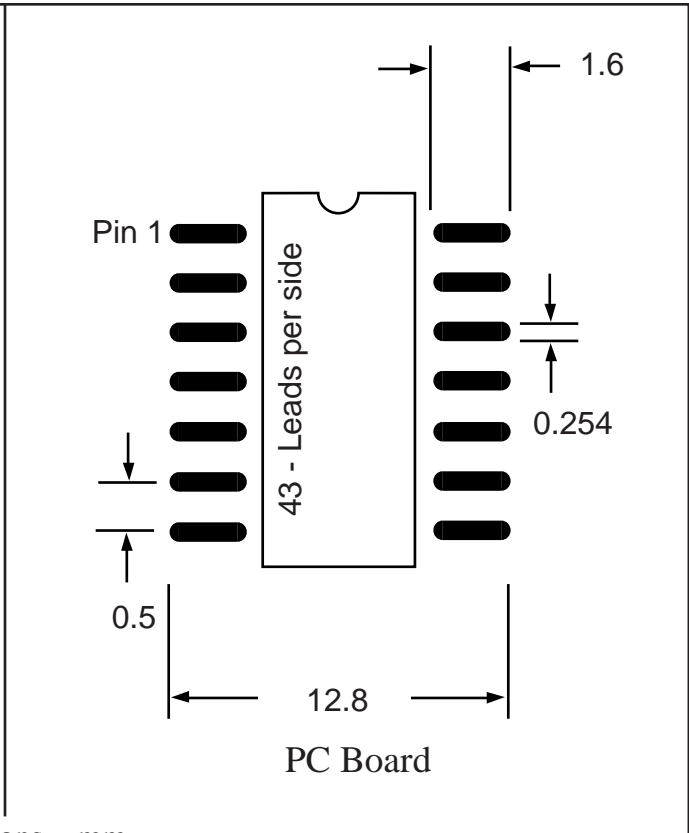
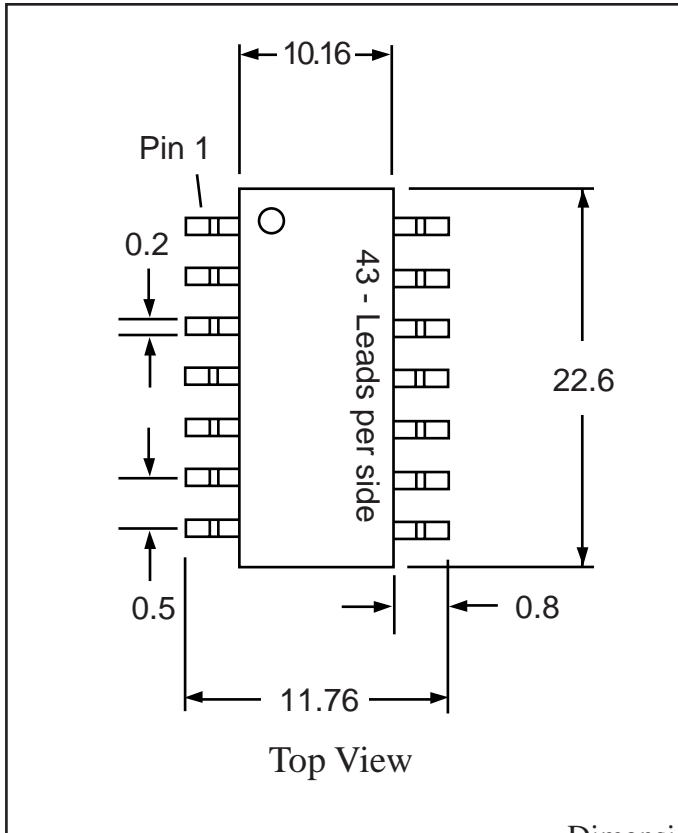


Dimensions = mm



Part # **TSOP86T19.7-T2**
 Leads **86** Pitch **0.5mm**
 Body Size **10.16 x 22.6mm**

TopLine™
 Tel 1-714-898-3830
 info@topline.tv



Dimensions = mm

