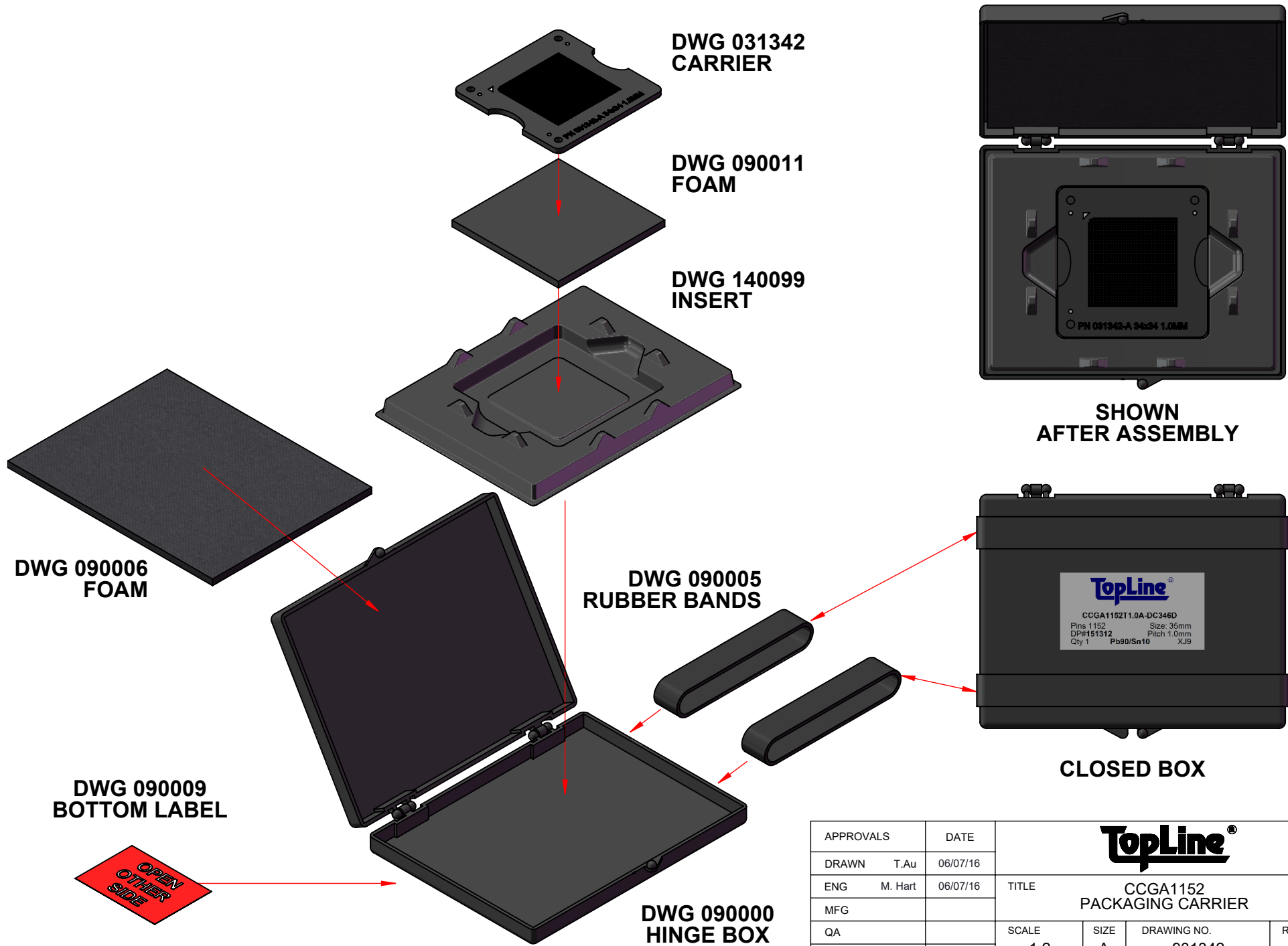


EXPLODED VIEW



DWG 031342
CARRIER

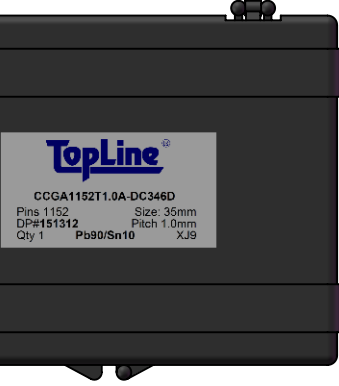
DWG 090011
FOAM

DWG 140099
INSERT

DWG 090006
FOAM

DWG 090005
RUBBER BANDS

SHOWN
AFTER ASSEMBLY



CLOSED BOX

DWG 090009
BOTTOM LABEL



DWG 090000
HINGE BOX

APPROVALS	DATE	TopLine®			
DRAWN T. Au	06/07/16				
ENG M. Hart	06/07/16	TITLE CCGA1152 PACKAGING CARRIER			
MFG		SCALE	SIZE	DRAWING NO.	REV
QA		1:2	A	931342	A
CUST		DO NOT SCALE DRAWING			SHEET 1 OF 10
REVISED					

LABEL PLACEMENT

TOP LABEL
CONTENTS
INDENTIFICATION

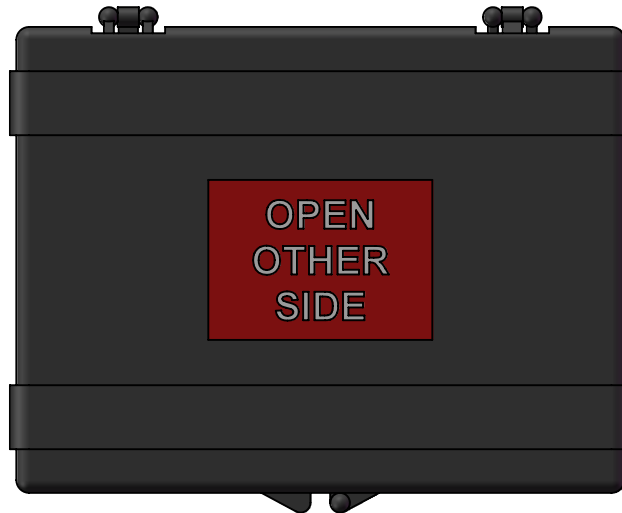


RUBBER BAND
2 PLACES

FRONT VIEW

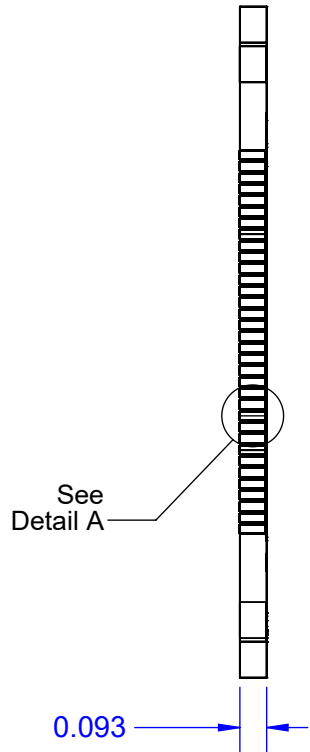


DWG 090009
BOTTOM LABEL

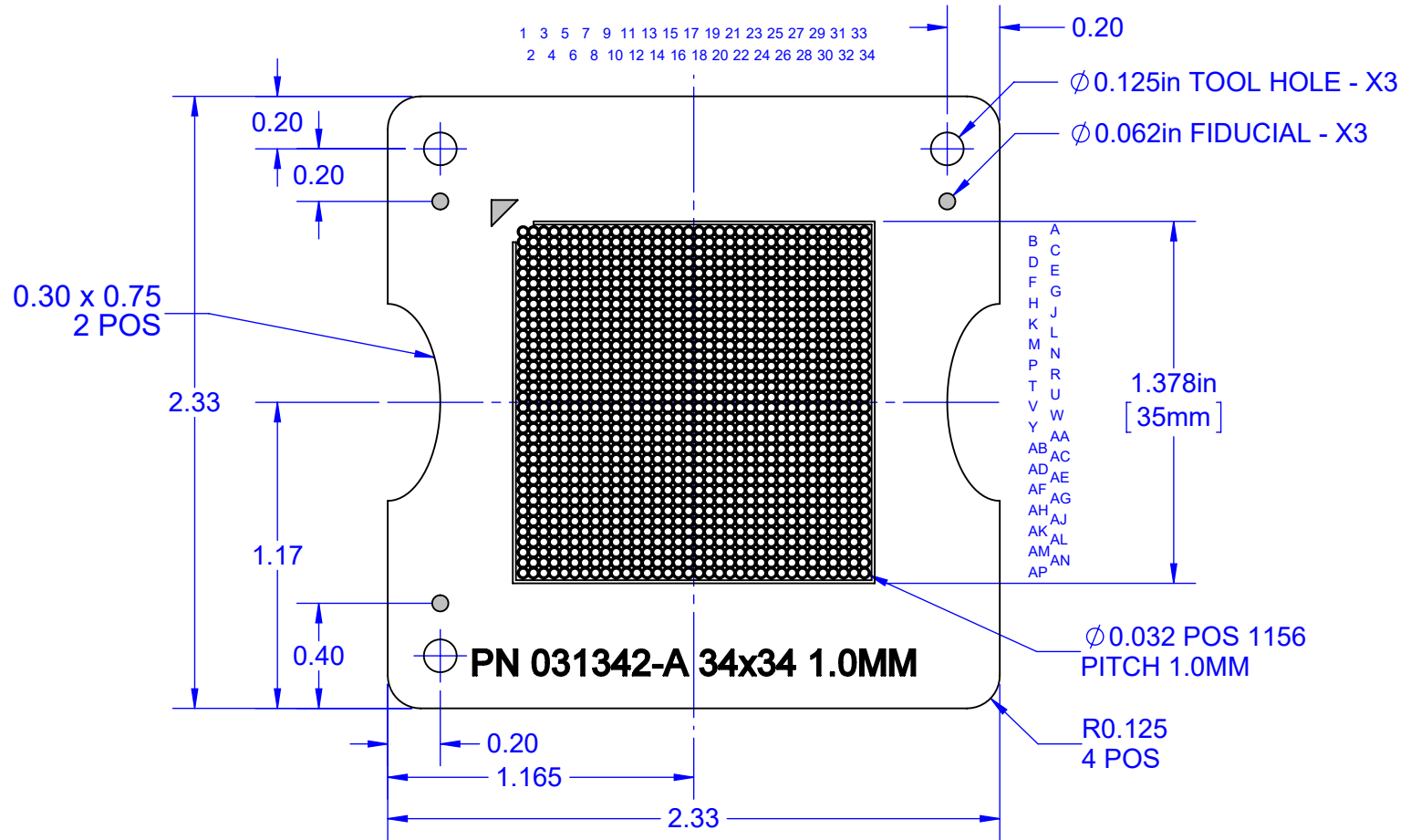


TopLine®			
TITLE CCGA1152 PACKAGING CARRIER			
SCALE 2:3	SIZE A	DRAWING NO. 931342	REV A
DO NOT SCALE DRAWING		SHEET 2 OF 10	

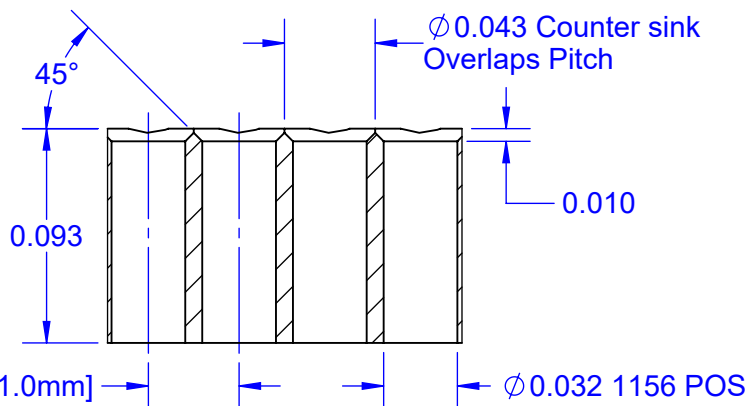
SIDE VIEW



TOP VIEW



DETAIL A



NOTES:

1. DIMENSIONS IN INCH UNLESS OTHERWISE STATED.
2. MATERIAL: FR4 COLOR BLACK.
3. LEGEND: WHITE INK.
4. PIN REFERENCE DESIGNATORS NOT MARKED ON PCB

TopLine[®]

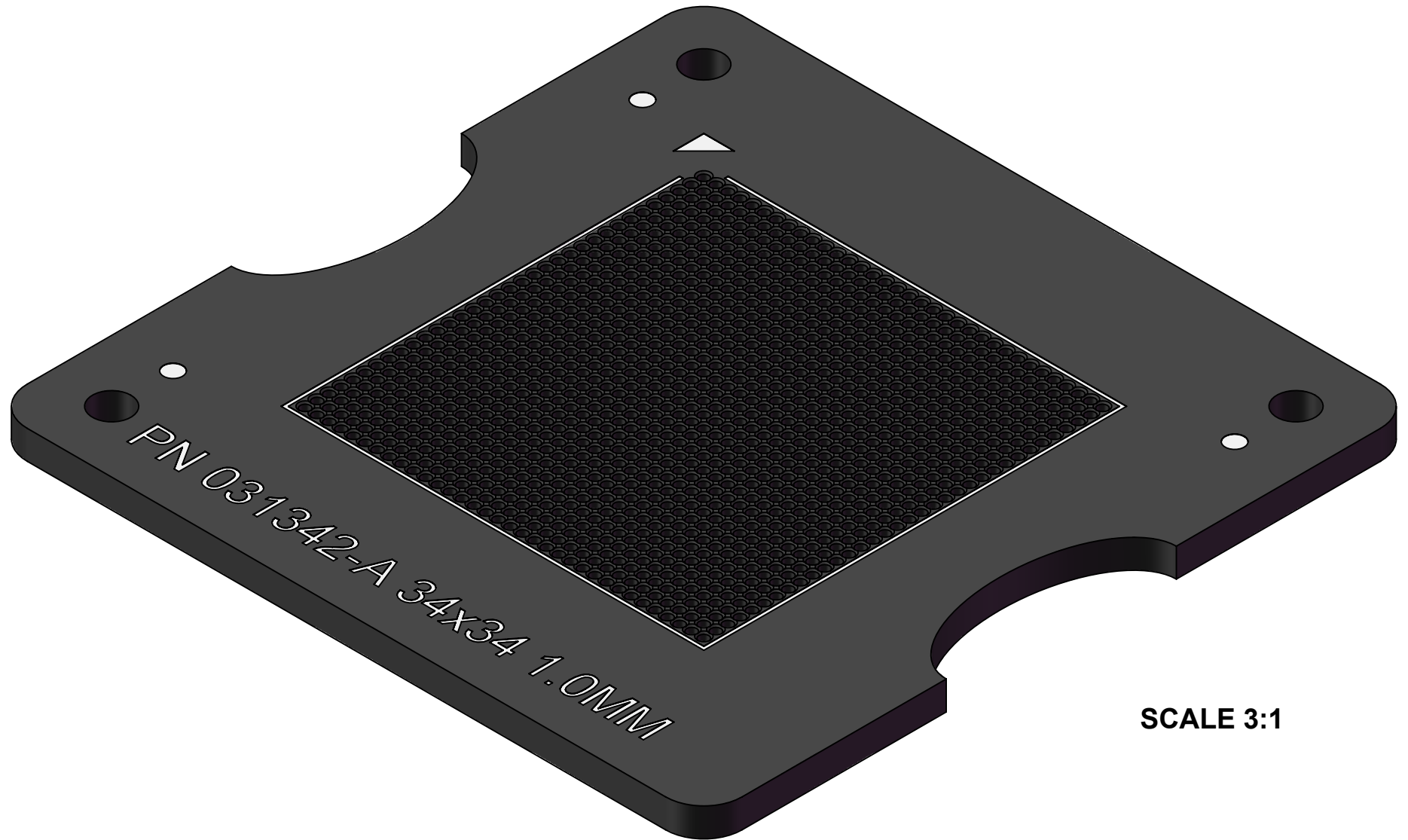
TITLE CCGA1152 TRAY INSERT
2.33" SW

SCALE	SIZE	DRAWING NO.	REV
3:2	A	031342	A

DO NOT SCALE DRAWING

SHEET 3 OF 10

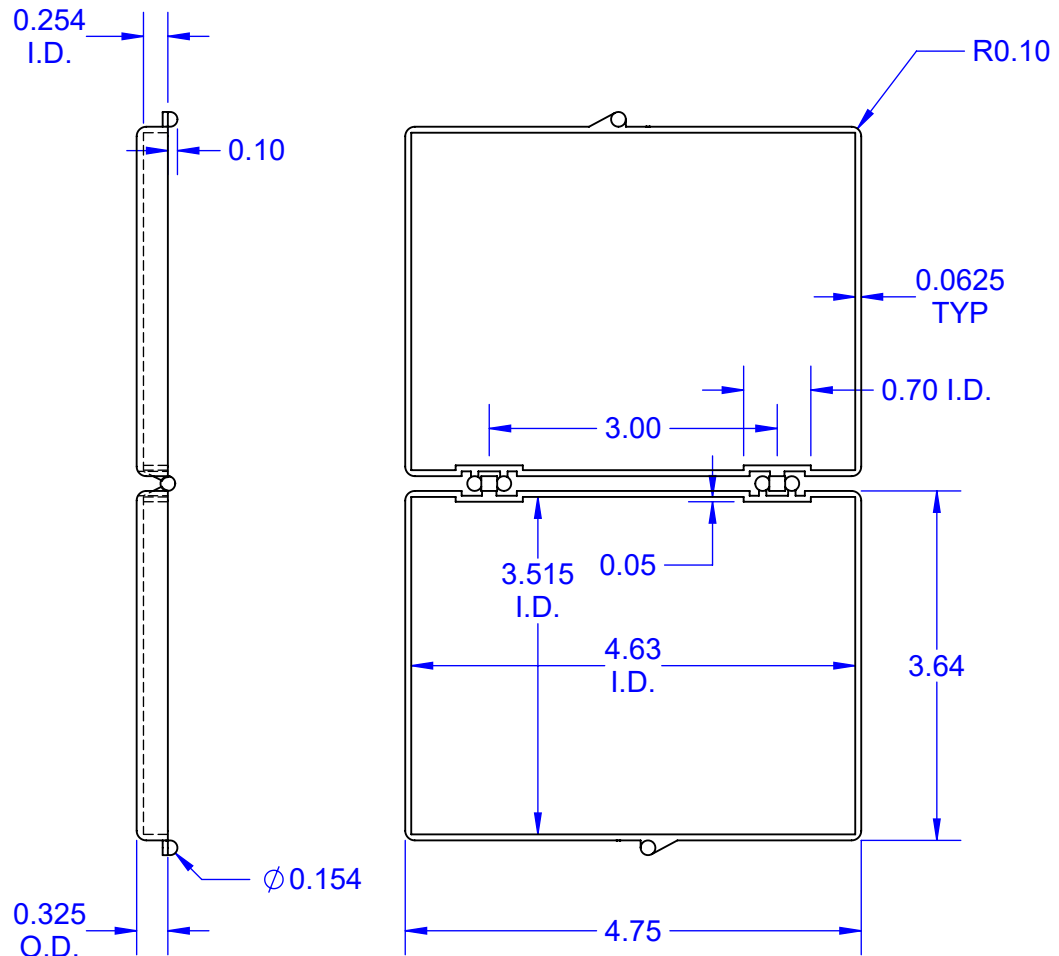
MODEL



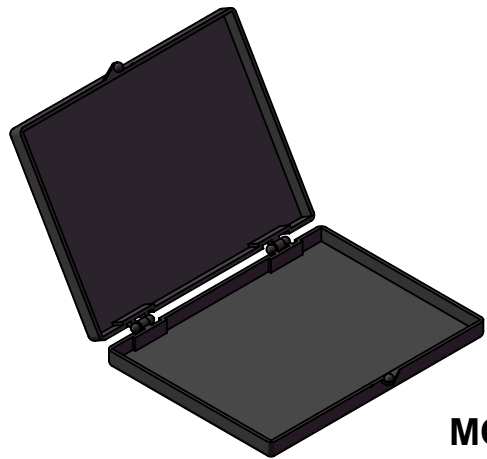
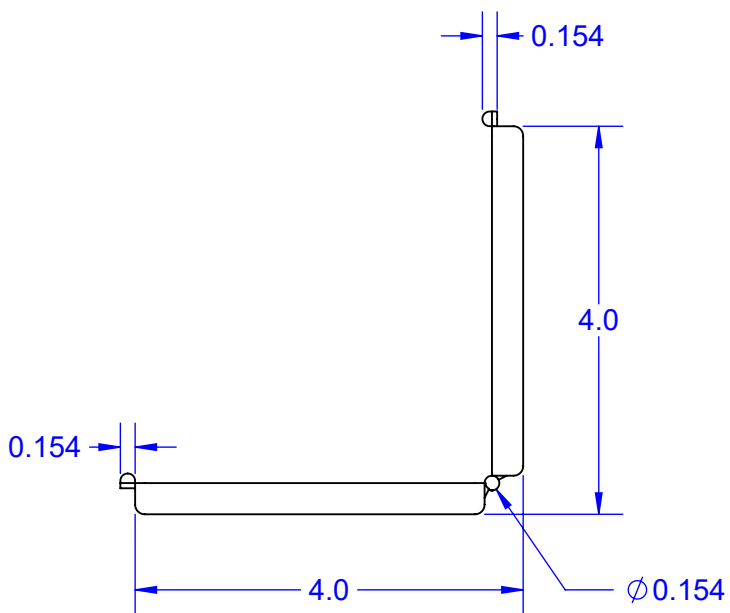
SCALE 3:1

TopLine[®]			
TITLE		CCGA1152 TRAY INSERT 2.33" SW	
SCALE	SIZE	DRAWING NO.	REV
3:1	A	031342	A
DO NOT SCALE DRAWING			SHEET 4 OF 10

TOP (OPEN)

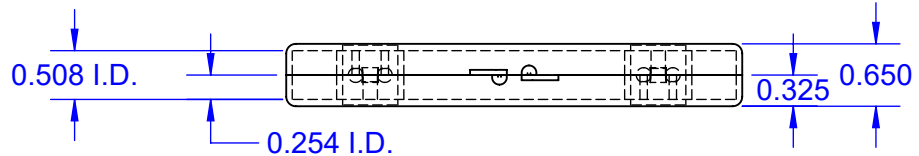


SIDE VIEW (OPEN)



MODEL

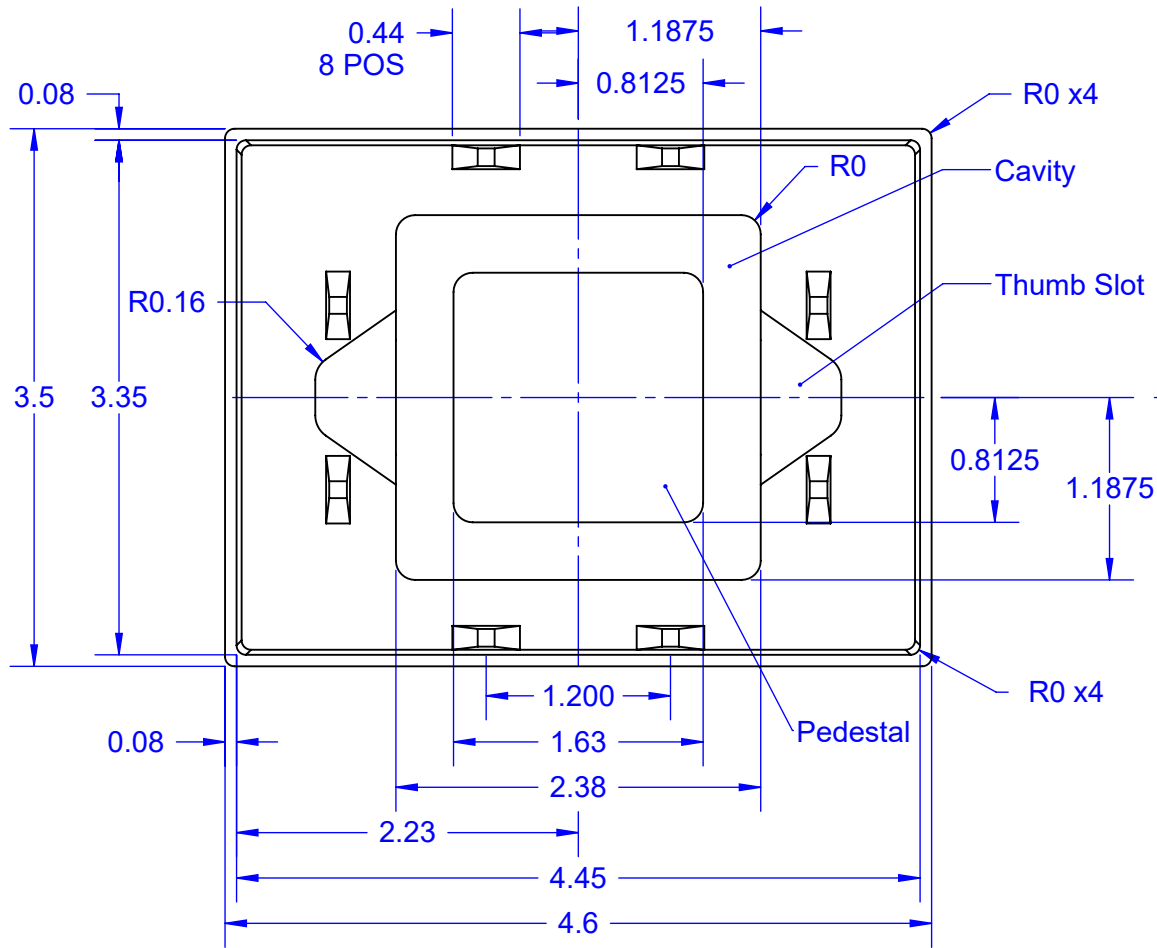
FRONT (CLOSED)



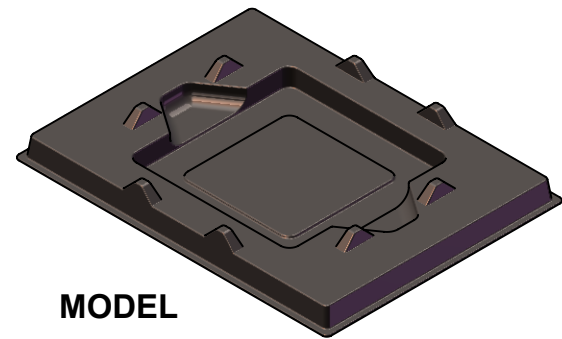
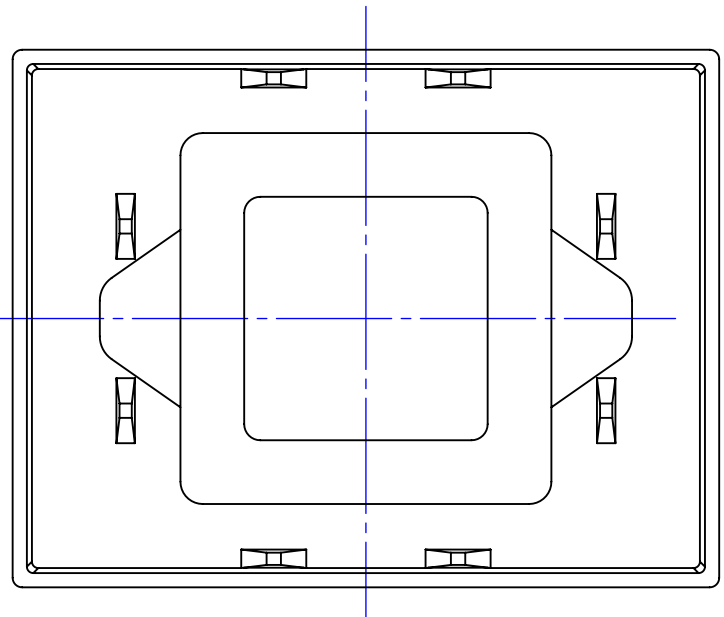
- Notes: (Unless Otherwise Specified).
- 1) SURFACE RESISTIVITY: $10^3 \Omega$ TO $10^6 \Omega$ PER SQUARE.
 - 2) MATERIAL: CARBON FILLED POLYPROPYLENE.
 - 3) DIMENSIONS IN INCHES.

TopLine®			
TITLE		EC1 (EMPTY BOX) HINGE BOX	
SCALE	SIZE	DRAWING NO.	REV
1:2	A	090000	A
DO NOT SCALE DRAWING			SHEET 5 OF 10

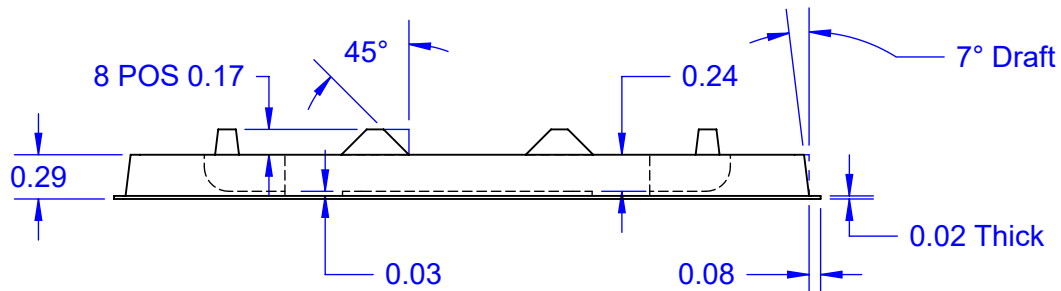
TOP VIEW



BOTTOM VIEW



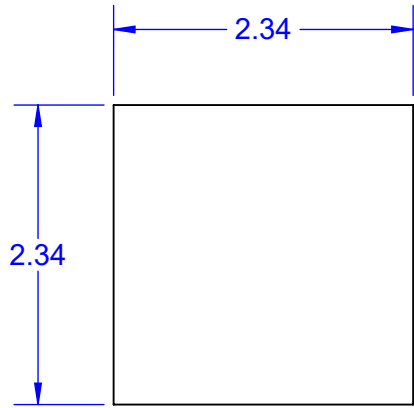
MODEL



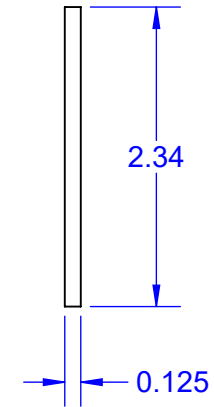
SIDE VIEW

APPROVALS		DATE		TopLine®			
DRAWN	T. Au	06/07/16					
ENG	M. Hart	06/07/16		TITLE CCGA TRAY INSERT FOR 4.625 x 3.5 HINGE BOX			
MFG		SCALE	SIZE	DRAWING NO.		REV	
QA		2:2.5	A	140099		A	
CUST							
REVISED		DO NOT SCALE DRAWING				SHEET 6 OF 10	

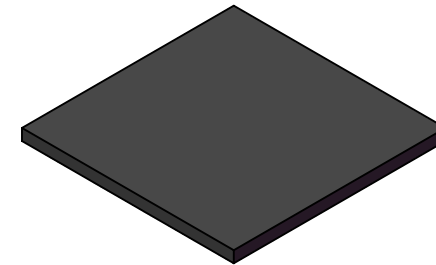
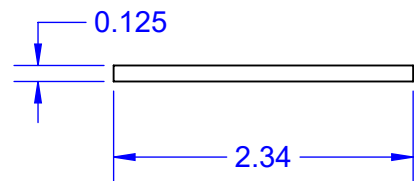
TOP



EDGE



SIDE



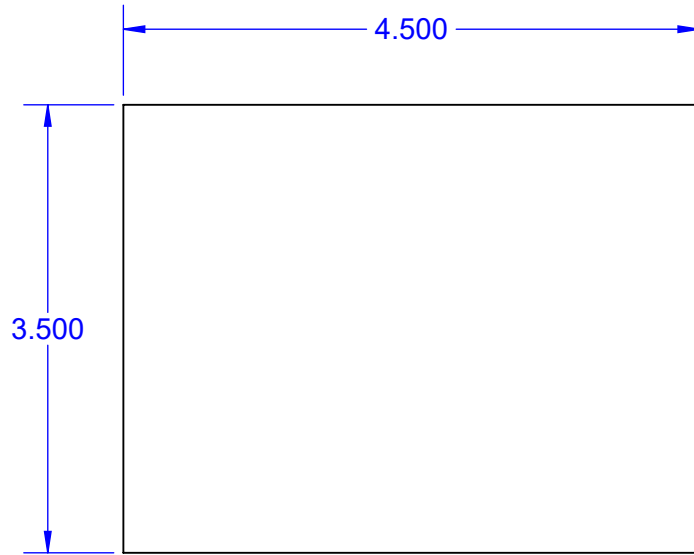
MODEL

Notes: (Unless Otherwise Specified).

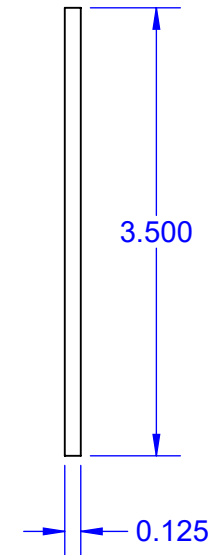
- 1) SURFACE RESISTIVITY: $10^3 \Omega$ TO $10^6 \Omega$ PER SQUARE.
- 2) SOFT CONDUCTIVE FOAM.
- 3) DENSITY 1.7 PFC Min.

TopLine[®]			
TITLE		LOW DENSITY FOAM FOAM-SOFT-2.34-A	
SCALE	SIZE	DRAWING NO.	REV
1:1.5	A	090011	A
DO NOT SCALE DRAWING			SHEET 7 OF 10

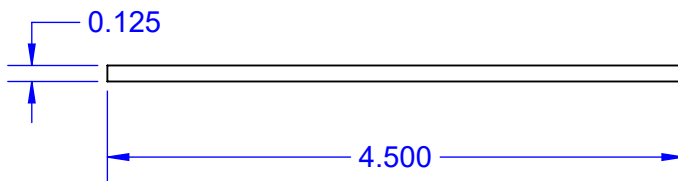
TOP



EDGE



SIDE



MODEL

Notes: (Unless Otherwise Specified).

- 1) SURFACE RESISTIVITY: $10^3 \Omega$ TO $10^6 \Omega$ PER SQUARE.
- 2) SOFT CONDUCTIVE FOAM.
- 3) DENSITY 1.7 PFC Min.

TopLine®

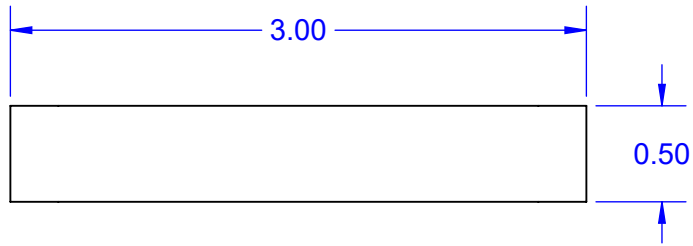
TITLE EC1-FOAM-SOFT-.125-A
LOW DENSITY FOAM

SCALE 1:1.5	SIZE A	DRAWING NO. 090006	REV A
----------------	-----------	-----------------------	----------

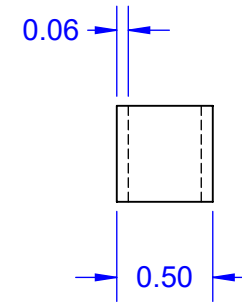
DO NOT SCALE DRAWING

SHEET 8 OF 10

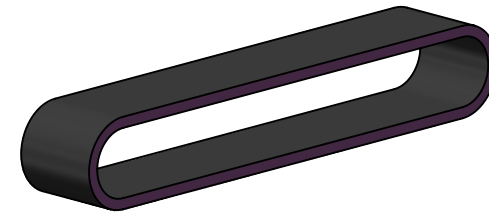
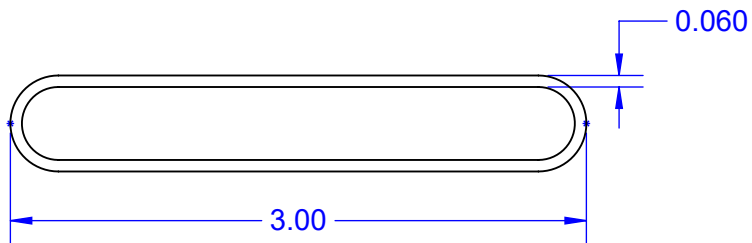
TOP



EDGE



SIDE

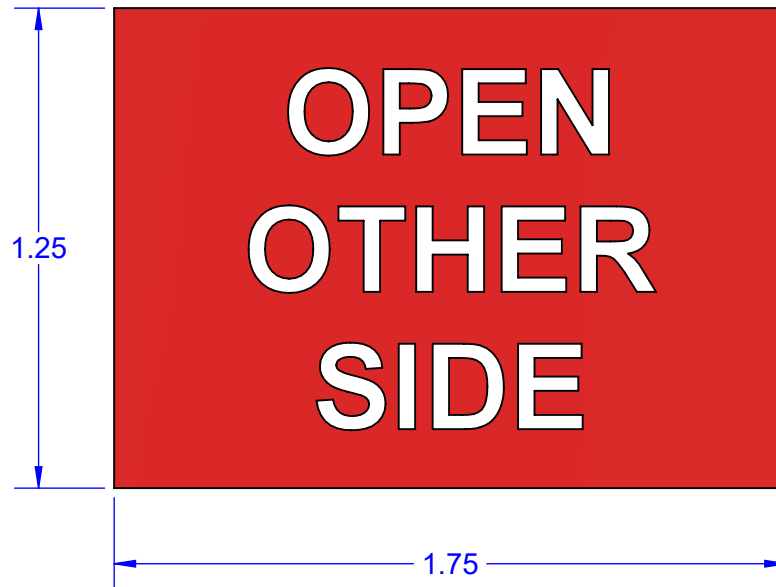


MODEL

Notes: (Unless Otherwise Specified).

- 1) SURFACE RESISTIVITY: $10^3 \Omega$ TO $10^6 \Omega$ PER SQUARE.
- 2) DIMENSIONS in INCHES (RESTING POSITION).

TopLine®			
TITLE		RUBBER BAND-3.0-C BLACK CONDUCTIVE	
SCALE	SIZE	DRAWING NO.	REV
1:1	A	090005	A
DO NOT SCALE DRAWING			SHEET 9 OF 10



Notes: (Unless Otherwise Specified).

1. DIMENSIONS INCHES.
2. MATERIAL: PAPER LABEL WITH ADHESIVE.
3. COLOR: RED.
4. PURPOSE: IDENTIFY TOP / BOTTOM OF HINGE BOX.

TopLine®			
TITLE		LABEL FOR BOTTOM OF HINGE BOX	
SCALE	SIZE	DRAWING NO.	REV
2:1	A	090005	A
DO NOT SCALE DRAWING			SHEET 10 OF 10