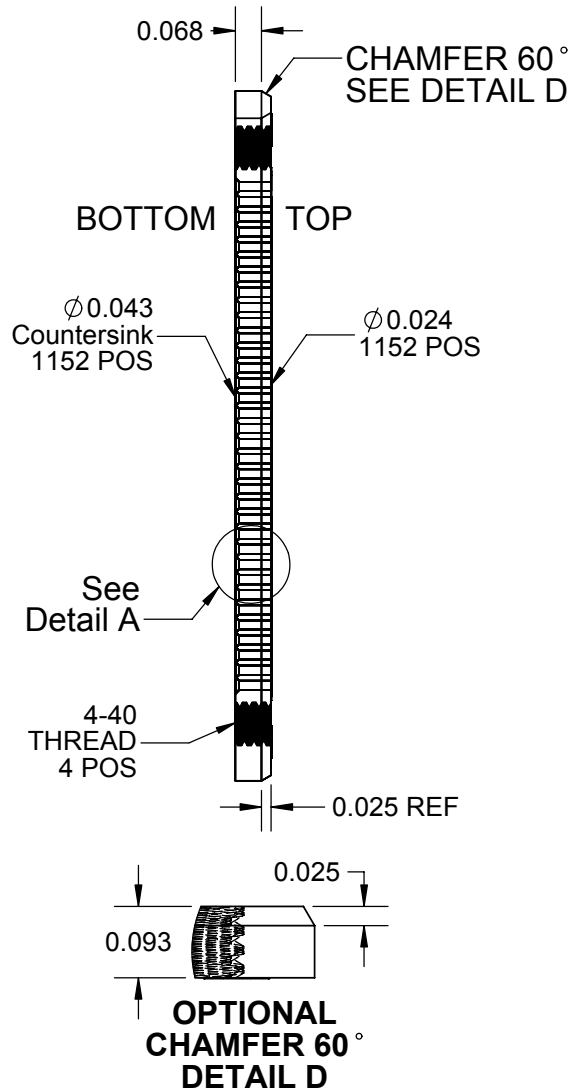
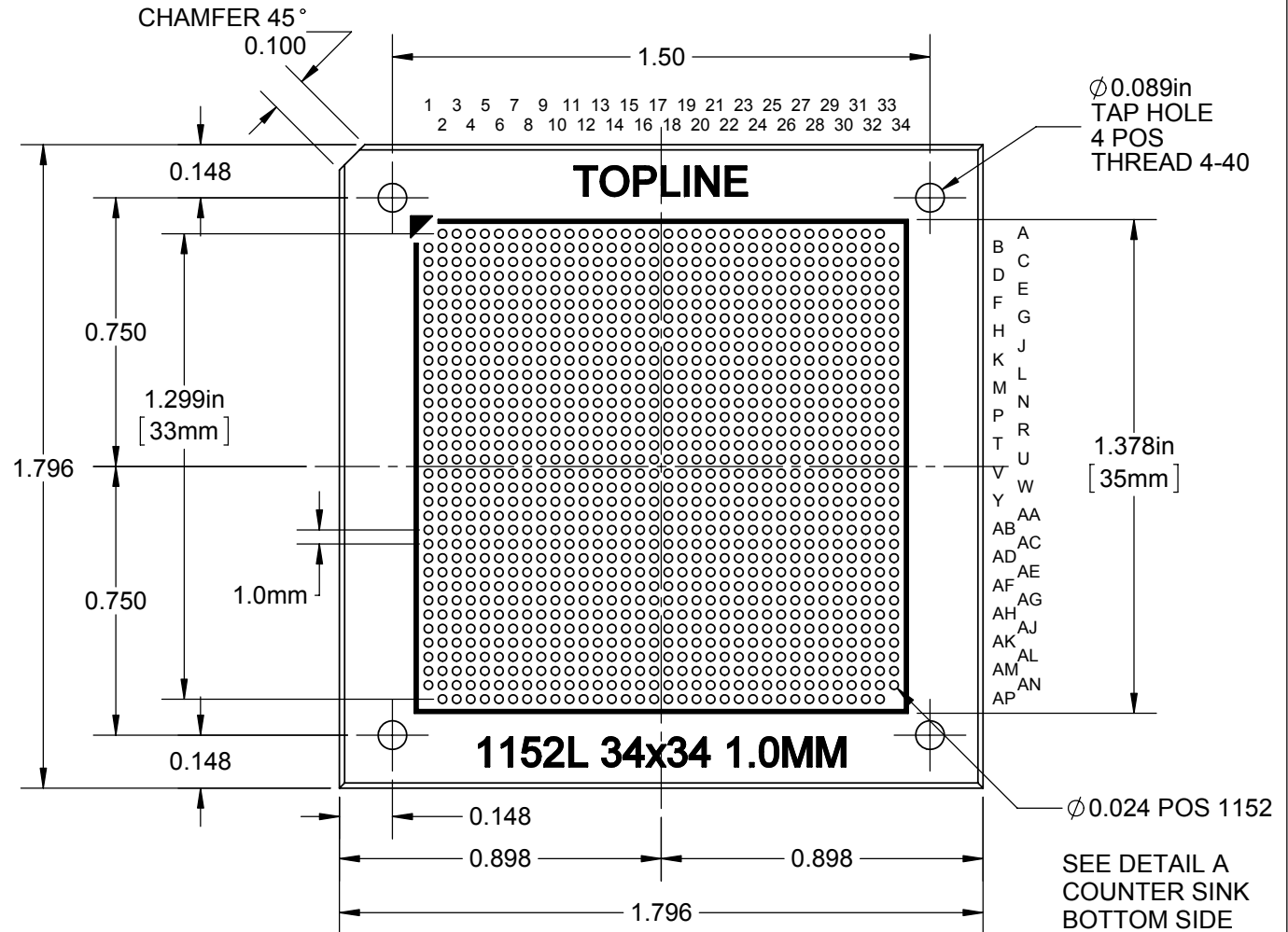


**SIDE VIEW**



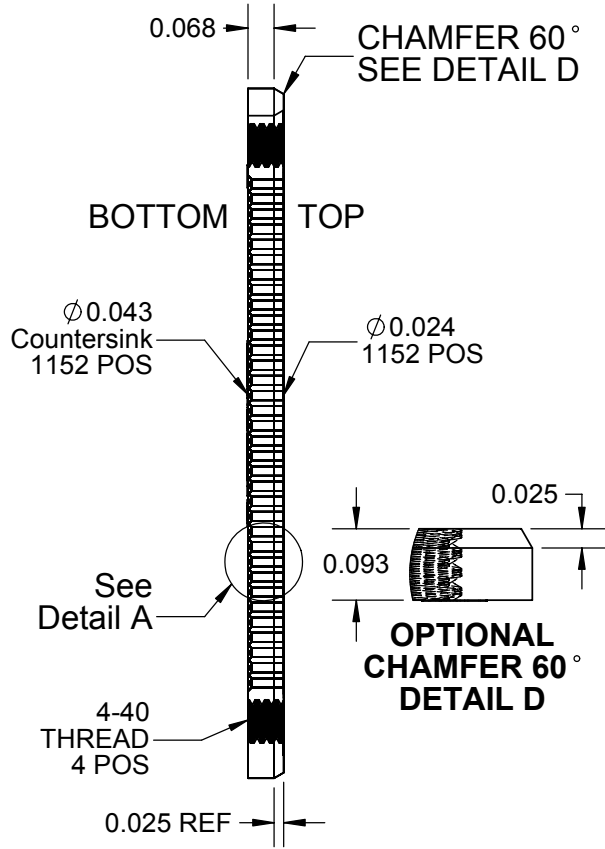
**TOP VIEW**



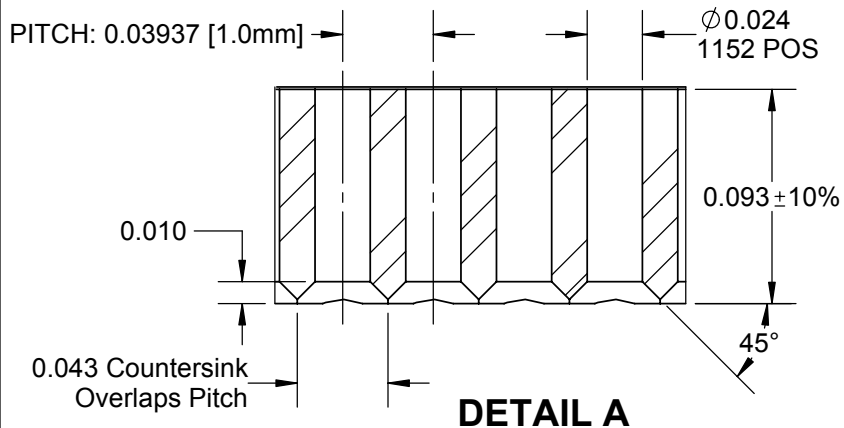
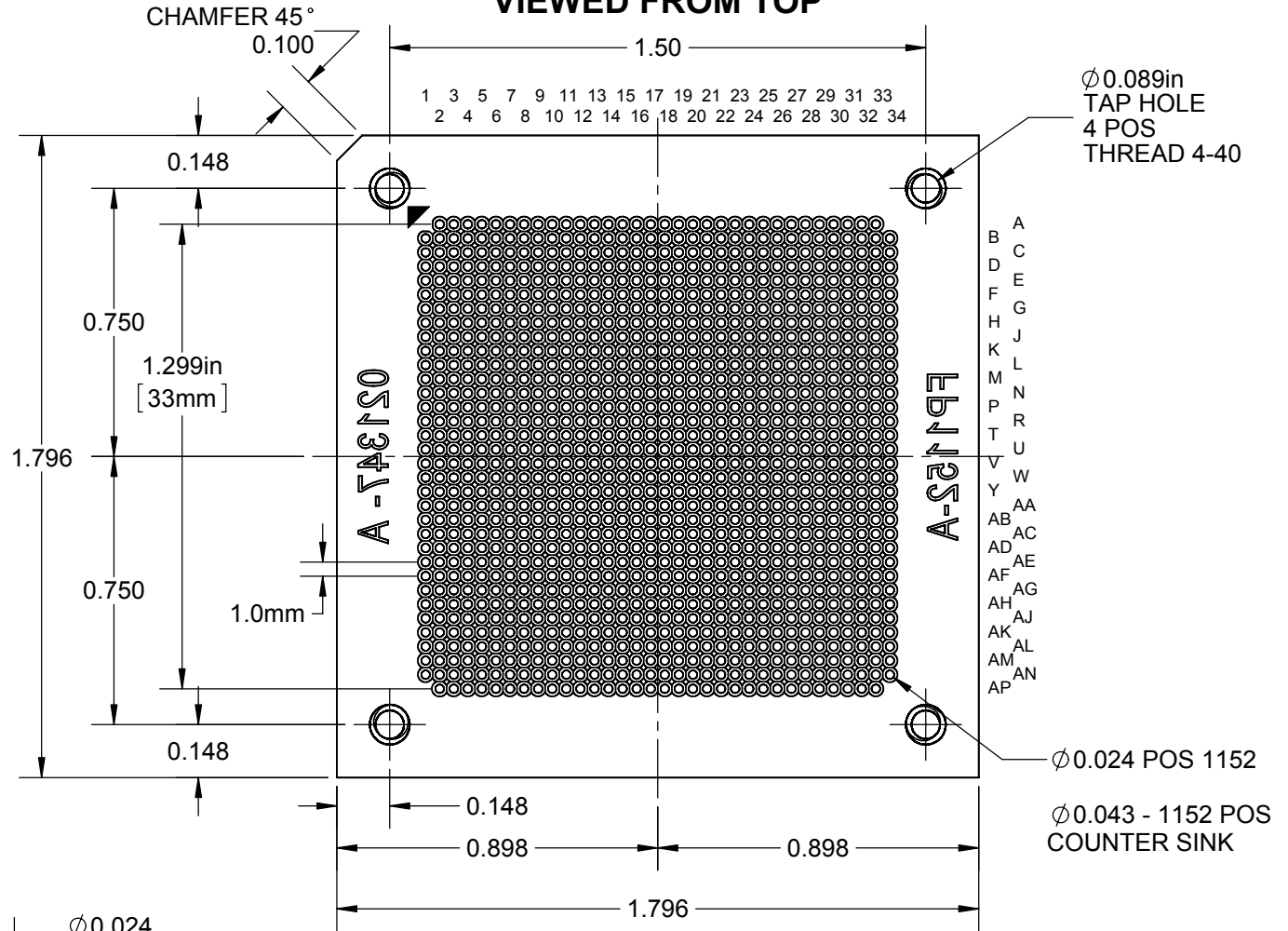
- NOTES:**
1. DIMENSIONS IN INCH UNLESS OTHERWISE STATED.
  2. MATERIAL: CLEAR PC-300 POLYCARBONATE .
  3. STATIC DISSIPATIVE  $10^6 \sim 10^8$  (ESD SAFE).
  4. LEGEND: BLACK INK.

APPROVALS	DATE	<b>TopLine®</b>			
DRAWN T. Au	1/25/2016				
ENG M. Hart	1/25/2016	TITLE CCGA1152 - 1.0MM PA1 CARRIER Ø20 MIL PIN			
MFG		SCALE	SIZE	DRAWING NO.	REV
QA		2:1	A	021347	A
CUST		DO NOT SCALE DRAWING			SHEET 1 OF 4
REVISED					

**SIDE VIEW**



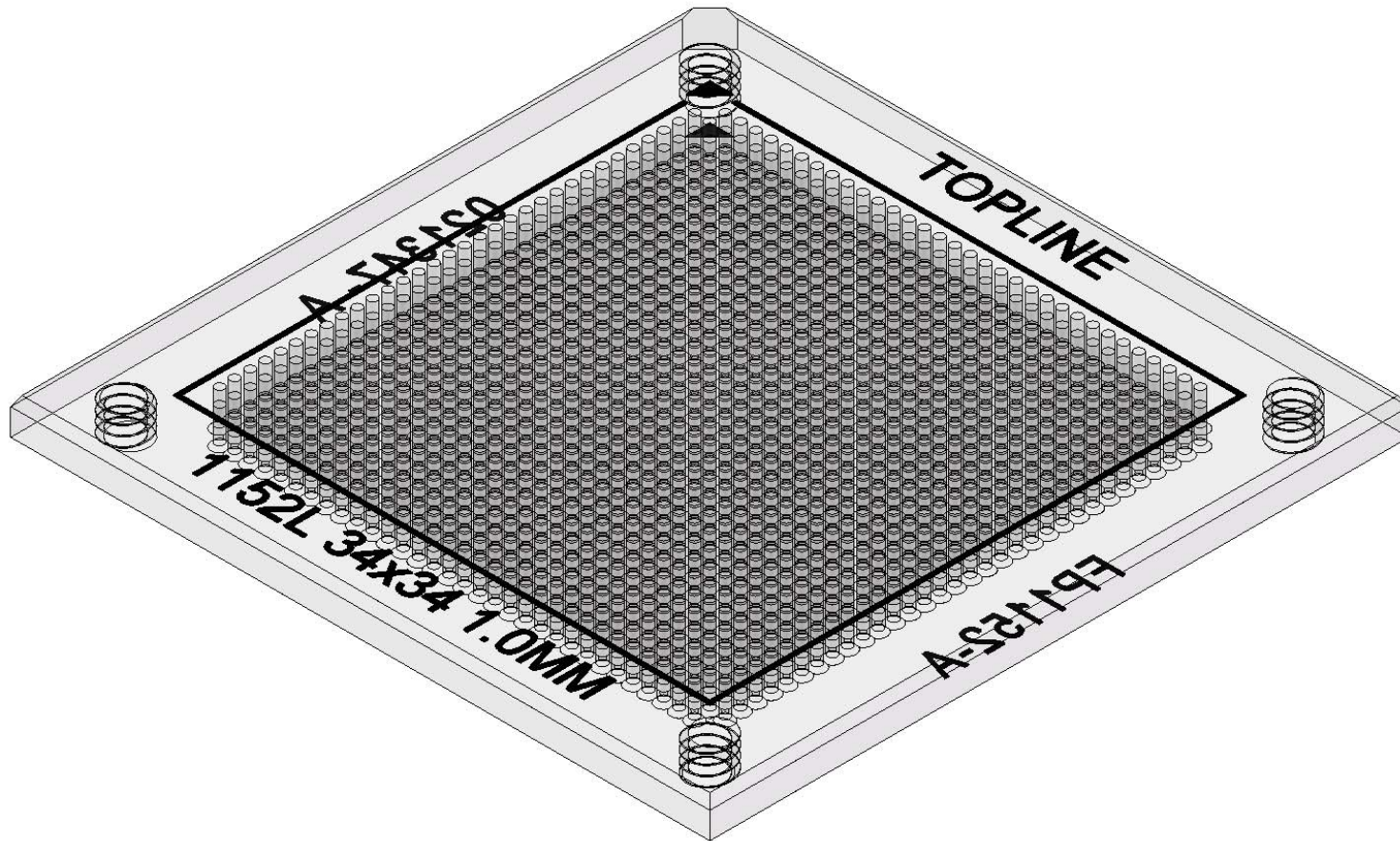
**BOTTOM  
VIEWED FROM TOP**



HOLE CHART			
SYMBOL	DIAMETER UNPLATED THRU	COUNTER SINK	QTY
○	Ø0.024	-	1152
⊕	TAP 0.089	-	4
THREAD	4-40	-	4
⊙	-	Ø0.043	1152
TOTAL			2312

<b>TopLine®</b>			
TITLE CCGA1152 - 1.0MM PA1 CARRIER Ø20 MIL PIN			
SCALE 2:1	SIZE A	DRAWING NO. 021347	REV A
DO NOT SCALE DRAWING			SHEET 2 OF 4

MODEL  
TOP



**TopLine**<sup>®</sup>

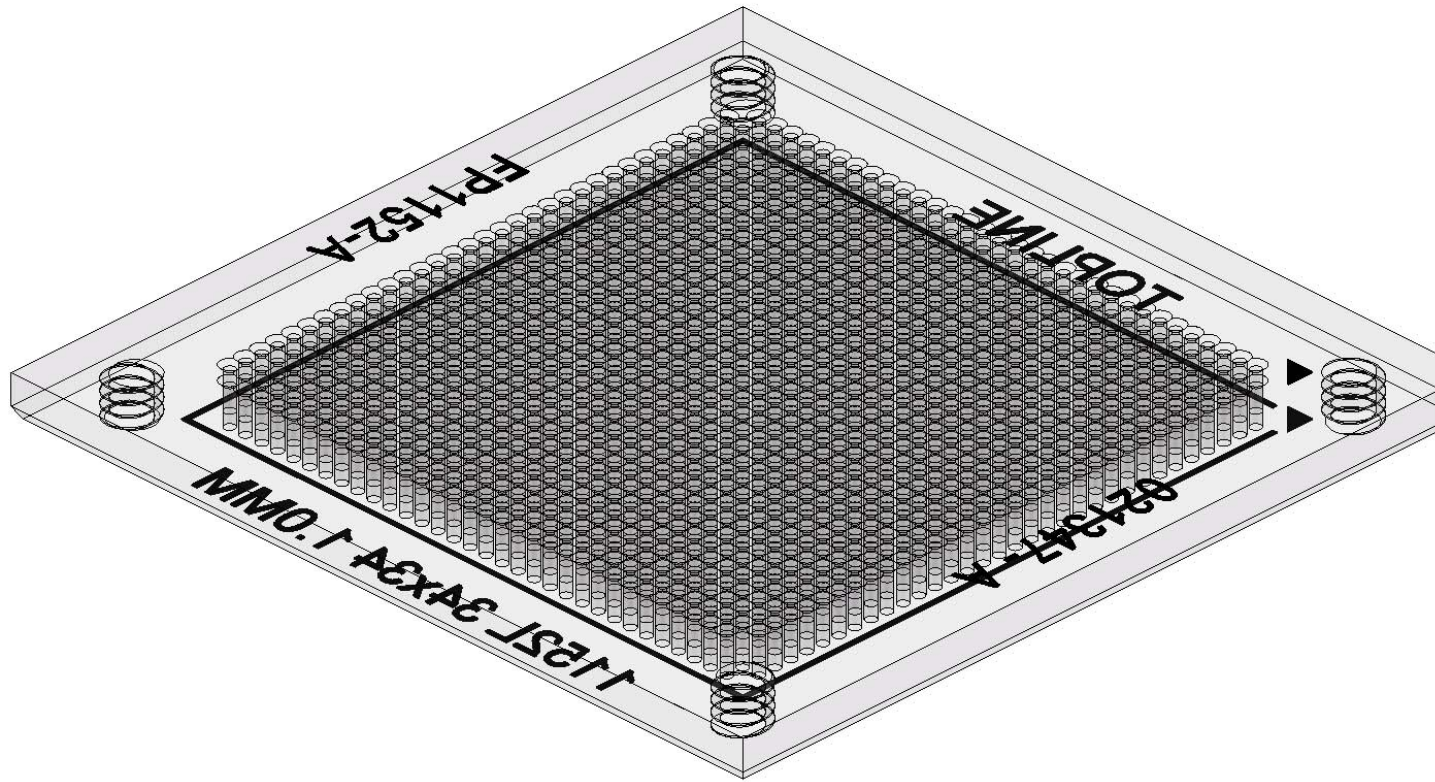
TITLE CCGA1152 - 1.0MM  
PA1 CARRIER Ø20 MIL PIN

SCALE	SIZE	DRAWING NO.	REV
3:1	A	021347	A

DO NOT SCALE DRAWING

SHEET 3 OF 4

MODEL  
BOTTOM



**TopLine**<sup>®</sup>

TITLE CCGA1152 - 1.0MM  
PA1 CARRIER Ø20 MIL PIN

SCALE	SIZE	DRAWING NO.	REV
3:1	A	021347	A

DO NOT SCALE DRAWING

SHEET 4 OF 4