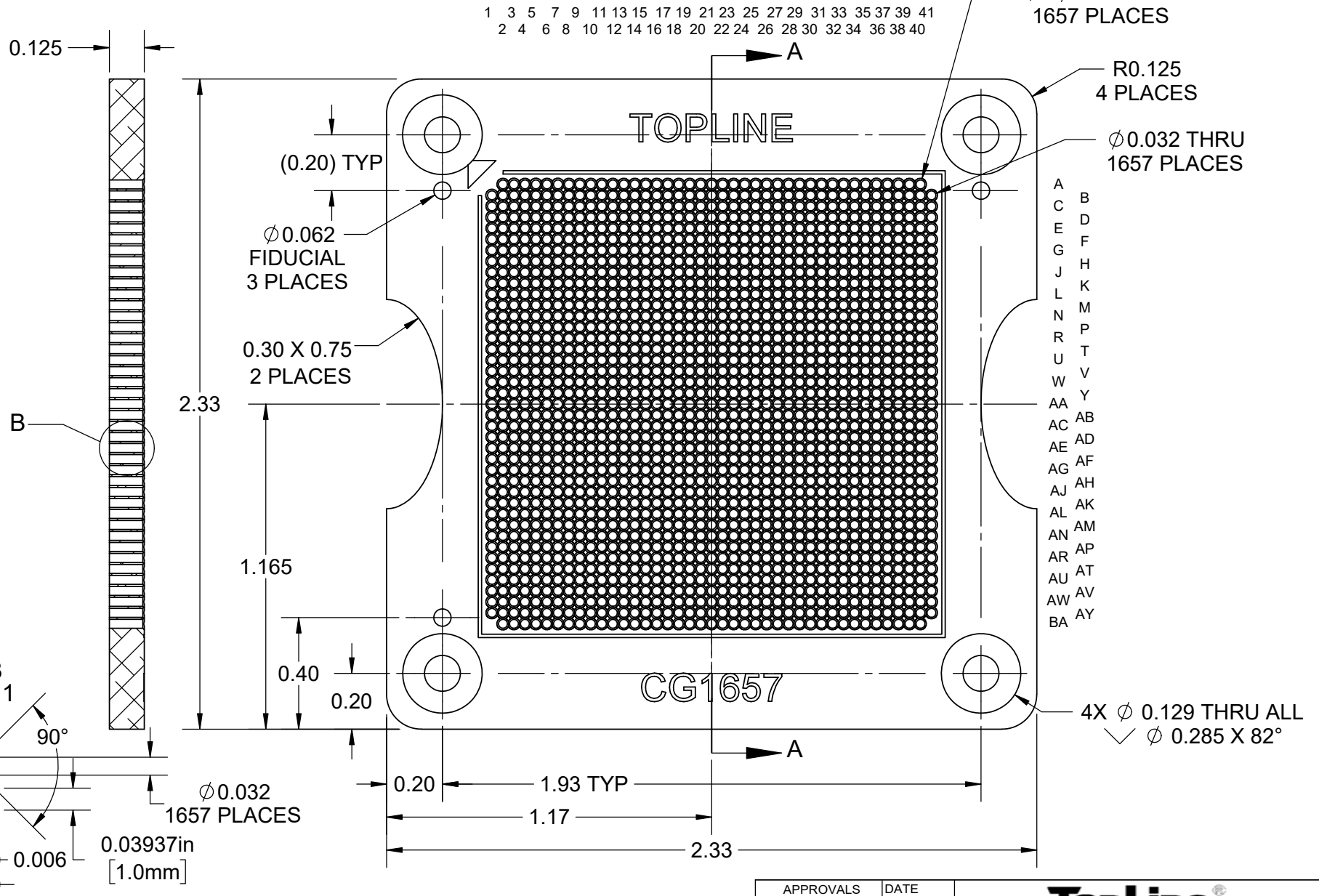
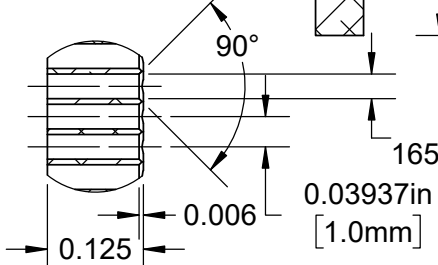


SECTION A-A

TOP VIEW



DETAIL B
SCALE 4 : 1

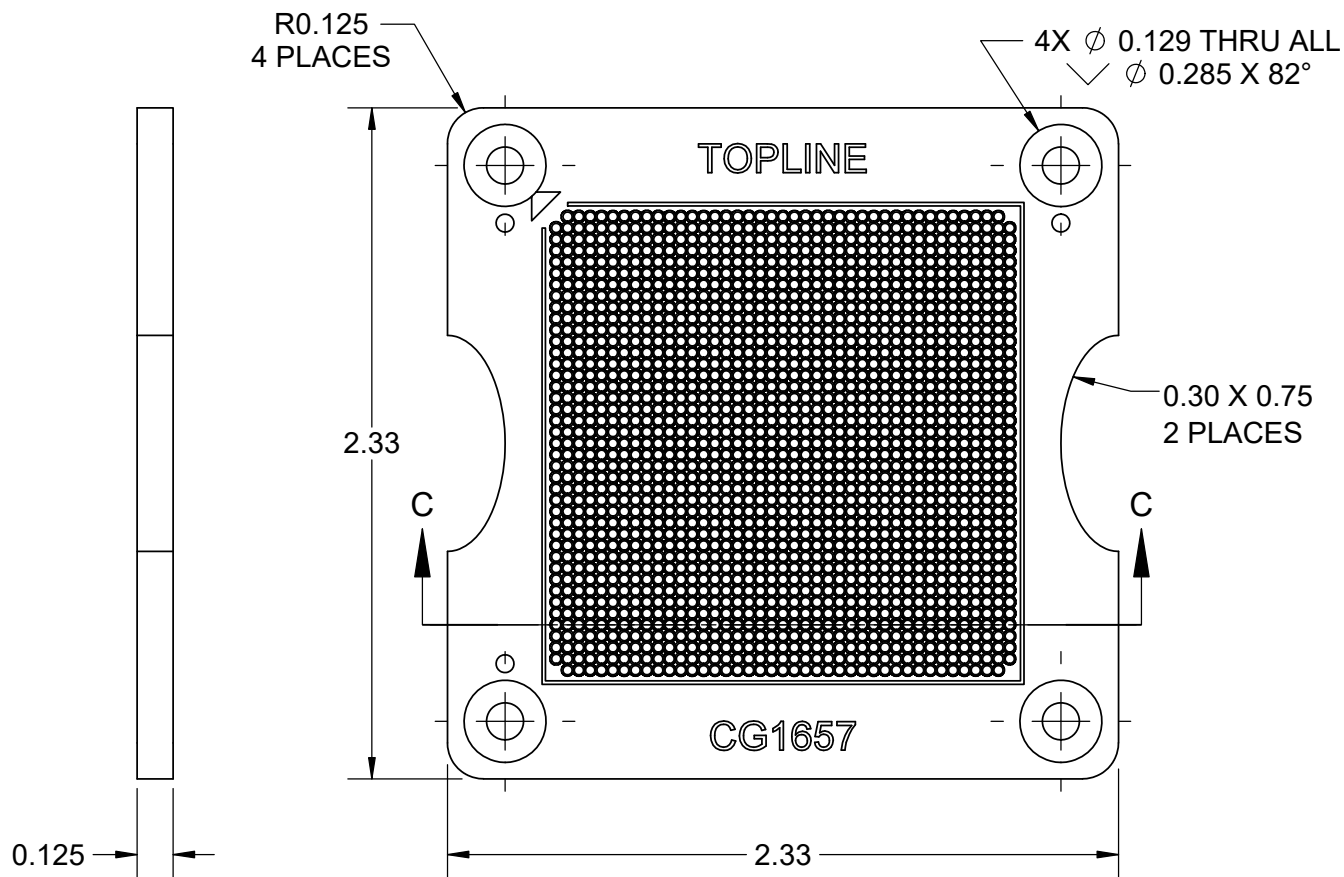


NOTES: (UNLESS OTHERWISE SPECIFIED).

- 1) DIMENSIONS: INCH.
- 2) MATERIAL: FR4.
- 3) LEGEND: COPPER WITH ENIG FINISH.
- 4) PIN REFERENCE DESIGNATORS NOT MARKED ON PWB.
- 5) SOLDERMASK: NONE.

APPROVALS		DATE				
DRAWN	J. Hines	8/17/2016				
ENG	M. Hart	8/17/2016			2.33" SQ	
MFG			SCALE	SIZE	DRAWING NO.	REV
QA			2:1	A	031413	A
CUST			DO NOT SCALE DRAWING		SHEET 1 OF 4	
REVISED						

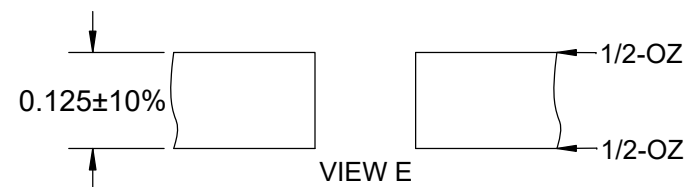
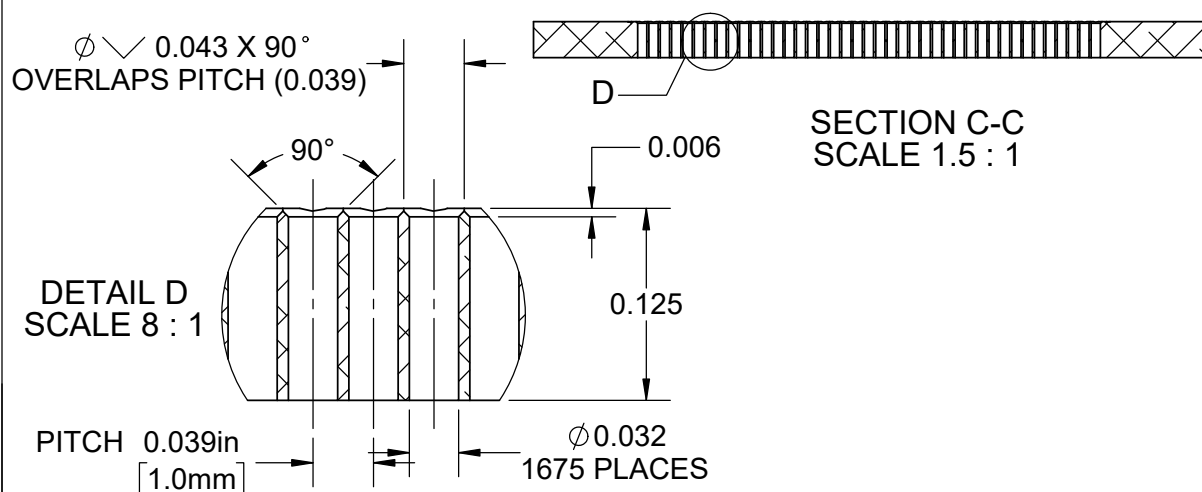
FAB DRILL AND PLATED THROUGH HOLES



HOLE CHART			
SYMBOL	DIAMETER UNPLATED THRU	COUNTER SINK	QTY PCB
	0.032±0.003	0.043±0.003	1657
	ϕ 0.129	ϕ 0.285	4
TOTAL			1661

FAB NOTES:

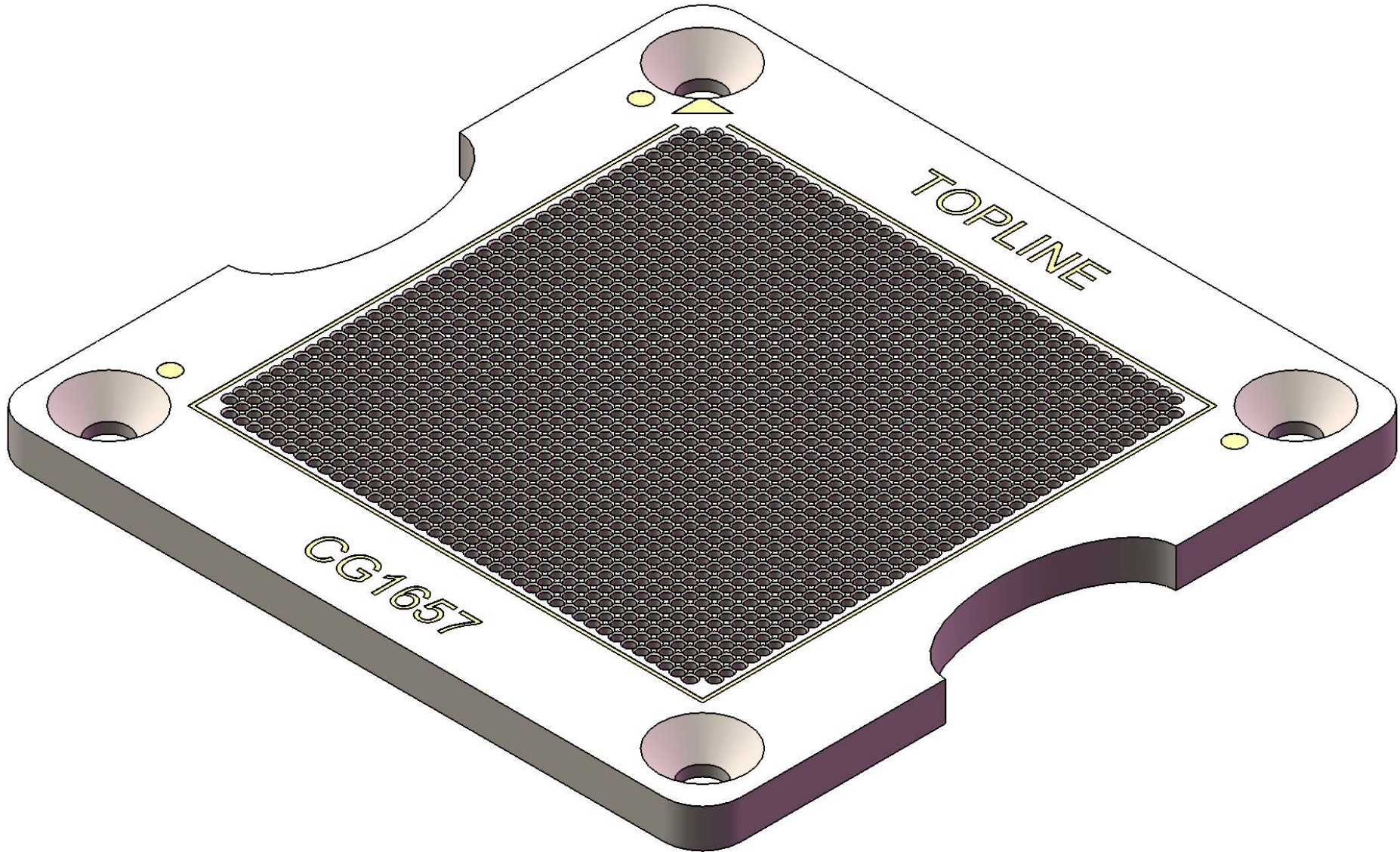
- MATERIAL:
A. COPPER (H/H).
B. FR4.
- REFER TO DETAIL A COUNTER SINK.
- REFER TO VIEW A FOR STACK UP.
- NO PTH HOLES.
- NO SOLDER MASK.
- FINAL FINISH: ENIG.
- NO SILKSCREEN.
- FULLY ROUTE EACH BOARD.



VIEW E
CONSTRUCTION
SCALE: NONE

TopLine			
TITLE CCGA1657 CARRIER 2.33" SQ			
SCALE 3:2	SIZE A	DRAWING NO. 031413	REV A
DO NOT SCALE DRAWING			SHEET 2 OF 4

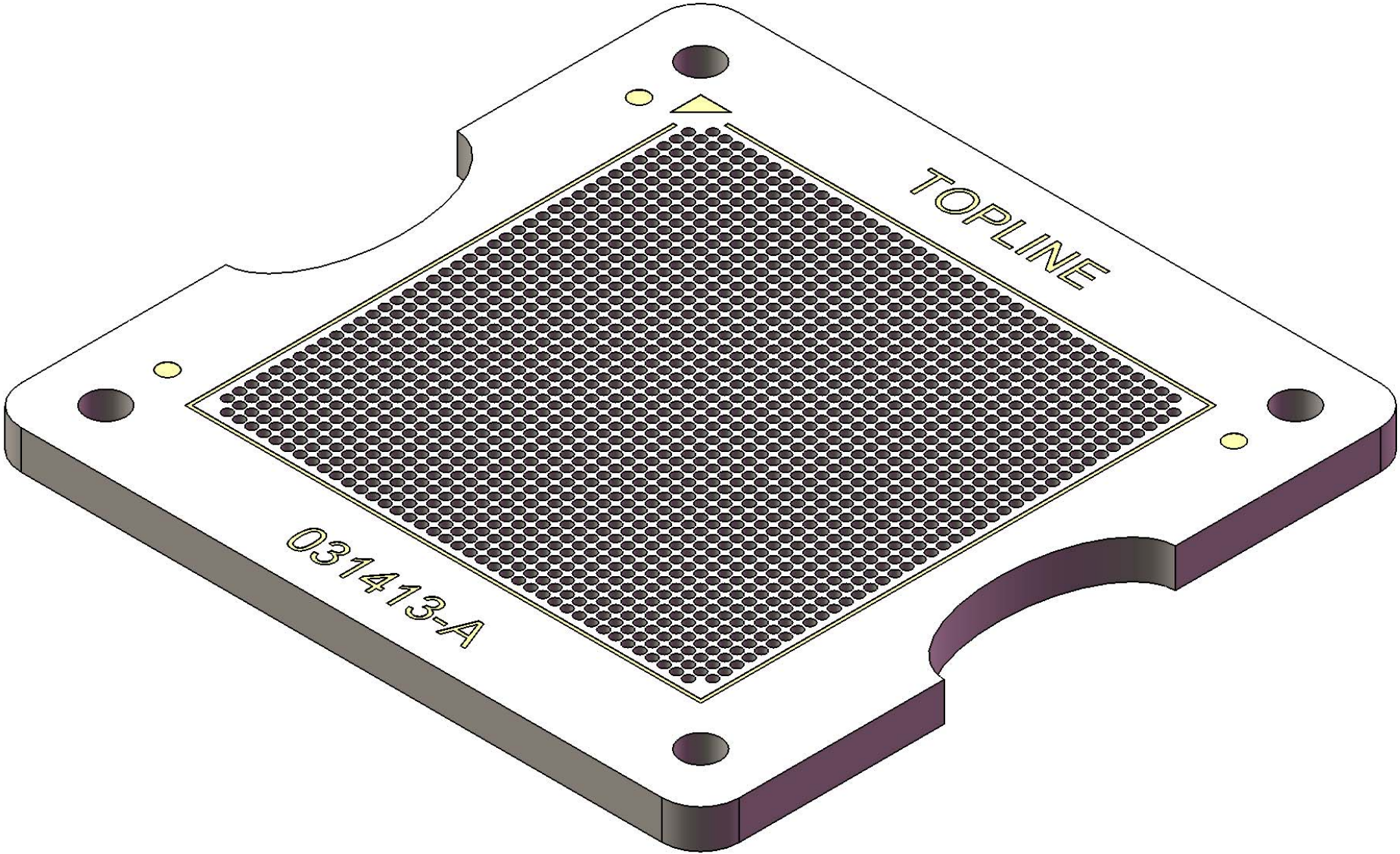
MODEL
TOP



TopLine[®]

TITLE				CCGA1657 CARRIER 2.33" SQ	
SCALE	SIZE	DRAWING NO.	REV		
3:1	A	031413	A		
DO NOT SCALE DRAWING			SHEET 3 OF 4		

MODEL
BOTTOM



TopLine[®]			
TITLE		CCGA1657 CARRIER 2.33" SQ	
SCALE	SIZE	DRAWING NO.	REV
3:1	A	031413	A
DO NOT SCALE DRAWING			SHEET 4 OF 4