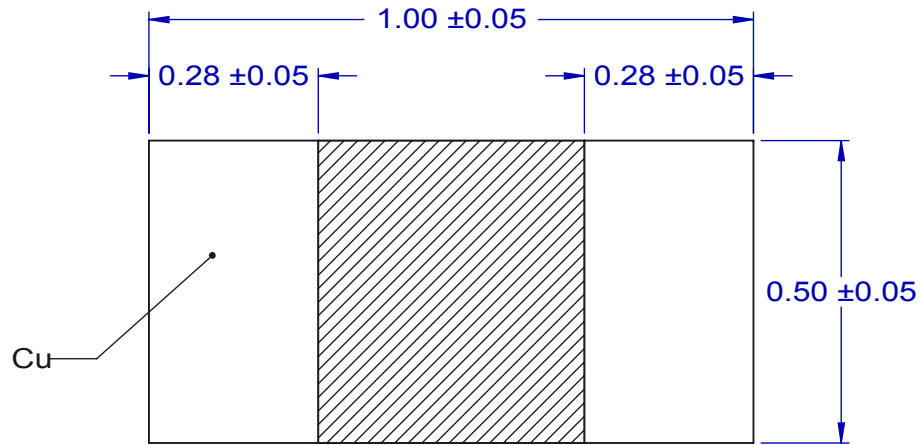
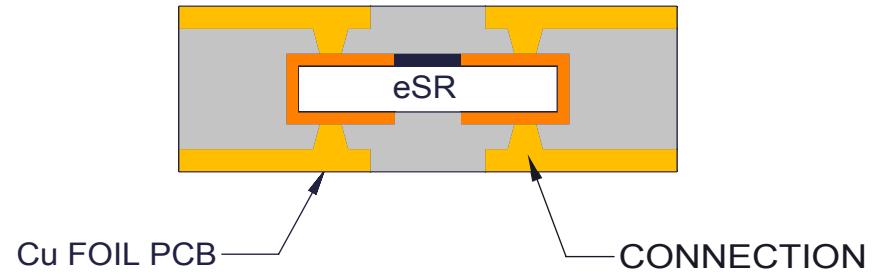


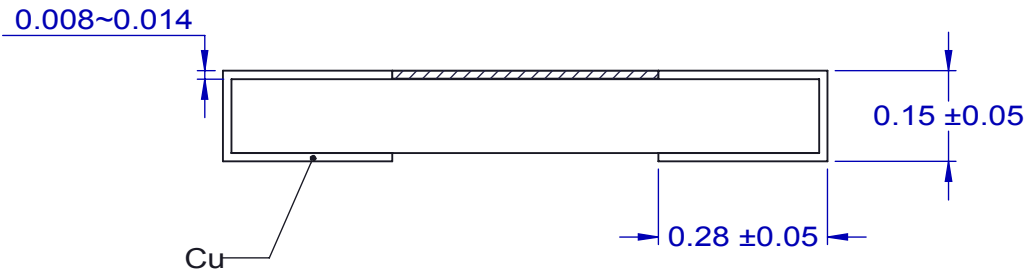
TOP VIEW



TYPICAL EMBEDDING APPLICATION
INSIDE CROSS SECTION OF PCB BOARD



SIDE VIEW



ELECTRICAL RATING:

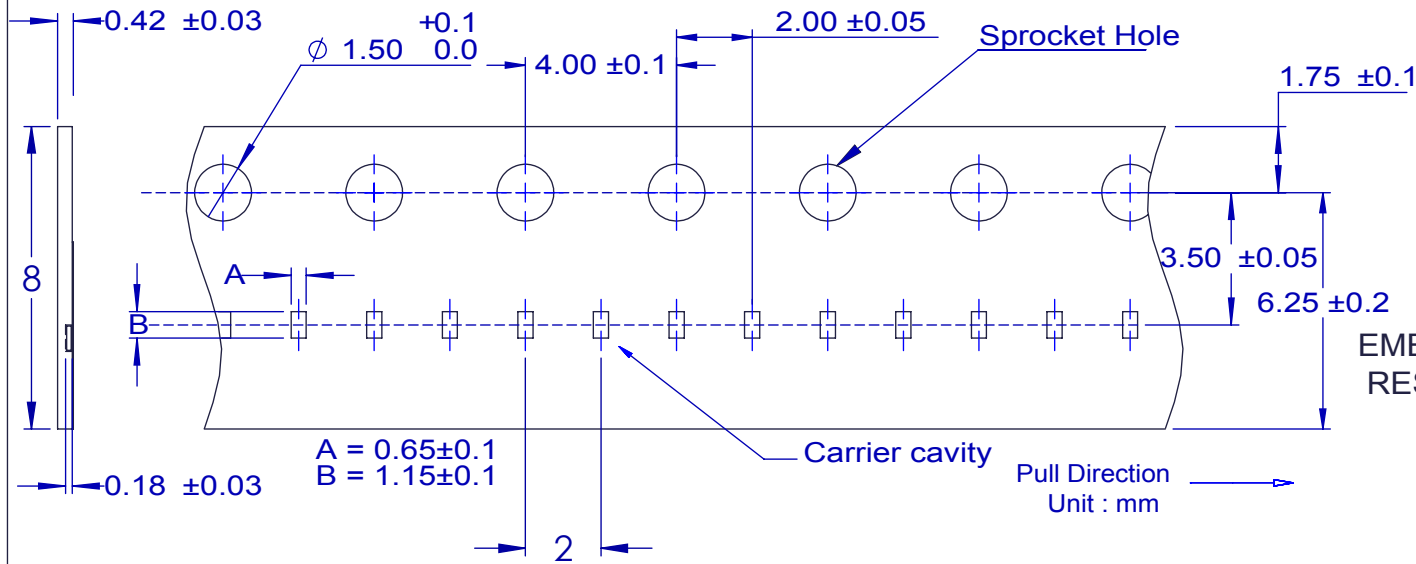
RESISTANCE: JUMPER < 50mΩ
CURRENT: 1.0 A
TEMPERATURE: -55°C to +125°C

NOTES:

1. DIMENSION mm.
2. TERMINATIONS: COPPER (Cu).
3. Pb-FREE AND HALOGEN FREE.

APPROVALS	DATE	TopLine®			
DRAWN T. Au	06/25/12				
ENG M. Hart	06/25/12	TITLE eSR0402 ZERO OHM EMBEDDED RESISTOR			
MFG		SCALE	SIZE A	DRAWING NO. 120402	REV A
QA					
CUST		DO NOT SCALE DRAWING			SHEET 1 OF 2
REVISED					

W8P2 CARRIER TAPE



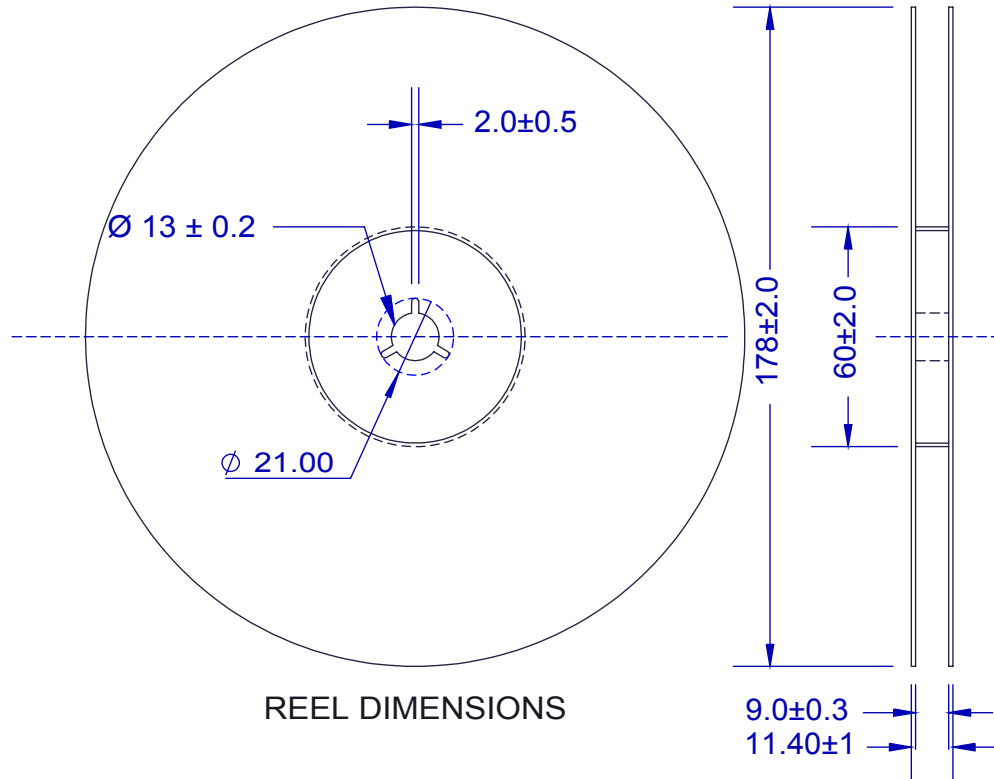
PART NUMBER SYSTEM

eSR 0402 P7A - ZERO - CU

EMBEDDED RESISTOR
SIZE CODE 1.0 x 0.5mm

PACK CODE
JUMPER < 50mΩ

TERMINATION
Cu COPPER



PACKAGE CODE		
CODE	QTY	PACKAGE
P7A	10 000	REEL
P7B	5000	REEL
P4A	1000	REEL
W	400	TRAY*

*NOTE: UNCONTROLLED PLACEMENT IN TRAY

APPROVALS	DATE	TopLine®			
DRAWN T. Au	06/25/12				
ENG M. Hart	06/25/12	TITLE eSR0402 ZERO OHM EMBEDDED RESISTOR			
MFG		SCALE	SIZE A	DRAWING NO. 120402	REV A
QA		DO NOT SCALE DRAWING		SHEET 2 OF 2	
CUST					
REVISED					