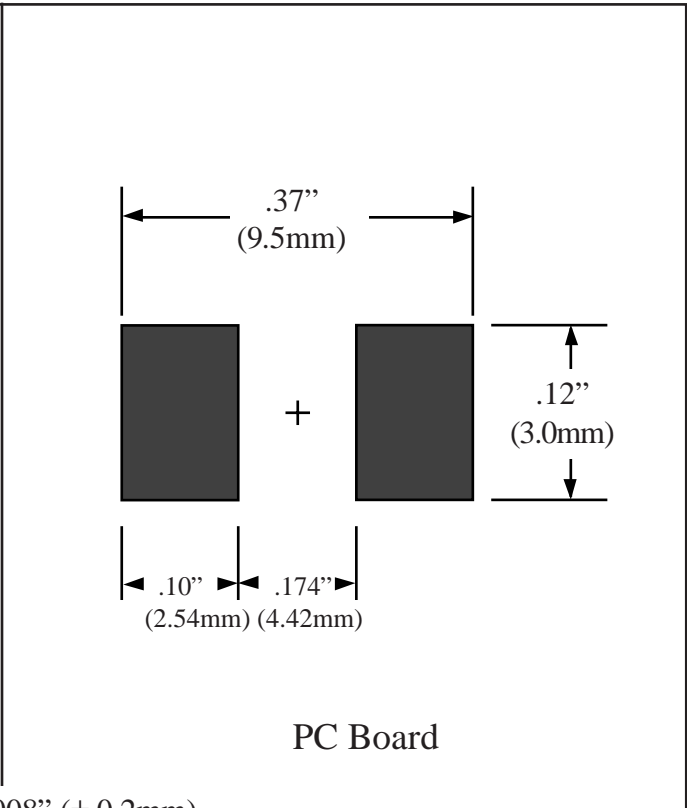
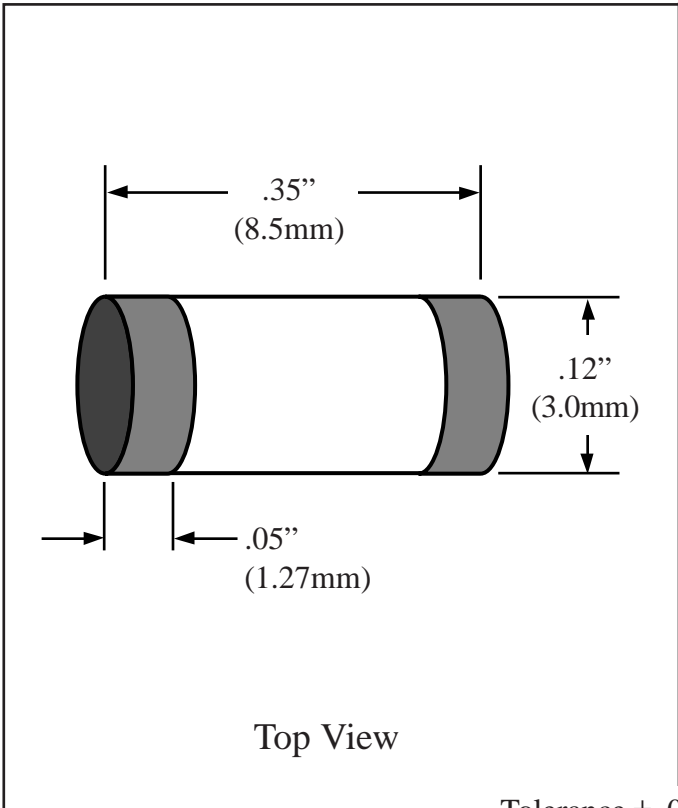


Part # SRM3512
 Maxi MELF Resistor
 Body Size 3612

TopLineTM
 Tel 1-800-776-9888
 info@topline.tv



Tolerance $\pm .008''$ ($\pm 0.2\text{mm}$)

