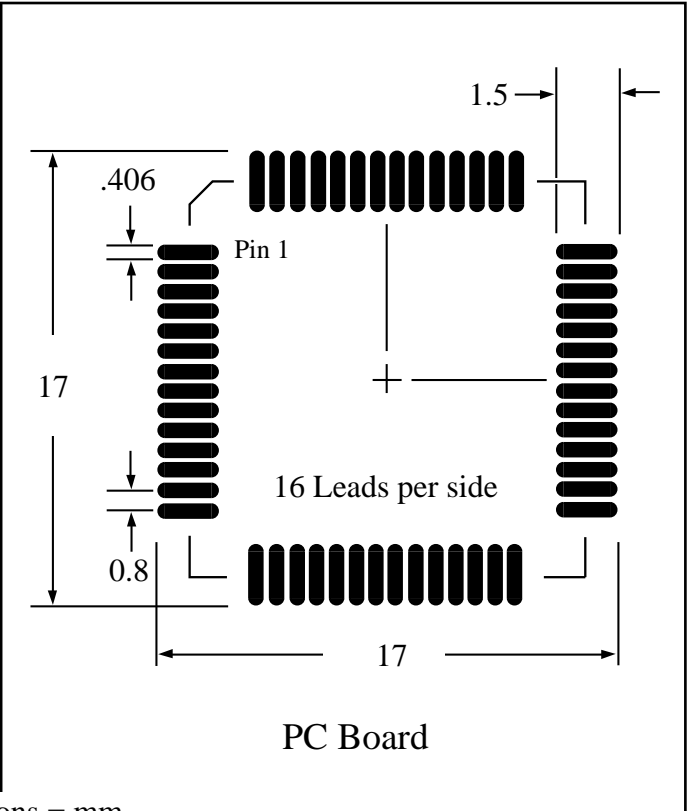
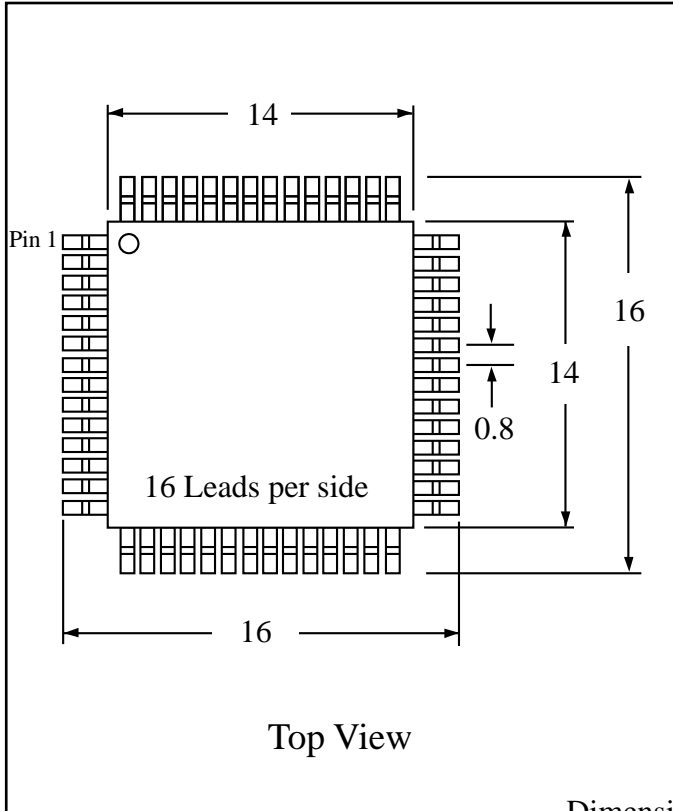


Part # **LQFP64T30**
 Leads **64** Pitch **0.8mm**
 Body Size **14mm SQ**

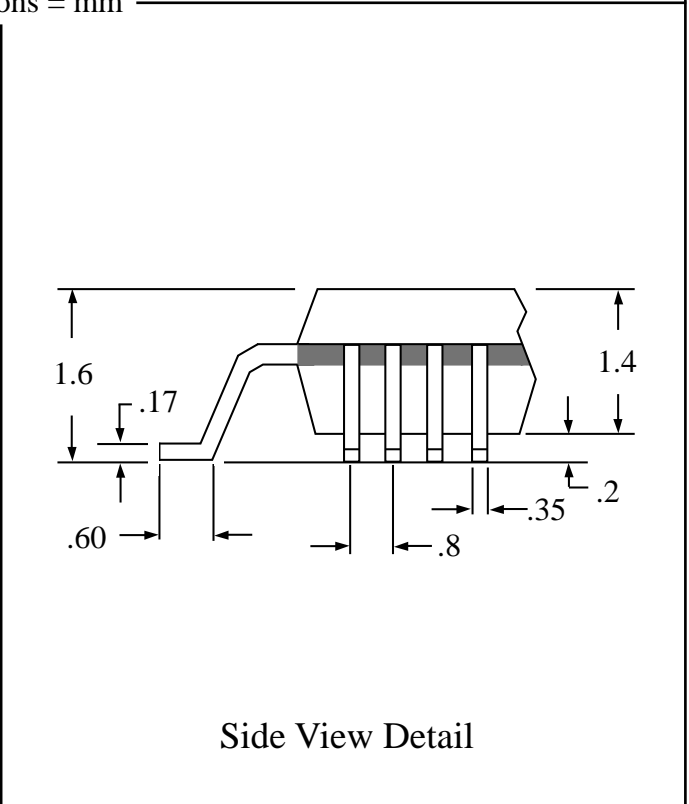
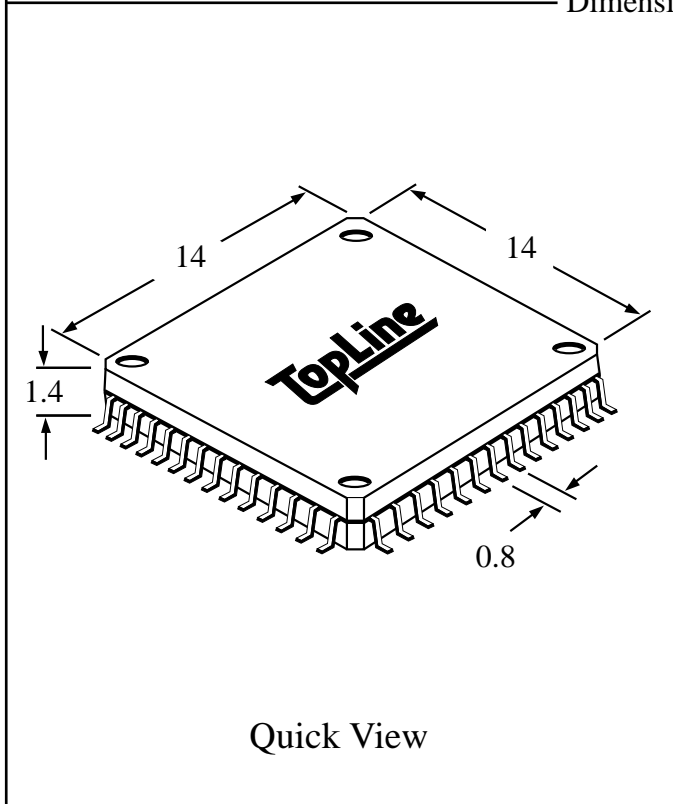


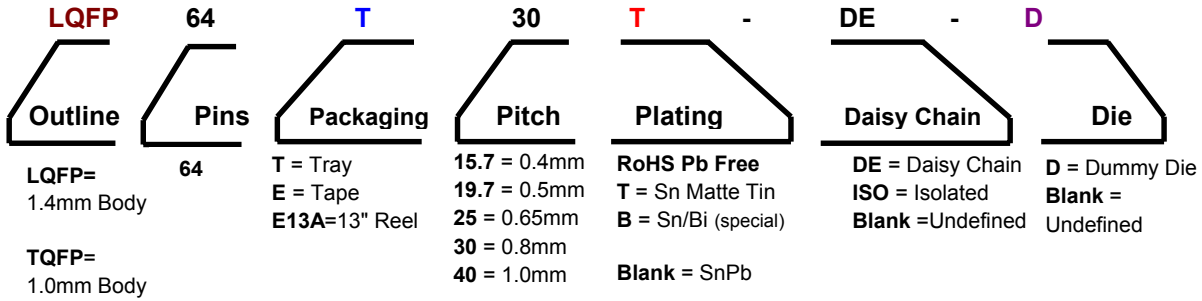
Tel 1-800-766-9888
 info@topline.tv

Dwg Available RoHS Pb-Free



Dimensions = mm





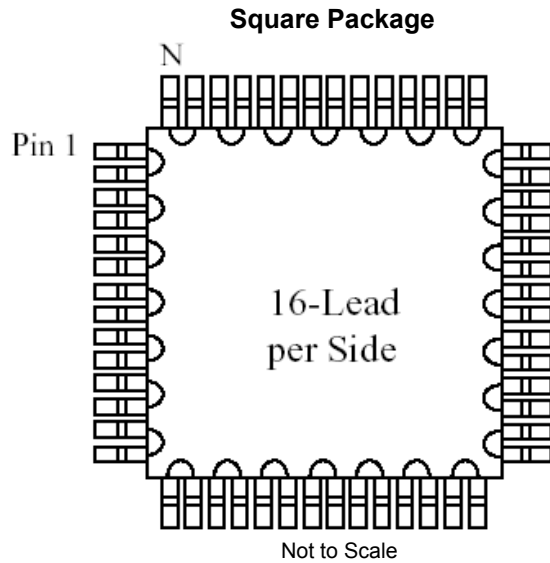
Ordering Steps:

- Step 1: Select outline body thickness TQFP (1.0mm) or LQFP (1.4mm).
- Step 2: Choose packaging. Tray is standard. Tape and Reel is available.
- Step 3: Select plating requirements. RoHS Pb-Free or SnPb
- Step 4: Select options according to your application. See chart below.

| Part Number Packaged in Tray (Standard) | Options | | | | Applications | | | | | |
|---|---------|-------------|-----------|---------------|-------------------|------------------------|------------------------------|-----------------|-----------------|-------------|
| | Plating | Daisy Chain | Dummy Die | Isolated Pins | Mounting Practice | Rework Solder Practice | Reflow Temperature Profiling | Continuity Test | Life Cycle Test | S.I.R. Test |
| LQFP64T30 | SnPb | No | No | No | x | x | | | | |
| LQFP64T30T | Pb-Free | No | No | No | x | x | | | | |
| LQFP64T30-DE-D | SnPb | Yes | Yes | No | x | x | x | x | x | |
| LQFP64T30T-DE-D | Pb-Free | Yes | Yes | No | x | x | x | x | x | |
| LQFP64T30-ISO | SnPb | No | No | Yes | x | x | x | | | x |
| LQFP64T30T-ISO | Pb-Free | No | No | Yes | x | x | x | | | x |

| Part Number Packaged in Tape and Reel | Options | | | | Applications | | | | | |
|---|---------|-------------|-----------|---------------|-------------------|------------------------|------------------------------|-----------------|-----------------|-------------|
| | Plating | Daisy Chain | Dummy Die | Isolated Pins | Mounting Practice | Rework Solder Practice | Reflow Temperature Profiling | Continuity Test | Life Cycle Test | S.I.R. Test |
| LQFP64E13A30 | SnPb | No | No | No | x | x | | | | |
| LQFP64E13A30T | Pb-Free | No | No | No | x | x | | | | |
| LQFP64E13A30-DE-D | SnPb | Yes | Yes | No | x | x | x | x | x | |
| LQFP64E13A30T-DE-D | Pb-Free | Yes | Yes | No | x | x | x | x | x | |
| LQFP64E13A30-ISO | SnPb | No | No | Yes | x | x | x | | | x |
| LQFP64E13A30T-ISO | Pb-Free | No | No | Yes | x | x | x | | | x |

Visit www.TopLine.tv or email info@TopLine.tv for applications assistance.



Daisy Chain Net List TQFP64, LQFP64 and QFP64

| Net List | | Net List | |
|----------|--------|----------|--------|
| From Pin | To Pin | From Pin | To Pin |
| 1 | 2 | 33 | 34 |
| 3 | 4 | 35 | 36 |
| 5 | 6 | 37 | 38 |
| 7 | 8 | 39 | 40 |
| 9 | 10 | 41 | 42 |
| 11 | 12 | 43 | 44 |
| 13 | 14 | 45 | 46 |
| 15 | 16 | 47 | 48 |
| 17 | 18 | 49 | 50 |
| 19 | 20 | 51 | 52 |
| 21 | 22 | 53 | 54 |
| 23 | 24 | 55 | 56 |
| 25 | 26 | 57 | 58 |
| 27 | 28 | 59 | 60 |
| 29 | 30 | 61 | 62 |
| 31 | 32 | 63 | 64 |

Visit www.TopLine.tv or email info@TopLine.tv for applications assistance.