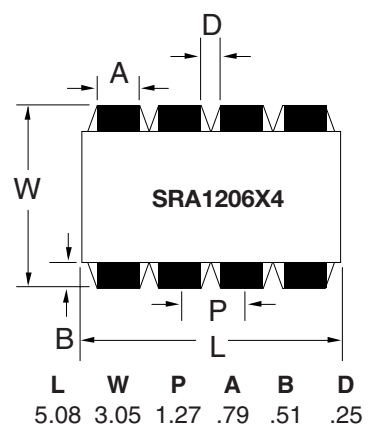
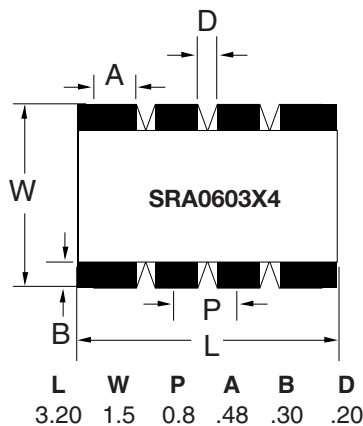
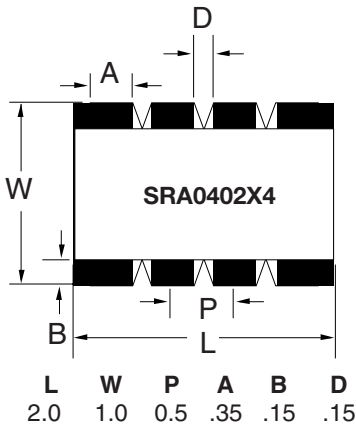




DUMMY COMPONENT ORDERING INFORMATION

INDIVIDUAL CHIP SIZE	LEAD INFO		TAPE INFO		4" (100mm) Tape & Reel Part Number		7" (180mm) Tape & Reel Part Number	
	NBR	PITCH	WIDTH	PITCH	XM1	Q _{TY}	XD1	Q _{TY}
0402 x 4	8	0.5mm	8mm	2mm	-		SRA0402X4P7A	10,000
0603 x 4	8	0.8mm	8mm	4mm	SRA0603X4P4A	500	SRA0603X4P7A	5000
0603 x 8	16	0.8mm	12mm	4mm	-		SRA0603X8E7A	4000
0805 x 4	8	1.27mm	12mm	4mm	-		SRA0805X4P7A	4000
0805 x 8	16	1.27mm	16mm	4mm	-		SRA0805X8E7A	4000
1206 x 4	8	1.27mm	12mm	8mm	SRA1206X4E4A	250	SRA1206X4E7A	2000
1206 x 8	16	1.27mm	16mm	8mm	-		SRA1206X8E7A	2000



Dimensions in millimeter (mm).

**I
N
F
O**

Resistor arrays are efficient and economical to place. The 0402 x 4 is similar in size to a single 0805 chip. The 0603 x 4 is similar in size to a single 1206 chip. The 1206 x 4 is similar in size to a single 2012 chip.