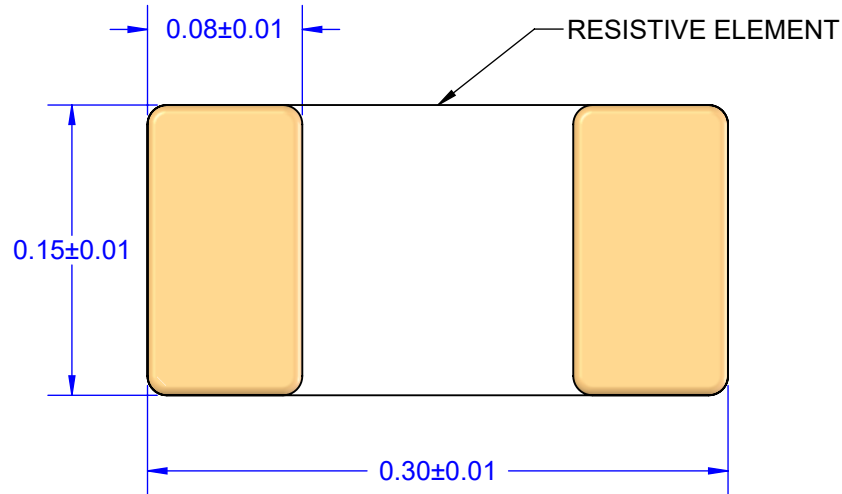
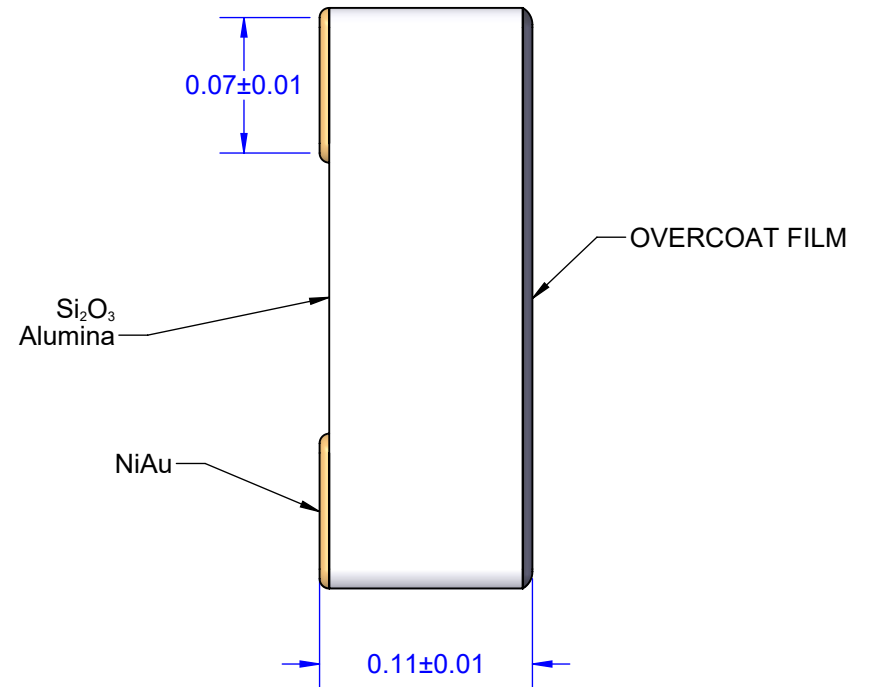


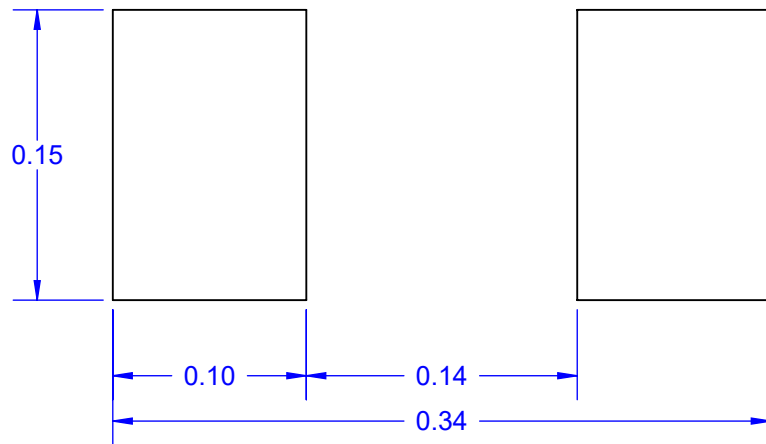
BOTTON VIEW



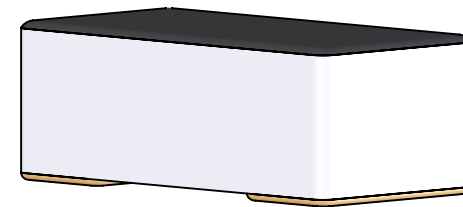
STRUCTURE



RECOMMENDED PCB PATTERN



MODEL

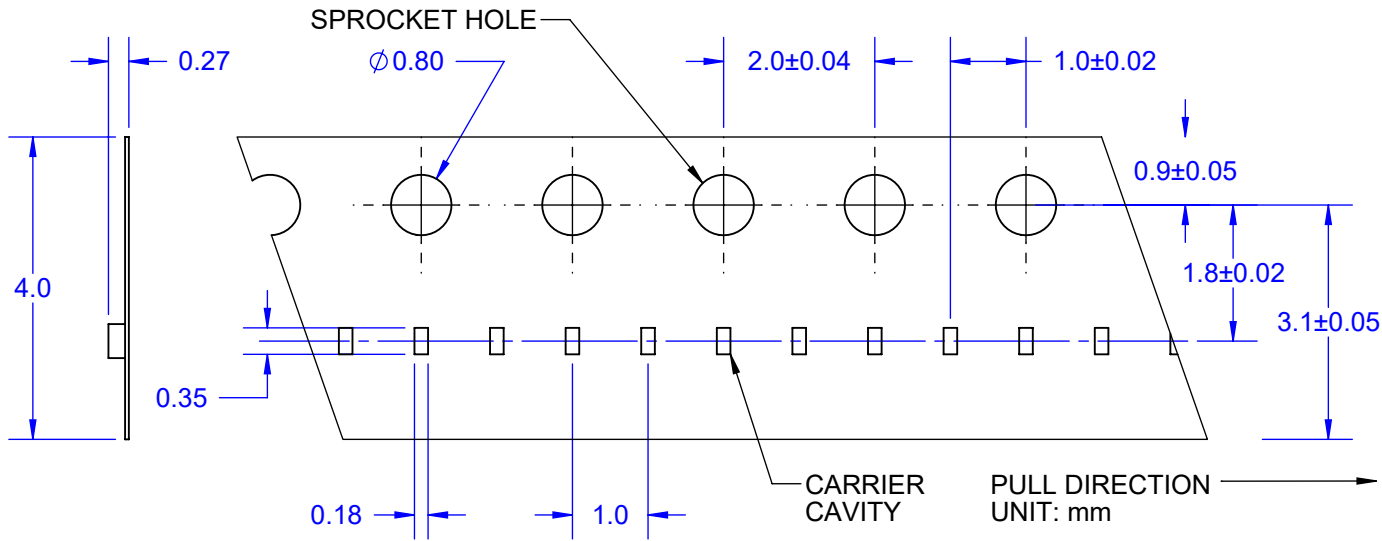


- NOTES: (Unless Otherwise Specified).
 1. DIMENSIONS IN mm.
 2. TERMINATION: Tin (Sn).
 3. Pb-FREE AND HALOGEN FREE.

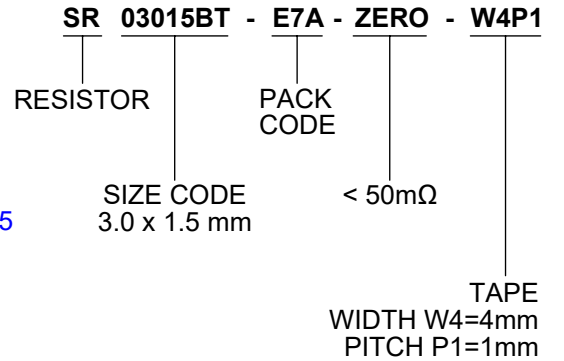
PCB DIMENSIONS ARE PRESENTED ONLY AS A GUIDELINE.
 DESIGNER SHOULD USE THEIR OWN KNOWLEDGE BASE WHEN DESIGNING THE PCB.

APPROVALS	DATE	TopLine®		
DRAWN T. Au	03/02/16			
ENG M. Hart	03/02/16	TITLE SR03015 BT RESISTOR BOTTOM TERMINATED		
MFG		SCALE 256:1	SIZE A	DRAWING NO. 120302
QA				REV A
CUST				
REVISED		DO NOT SCALE DRAWING		SHEET 1 OF 2

W4P1 CARRIER TAPE DIMENSION

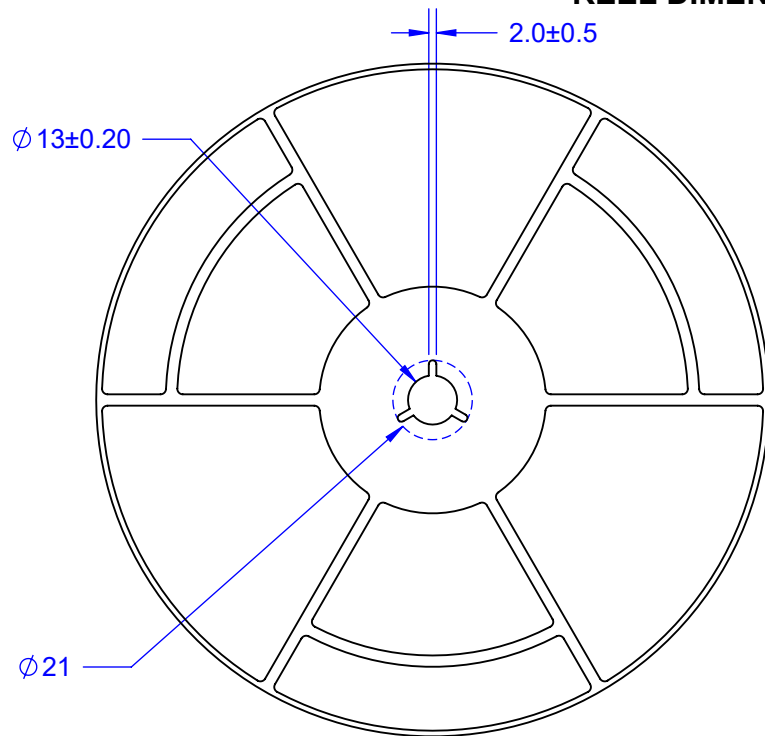


W4P1 TAPE PART NUMBER SYSTEM

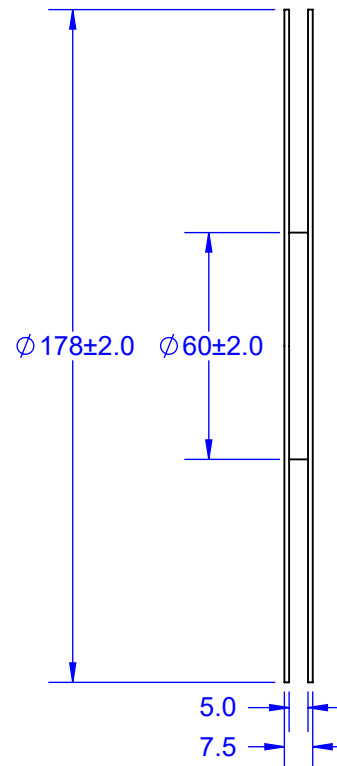


NOTE: FOR DUMMY RESISTOR REPLACE ZERO WITH BLANK.

REEL DIMENSIONS



REEL SCALE 2:1



PACK CODE		
CODE	QTY	PACKAGE
E7A	40,000	REEL
E7B	20,000	REEL
E7C	10,000	REEL
E7D	5,000	REEL
E7F	1,000	REEL

TopLine[®]

TITLE SR03015 BT RESISTOR
BOTTOM TERMINATED

SCALE 10:1	SIZE A	DRAWING NO. 120302	REV A
---------------	-----------	-----------------------	----------

DO NOT SCALE DRAWING

SHEET 2 OF 2