

Part # **SR0603-TIN**

Chip Resistor

Body Size **0603**

Dwg SR0603-TIN.pdf

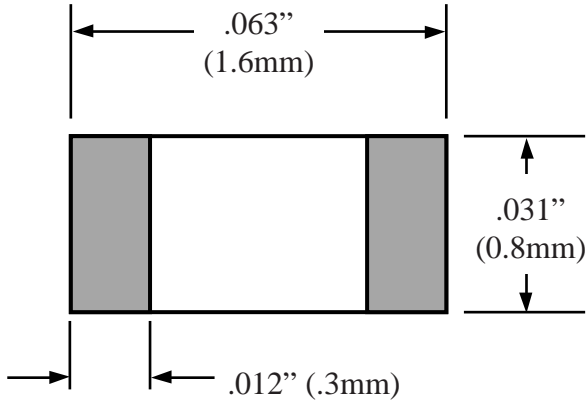


Lead Free

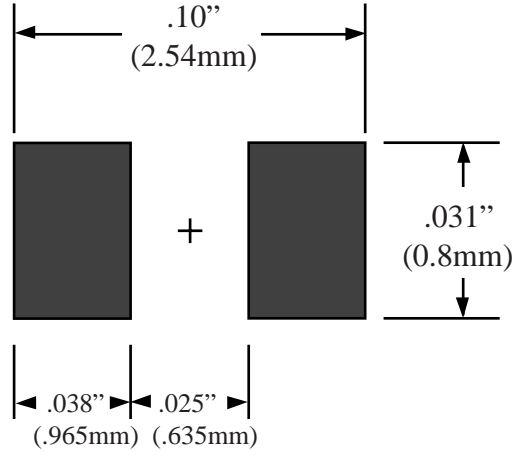
TopLineTM

Tel 1-714-898-3830

info@topline.to

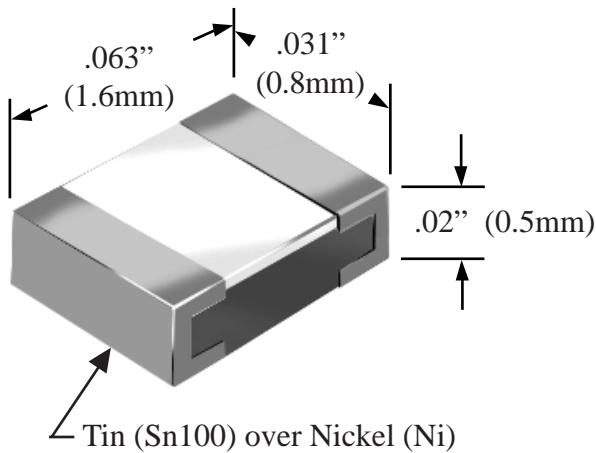


Top View

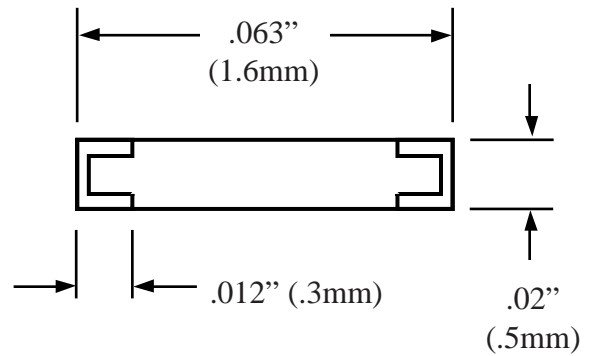


PC Board

Tolerance $\pm .001''$ ($\pm .03\text{mm}$)



Quick View



Side View Detail