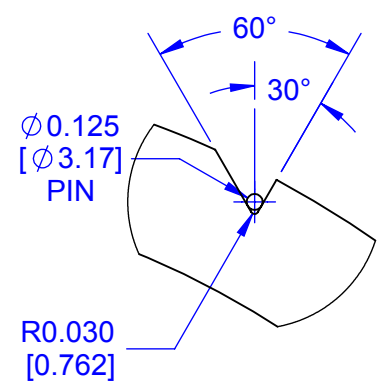


0.060
[1.52]



DETAIL A
SCALE 2 : 3

Notes: (Unless Otherwise Specified).
 1) DIMENSIONS INCHES [MM].
 2) MATERIAL: STAINLESS STEEL.
 3) UNIVERSAL DESIGN FOR DISCO AND K&S MACHINES.

APPROVALS	DATE	TopLine®			
DRAWN T. Au	09/22/13				
ENG M. Hart	09/22/13	TITLE WAFER FRAME 12-INCH (300mm)			
MFG		SCALE	SIZE	DRAWING NO.	REV
QA		1:3	A	191203	A
CUST		DO NOT SCALE DRAWING			SHEET 1 OF 1
REVISED					