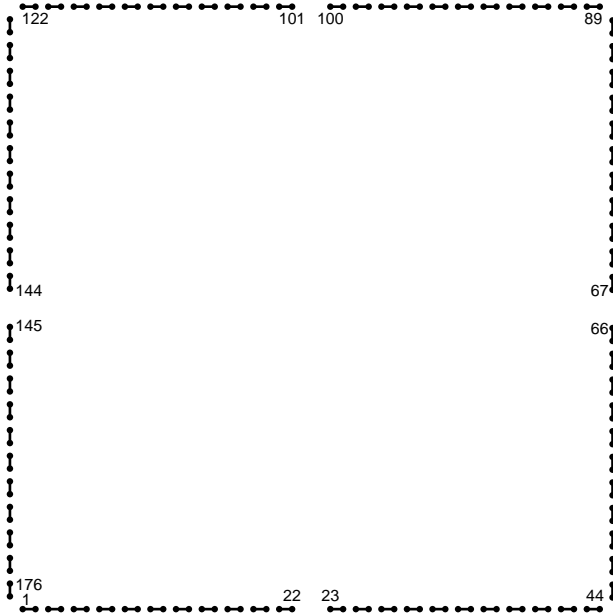
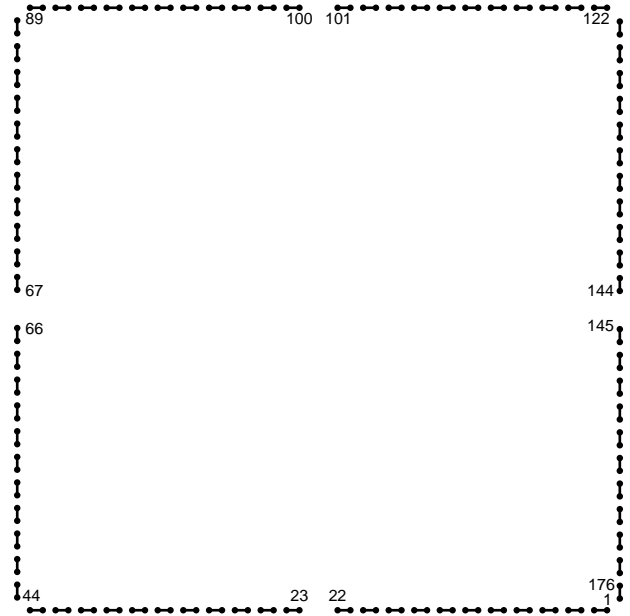


<u>BUMP</u>	<u>PITCH</u>	<u>BUMP DIA.</u>	<u>BODY SIZE</u>	<u>BUMP MAT'L</u>	<u>REF</u>
176	204μm	135μm	10.2mm SQ	Sn63	PB8-4x4

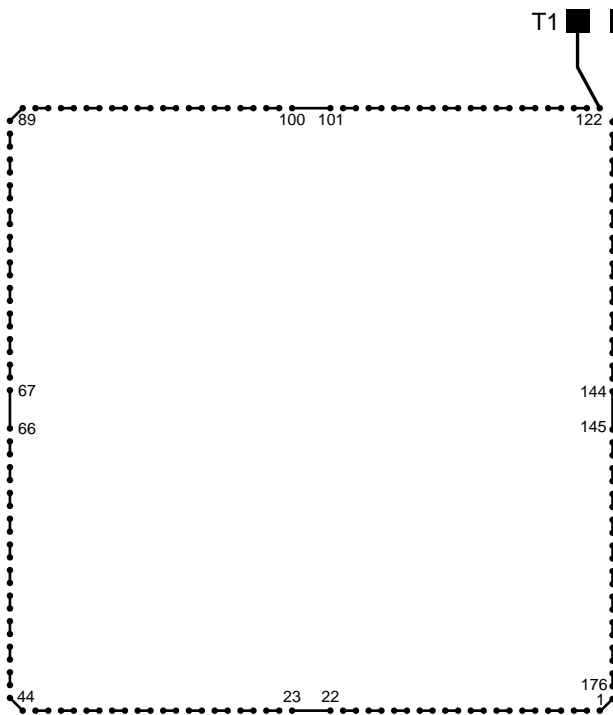
BALL VIEW



X-RAY VIEW

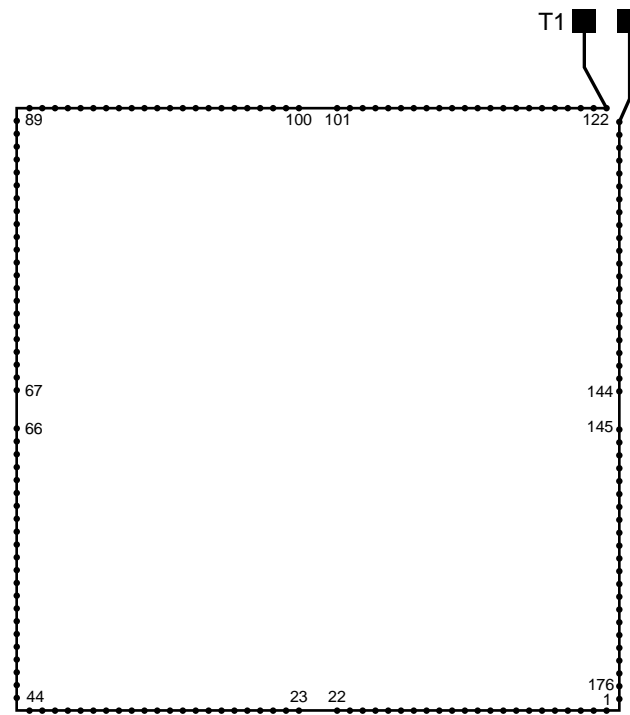


T1 ■ T2



PCB VIEW

T1 ■ T2



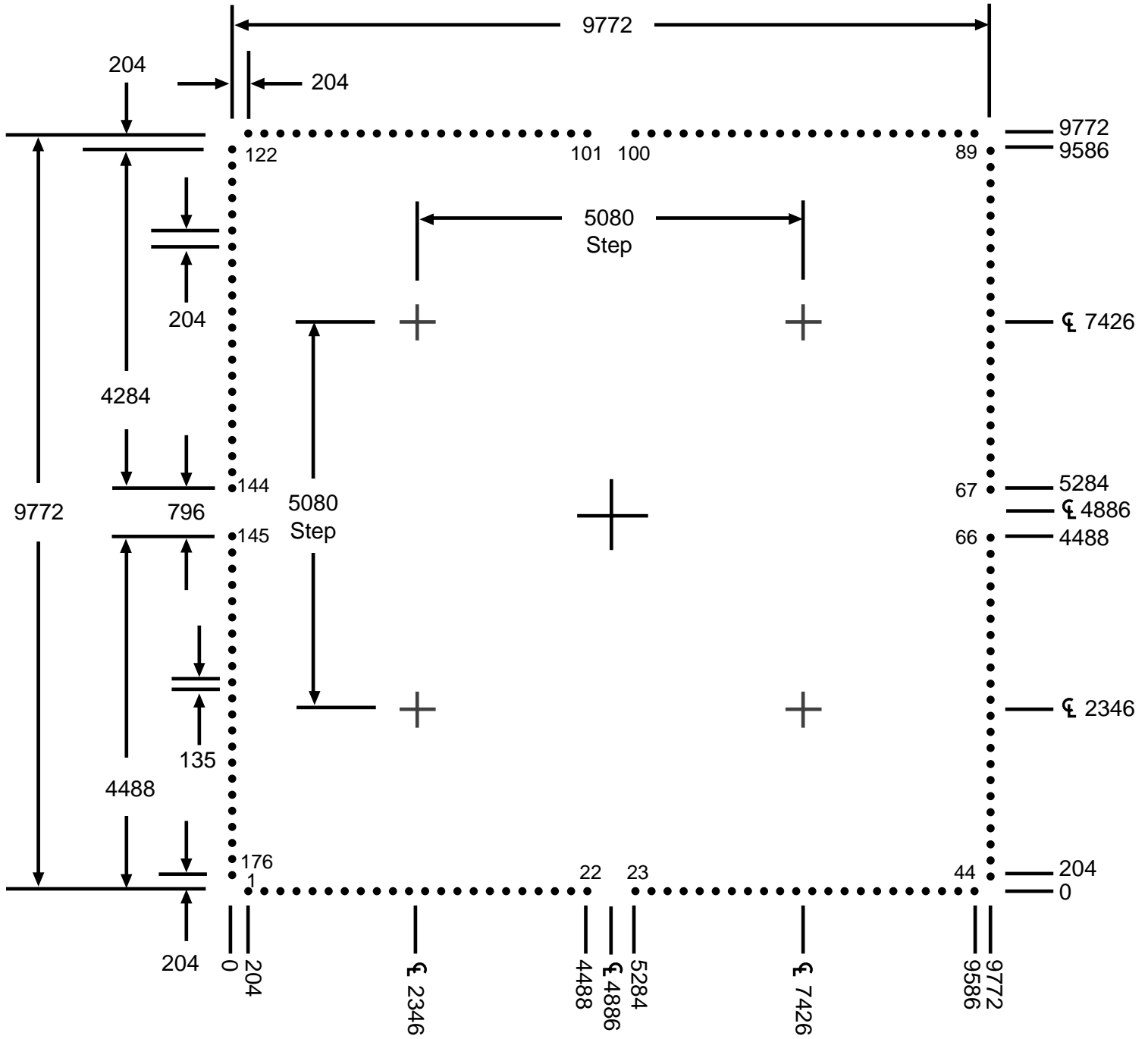
AFTER MOUNTING TO TEST BOARD

FC176G10E204



<u>BUMP</u>	<u>PITCH</u>	<u>BUMP DIA.</u>	<u>BODY SIZE</u>	<u>BUMP MAT'L</u>	<u>REF</u>
176	204 μ m	135 μ m	10.2mm SQ	Sn63	PB8-4x4

TEL 1-714-898-3830
info@toplinedummy.com



BUMP VIEW

Dimension in μ m (1000 μ m = 1.0mm)