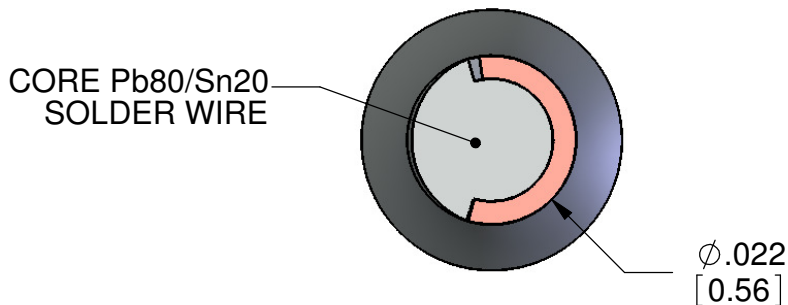
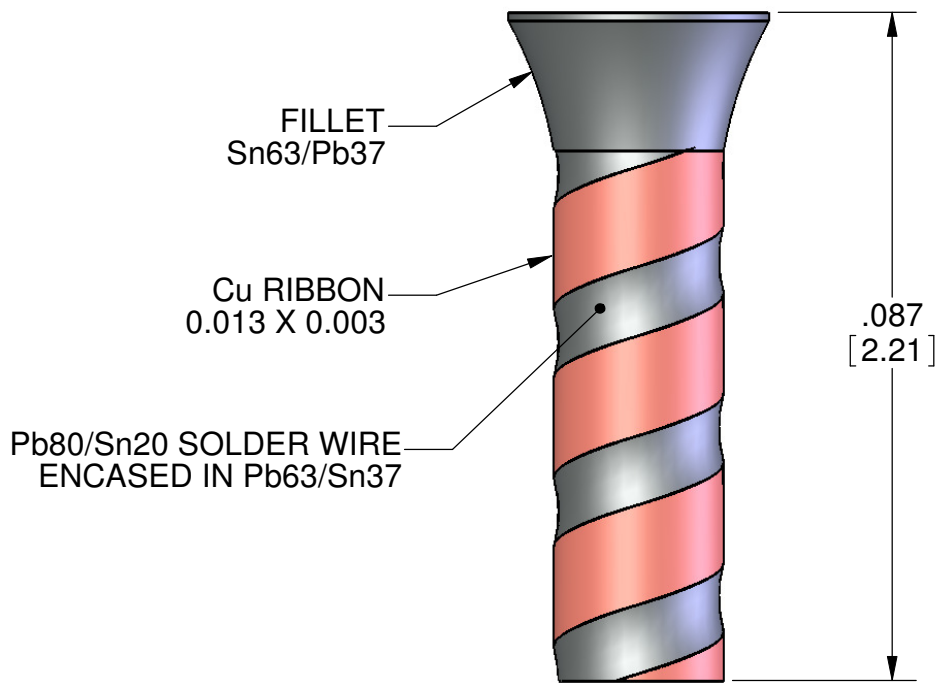
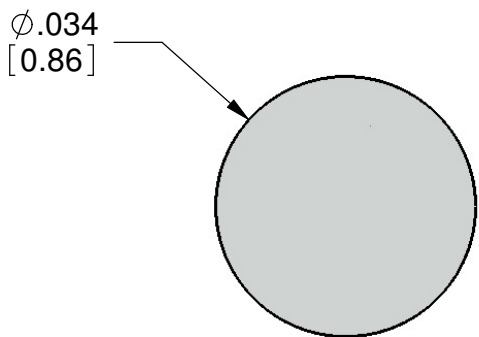


REVISIONS				
DATE	REV.	ECO	DESCRIPTION	APPROVED



Notes: (Unless Otherwise Specified).  
 1) DIMENSIONS: INCH [mm].

THIS DOCUMENT AND THE TECHNOLOGY IT REPRESENTS ARE, AND SHALL REMAIN, THE PROPRIETARY PROPERTY OF TOPLINE. THIS DOCUMENT IS PROVIDED TO RECIPIENT ON A CONFIDENTIAL BASIS WITH THE RECIPIENT'S AGREEMENT THAT IT WILL NOT REPRODUCE, COPY, LOAN, EXHIBIT, NOR USE, EITHER IN WHOLE OR IN PART, THE DOCUMENT OR ITS CONTENT, EXCEPT IN THE LIMITED WAY AND FOR ITS PRIVATE USE AS PERMITTED BY TOPLINE.

TOLERANCE UNLESS NOTED	
X.XX	+/- 0.01
X.XXX	+/- 0.005
X.XXXX	+/- 0.0005
ANGLES	+/- 0.5°
ALL DIMENSIONS IN <input checked="" type="checkbox"/> INCHES <input type="checkbox"/> MILLIMETERS	
THIRD ANGLE PROJECTION	

APPROVALS	DATE
DRAWN J. HINES	5/29/2010
ENG	
MFG	
QA	
CUST	
REVISED	

<b>TopLine</b> <sup>®</sup>			
TITLE SOLDER PIN Pb80/Sn20 WITH FILLET			
SCALE 40:1	SIZE A	DRAWING NO. 160007	REV A
DO NOT SCALE DRAWING		SHEET 1 OF 1	