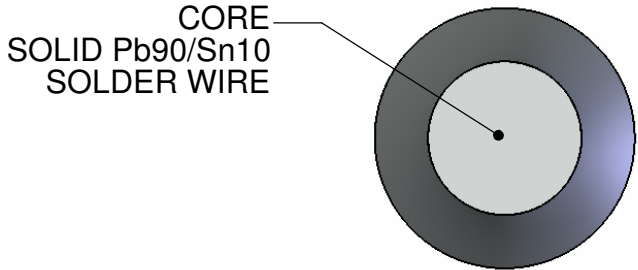
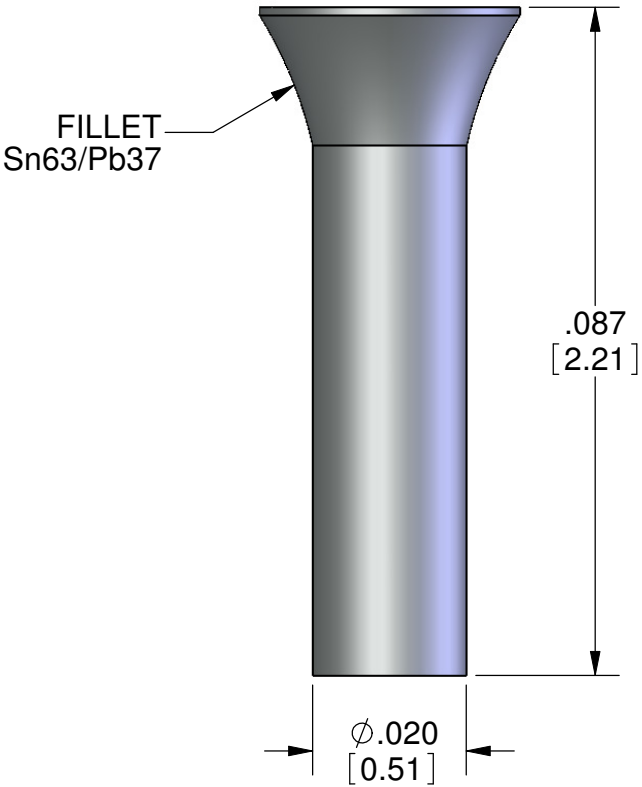
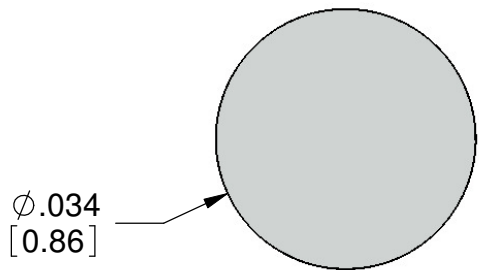


REVISIONS				
DATE	REV.	ECO	DESCRIPTION	APPROVED



Notes: (Unless Otherwise Specified).
 1) DIMENSIONS: INCH [mm].

THIS DOCUMENT AND THE TECHNOLOGY IT REPRESENTS ARE, AND SHALL REMAIN, THE PROPRIETARY PROPERTY OF TOPLINE. THIS DOCUMENT IS PROVIDED TO RECIPIENT ON A CONFIDENTIAL BASIS WITH THE RECIPIENT'S AGREEMENT THAT IT WILL NOT REPRODUCE, COPY, LOAN, EXHIBIT, NOR USE, EITHER IN WHOLE OR IN PART, THE DOCUMENT OR ITS CONTENT, EXCEPT IN THE LIMITED WAY AND FOR ITS PRIVATE USE AS PERMITTED BY TOPLINE.

TOLERANCE UNLESS NOTED		APPROVALS		DATE		TopLine [®]			
X.XX	+/- 0.01	DRAWN J. HINES		5/29/2010					
X.XXX	+/- 0.005	ENG				SCALE 40:1			
X.XXXX	+/- 0.0005	MFG							
ALL DIMENSIONS IN <input checked="" type="checkbox"/> INCHES <input type="checkbox"/> MILLIMETERS		QA				DRAWING NO. 160008			
THIRD ANGLE PROJECTION		CUST							
		REVISED				DO NOT SCALE DRAWING			