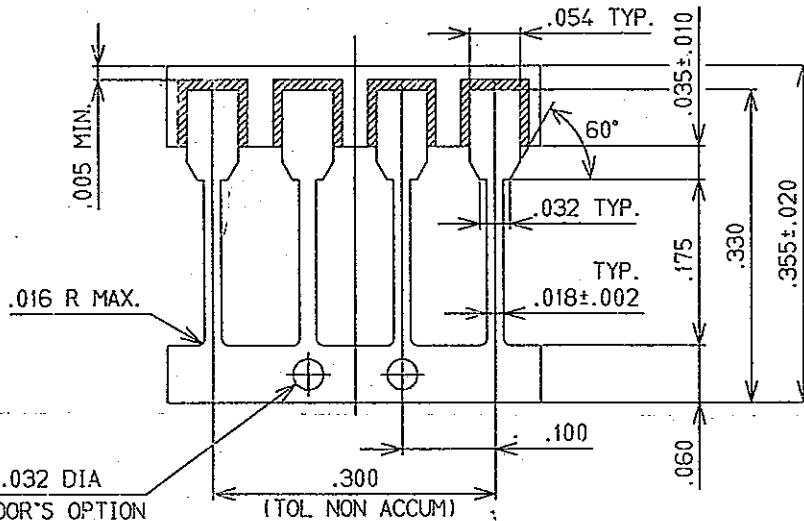
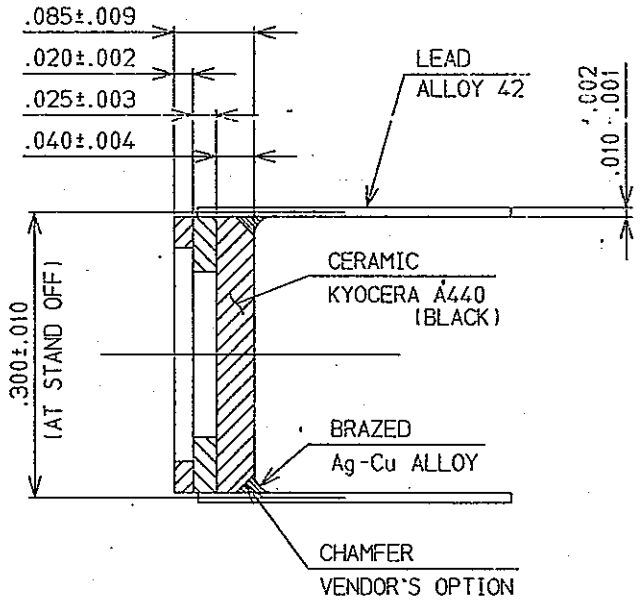
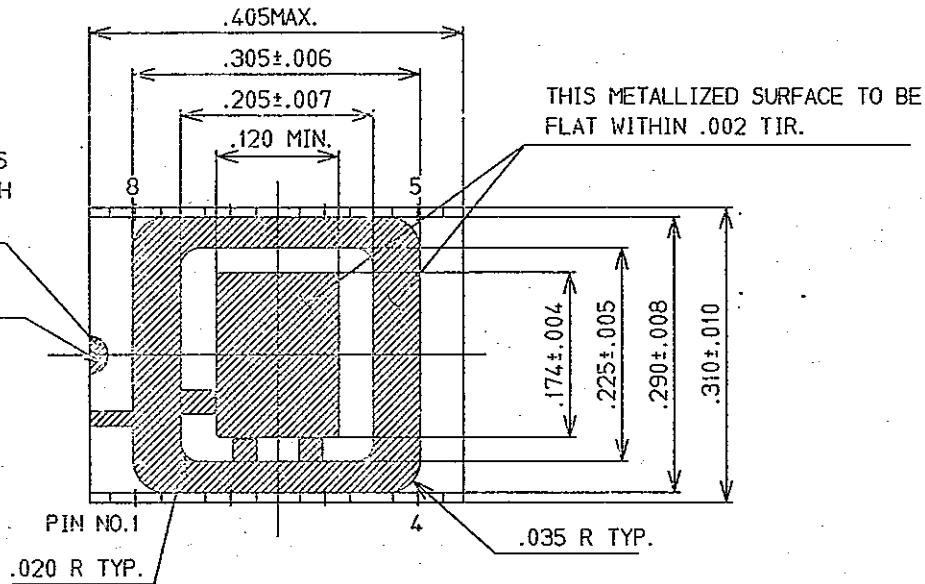


THIS METALLIZED AREA IS CONNECTED TO DIE ATTACH PAD.

.020 R NOTCH



NOTES:

1. PLATING THICKNESS TO BE PER CUSTOMER'S SPECIFICATION.
2. SEAL AREA TO BE METALLIZED.
3. DIE ATTACH AREA TO BE METALLIZED.
4. SEAL RING AND DIE ATTACH PAD TO BE FLOATING FROM ANY PINS.
5. LEAD RESISTANCE: 0.20Ω MAX.

MODIFICATION					NAME	TOLERANCE	DRAWN	CHECKED	APPROVED	DATE
					8 LEAD SIDE BRAZED PACKAGE	UNLESS OTHERWISE SPECIFIED	S.N	T.A		NOV.28.'84
					SCALE 7/1	MATERIAL AS INDICATED	±.005	<i>[Signature]</i>	<i>[Signature]</i>	<i>[Signature]</i>
	REDRAWN (CONVERTED CAD DATA)	APR.4.'85	Y.M	T.C/S.F	T.A	THIRD ANGLE PROJECTION	DRAWING NO.			SHEET
	CHANGED	DATE	DRAWN	CHECKED	APPROVED					1/2