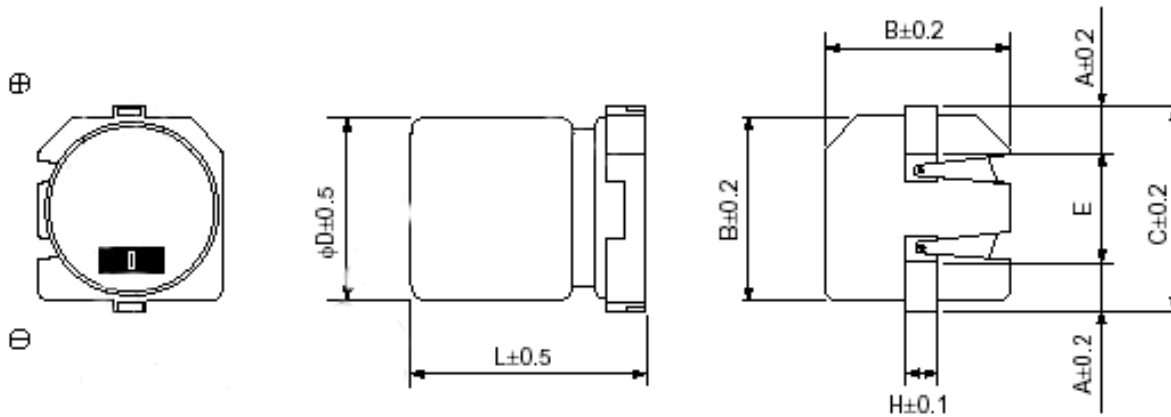
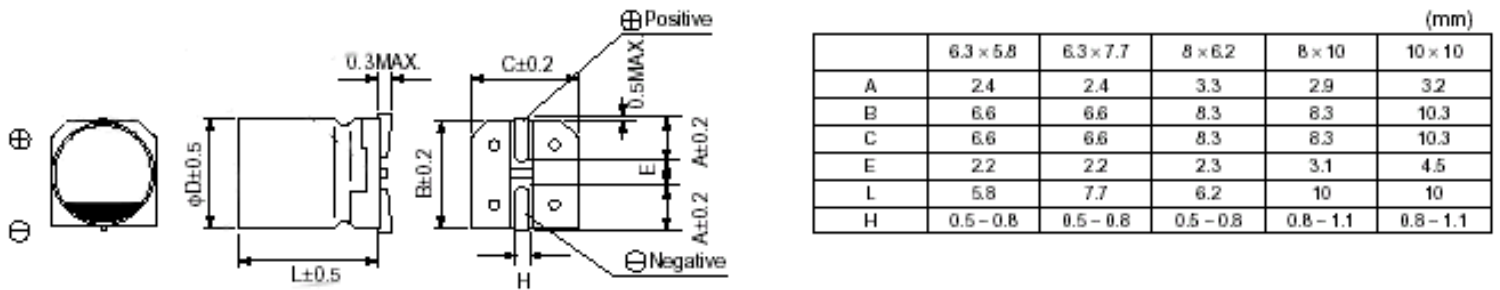
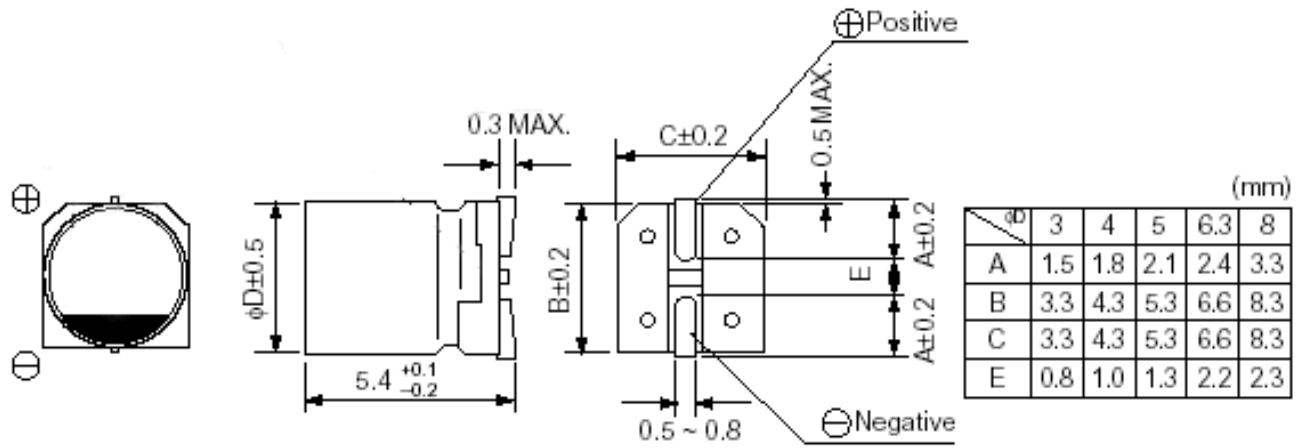


DUMMY COMPONENT ORDERING INFORMATION

CASE DIAMETER	MAXIMUM HEIGHT	TAPE INFO		7" (180mm)  Tape & Reel Part Number		13" (330mm)  Tape & Reel Part Number	
		WIDTH	PITCH	XM1	QTY	XD1	QTY
3mm	5.5mm	12mm	8mm	-	-	SE3E13A	2000
4mm	5.5mm	12mm	8mm	SE4E7A	100	SE4E13A	2000
5mm	5.5mm	12mm	12mm	SE5E7A	100	SE5E13A	1000
6.3mm	5.5mm	16mm	12mm	SE6E7A	100	SE6E13A	1000
8mm	6.0mm	16mm	12mm	-	-	SE8E13A	1000
8mm	10mm	24mm	16mm	-	-	SE9E13A	500
10mm	10mm	24mm	16mm	-	-	SE10E13A	500
12.5mm	14mm	32mm	24mm	-	-	SE12E13A	200/250
12.5mm	17mm	32mm	24mm	-	-	SE13E13A	150/200
16mm	17mm	44mm	28mm	-	-	SE16E13A	125/150
16mm	22mm	44mm	28mm	-	-	SE17E13A	75/100
18mm	22mm	44mm	32mm	-	-	SE18E13A	75
18mm	17mm	44mm	32mm	-	-	SE19E13A	75/100

Aluminum electrolytic capacitors are available in 13 case sizes. Aluminum capacitors are polarized devices and require proper orientation during placement. The negative terminal (black mark on top of component) faces the sprocket holes on the carrier tape.

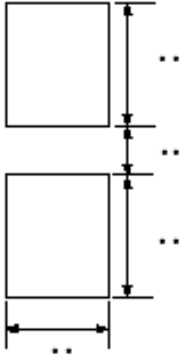
Al Cap Specs



φD	12.5	16	18	20
A	4.0	4.5	5.0	5.0
B	13.6	17.1	19.1	21.1
C	16.0	19.5	21.5	23.5
E	8.0	10.5	11.5	13.5
H	2.5	3.75	3.75	3.75

Recommended PCB Land Pattern

Recommended Land Size



Size	X	Y	a
φ3	1.6	2.2	0.8
φ4	1.6	2.6	1.0
φ5	1.6	3.0	1.4
φ6.3	1.6	3.5	2.1
φ8×5.5L, φ8×6.2L	2.5	4.0	2.1
φ8×10L	2.5	3.5	3.0
φ10×10L	2.5	4.0	4.0
φ12.5	4.0	7.5	7.0
φ16	6.0	8.5	9.5
φ18	6.0	9.5	10.5
φ20	6.0	9.5	12.5

Fig.1 For $\phi 3 \sim \phi 10$

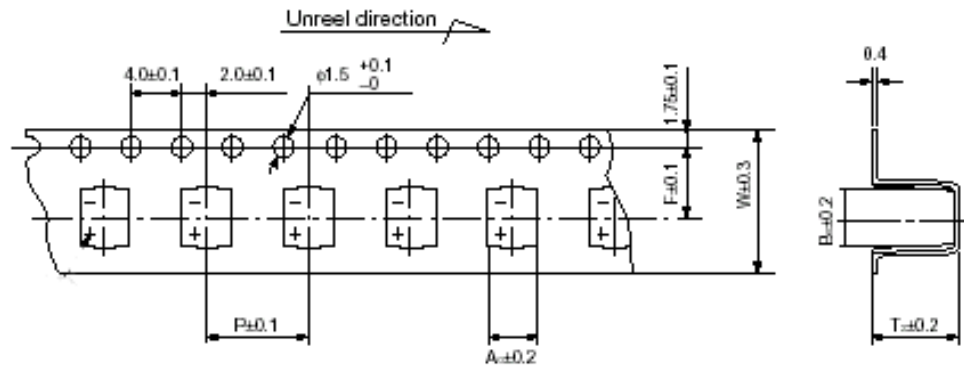
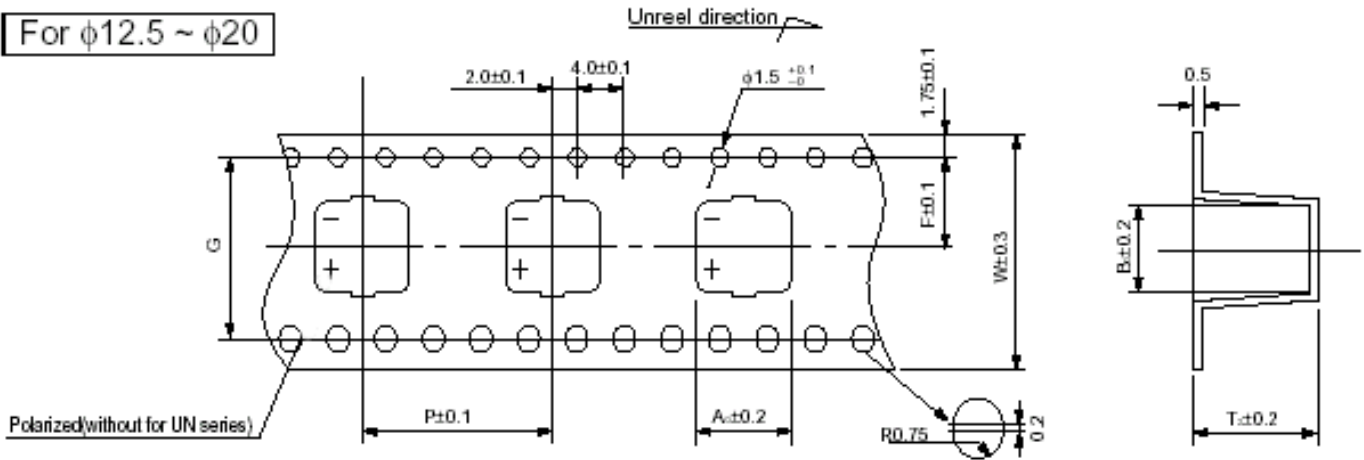
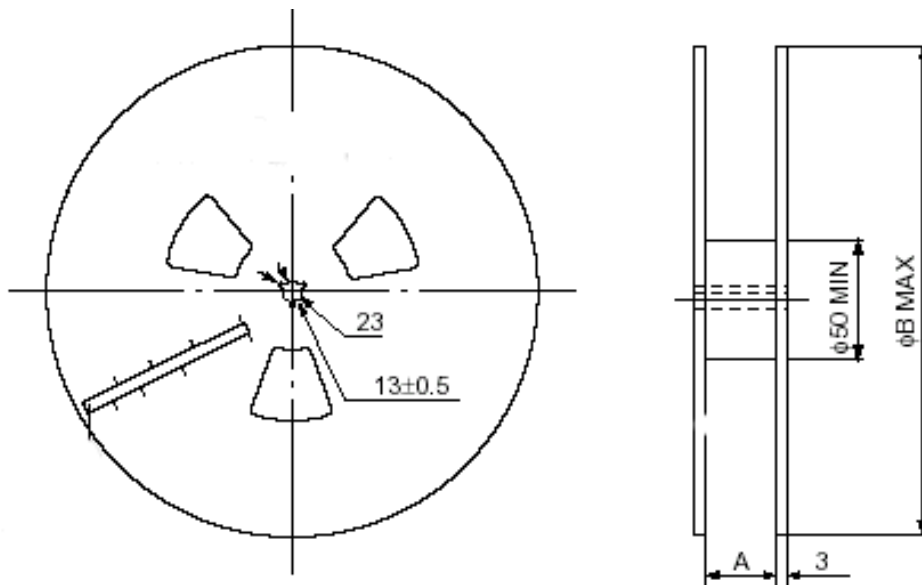


Fig.2 For $\phi 12.5 \sim \phi 20$

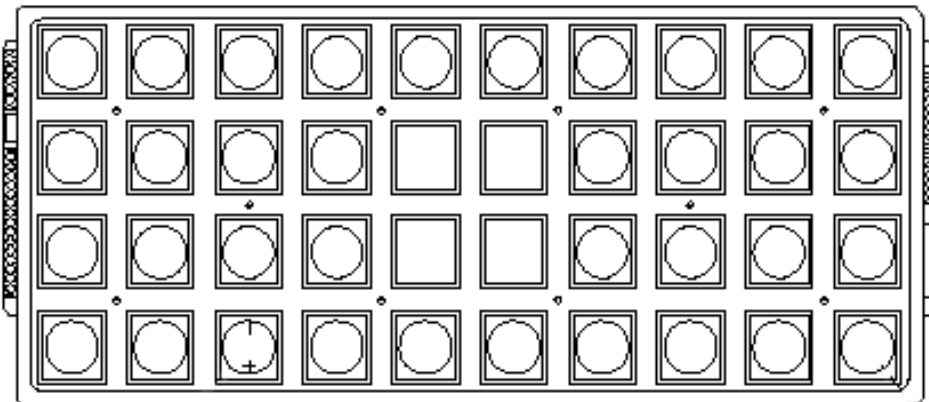


Size	Item							fig	
	W	P	F	A0	B0	T2	G		
$\phi 4 \times 3.9$ L	12.0	8.0	5.5	5.0	5.0	4.3	-	1	
$\phi 5 \times 3.9$ L	12.0	12.0	5.5	6.0	6.0	4.3			
$\phi 6.3 \times 3.9$ L	16.0	12.0	7.5	7.0	7.0	4.4			
$\phi 4 \times 4.5$ L	12.0	8.0	5.5	5.0	5.0	4.9	-	1	
$\phi 5 \times 4.5$ L	12.0	12.0	5.5	6.0	6.0	4.9			
$\phi 6.3 \times 4.5$ L	16.0	12.0	7.5	7.0	7.0	5.0			
$\phi 3 \times 5.4$ L	12.0	8.0	5.5	3.5	3.6	5.8	-	1	
$\phi 4 \times 5.4$ L	12.0	8.0	5.5	5.0	5.0	5.8			
$\phi 5 \times 5.4$ L	12.0	12.0	5.5	6.0	6.0	5.8			
$\phi 6.3 \times 5.4$ L	16.0	12.0	7.5	7.0	7.0	5.8	-	1	
$\phi 8 \times 5.4$ L	16.0	12.0	7.5	8.7	8.7	5.8			
$\phi 4 \times 5.8$ L	12.0	8.0	5.5	5.0	5.0	6.3			
$\phi 5 \times 5.8$ L	12.0	12.0	5.5	6.0	6.0	6.3	-	1	
$\phi 6.3 \times 5.8$ L	16.0	12.0	7.5	7.0	7.0	6.3			
$\phi 8 \times 6.2$ L	16.0	12.0	7.5	8.7	8.7	6.8			
$\phi 6.3 \times 7.7$ L	16.0	12.0	7.5	7.0	7.0	8.0	-	1	
$\phi 8 \times 10$ L	24.0	16.0	11.5	8.7	8.7	11.0			
$\phi 10 \times 10$ L	24.0	16.0	11.5	10.7	10.7	11.0			
$\phi 12.5 \times 13.5$ L	32.0	24.0	14.2	14.0	14.0	14.0	28.4	2	
$\phi 12.5 \times 16$ L	32.0	24.0	14.2	14.0	14.0	16.3			
$\phi 12.5 \times 21$ L	32.0	24.0	14.2	14.0	14.0	21.3			
$\phi 16 \times 16.5$ L	44.0	28.0	20.2	17.5	17.5	16.8			
$\phi 16 \times 21.5$ L	44.0	28.0	20.2	17.5	17.5	21.8			
$\phi 18 \times 16.5$ L	44.0	32.0	20.2	19.5	19.5	16.8			
$\phi 18 \times 21.5$ L	44.0	32.0	20.2	19.5	19.5	21.8			
$\phi 20 \times 16.5$ L	44.0	36.0	20.2	21.5	21.5	17.0			



ϕD	3, 4	5	6.3	8 × 5.5, 8 × 6.2	8 × 10, 10 × 10	12.5	16, 18, 20
A	14	14	18	18	26	34	46
B	382	382	382	382	382	332	332

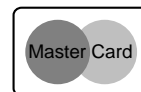
Tray for 12.5mm to 20mm Diameter



HOW TO ORDER

PAYMENT TERMS

- Credit Terms (Net 30) for established customers.
- American Express, JCB, Mastercard and VISA accepted.



CONFIRMING PURCHASE ORDERS

- Confirming purchase orders are required for all orders over \$500.



MINIMUM PER ORDER

- USA/Canada \$50 minimum. • Export \$1000.

F.O.B. POINT AND SHIPPING

- F.O.B. Garden Grove, California. Please specify preferred method of shipment when placing order.

Visit our website
www.dummy.tv

email inquiries
sales@topline.tv

TopLine[™]

11731 Markon Drive, Garden Grove, CA 92841 USA

Toll Free USA/Canada 1-800-776-9888

Tel 1-714-898-3830

Fax 1-714-891-0321

e-mail sales@topline.tv

www.dummy.tv

© 2001. TopLine. All Rights Reserved

This catalog, or any parts thereof, must not be reproduced in any form without written permission of TopLine.