
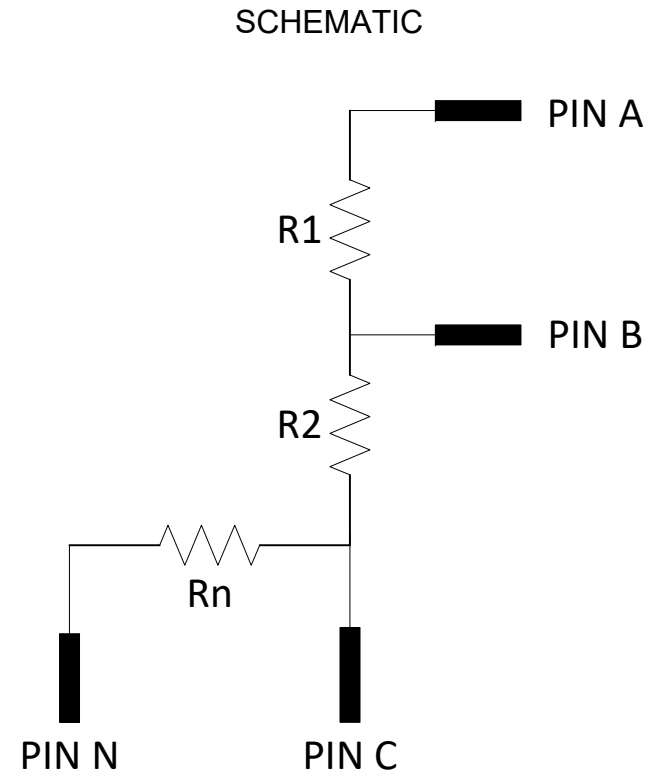
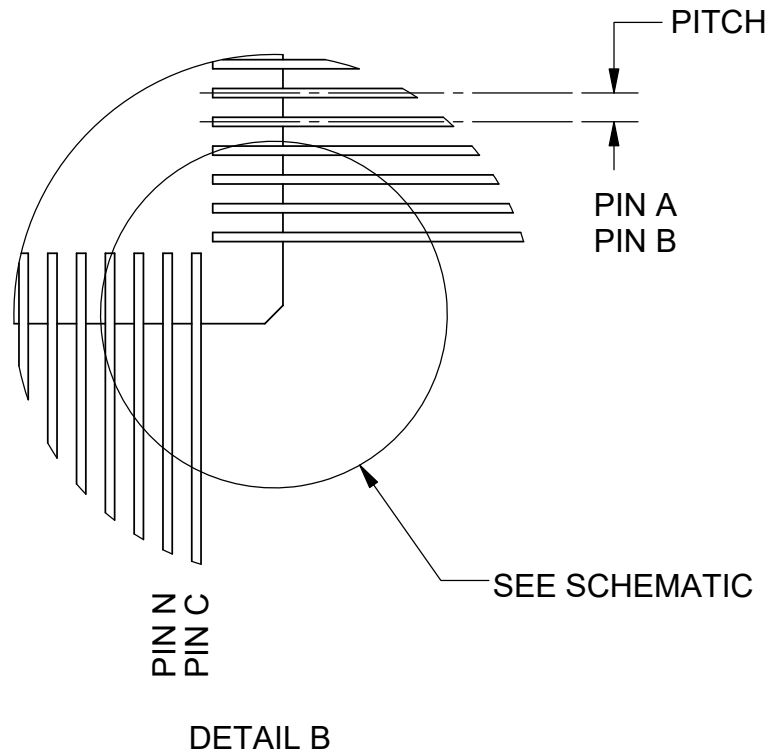


SECTION A-A

- NOTES: (UNLESS OTHERWISE SPECIFIED).
- 1) DIMENSIONS: MM [INCH]
  - 2) FLAT LEADS ON TIE BAR KOVAR OR ALLOY 42.
  - 3) ALL EXPOSED METAL GOLD PLATED (Au).
  - 4) BUS CIRCUIT - ALL PINS CONNECTED.

TOLERANCE UNLESS NOTED		APPROVALS	DATE				
X.X	+/- 0.3	DRAWN J. Hines	9/30/2016				
X.XX	+/- 0.03		9/30/2016				
X.XXX	+/- 0.003	ENG M. Hart		SCALE 1.75:1    SIZE A    DRAWING NO. 132001    REV A			
ANGLES +/- 0.5°		MFG					
ALL DIMENSIONS IN		THIRD ANGLE PROJECTION		DO NOT SCALE DRAWING    SHEET 1 OF 2			
<input type="checkbox"/> INCHES <input checked="" type="checkbox"/> MILLIMETERS		QA					
		CUST					
		REVISED					

RESISTANCE TABLE (SCHEMATIC)			
FROM	TO	REF	MILLI-OHM
PIN A	PIN B	R1	<50
PIN B	PIN C	R2	<50
PIN C	PIN N	Rn	<50



NOTES:  
1) BUS CIRCUIT - ALL PINS CONNECTED.

<b>TopLine</b> <sup>®</sup>			
TITLE		CERQUAD BUS CIRCUIT	
SCALE	SIZE	DRAWING NO.	REV
6:1	A	132001	A
DO NOT SCALE DRAWING			SHEET 2 OF 2