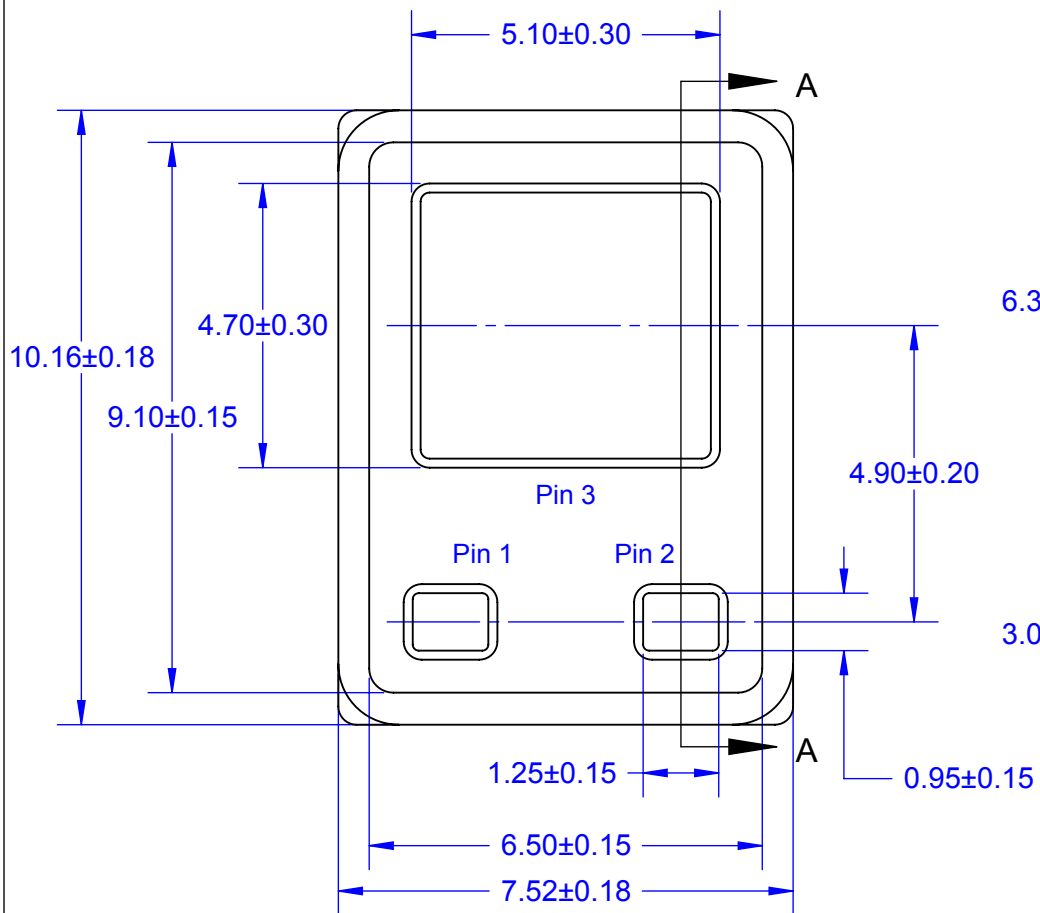
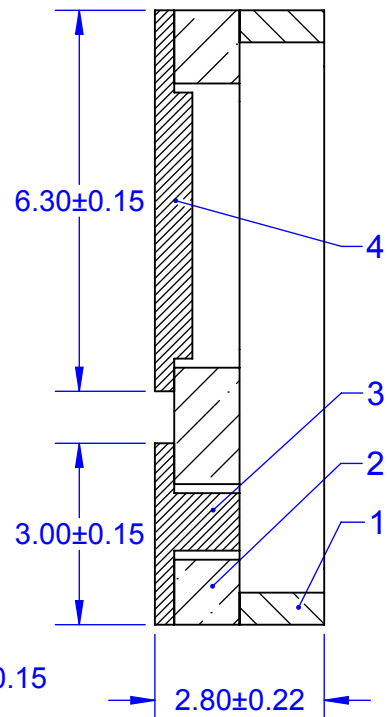


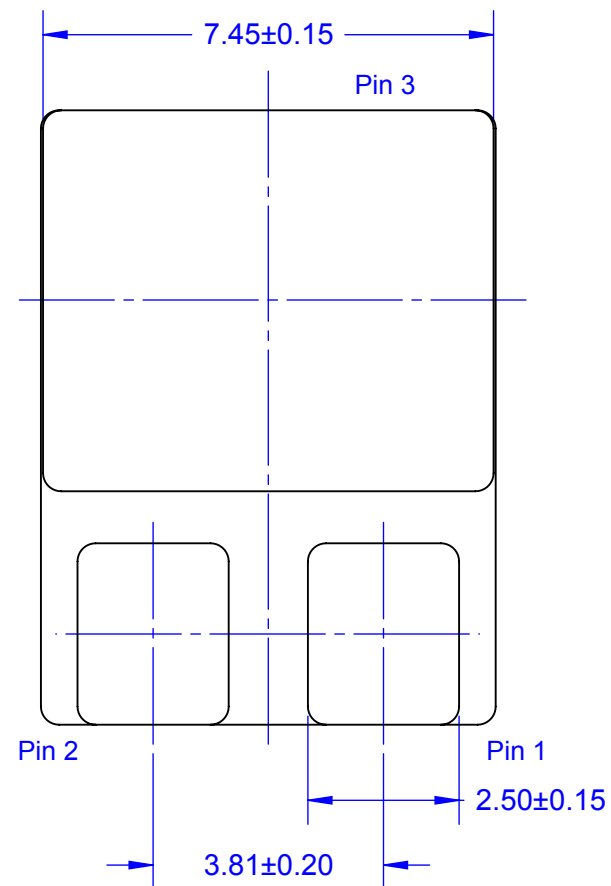
**TOP VIEW
SHOWN WITHOUT LID**



SIDE VIEW




BOTTOM VIEW



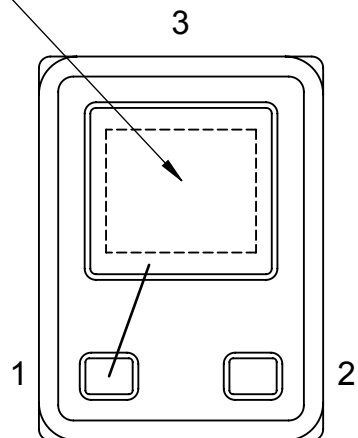
Part Number Table

Part Number	JEDEC	Daisy Chain	Dummy Die	Attached Lid	DWG Number
SMD.5-N	TO-276AA	NO	NO	NO	800500
SMD.5-ISO	TO-276AA	NO	NO	YES	800501
SMD.5-DC123	TO-276AA	YES	NO	YES	800502
SMD.5-DC123D	TO-276AA	YES	YES	YES	800503
SMD.5	TO-276AA	NO	NO	YES	800509
LID SMD.5	TO-276AA	-	-	Unattached	200500

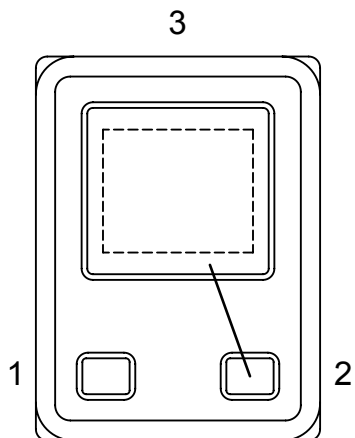
APPROVALS	DATE				
DRAWN T.Au	06/20/13				
ENG M. Hart	06/20/13	TITLE SMD.5 (TO-276AA) POWER PACKAGE			
MFG		SCALE 8:1	SIZE A	DRAWING NO. 800500	REV A
QA		DO NOT SCALE DRAWING			SHEET 1 OF 4
CUST					
REVISED					

**INTERNAL WIRING CIRCUIT (JUMPER)
DAISY CHAIN PART NUMBER SUFFIX
TOP VIEW**

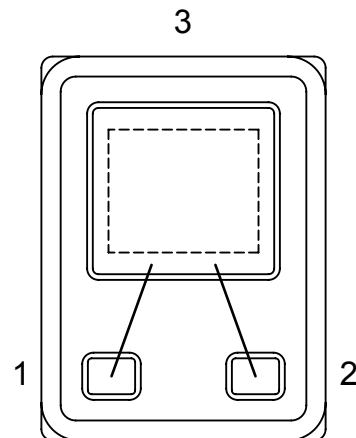
OPTIONAL DUMMY DIE



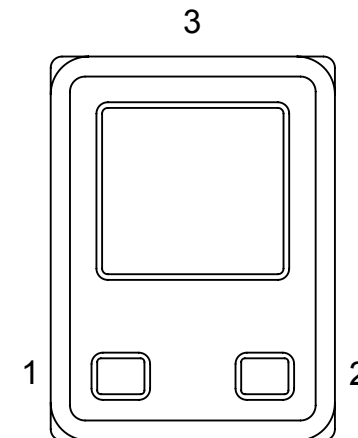
**DC13
WITH LID
ATTACHED**



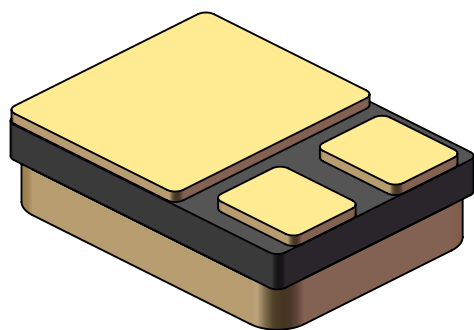
**DC23
WITH LID
ATTACHED**



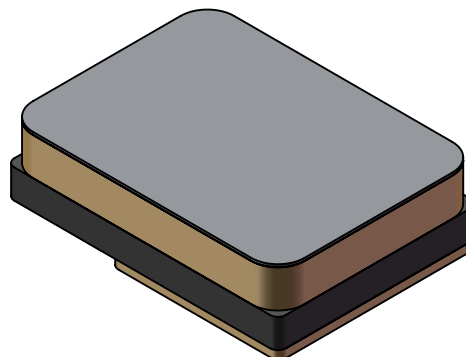
**DC123
WITH LID
ATTACHED**



**OPTION -N
OPEN CAVITY
WITHOUT LID ATTACHED**



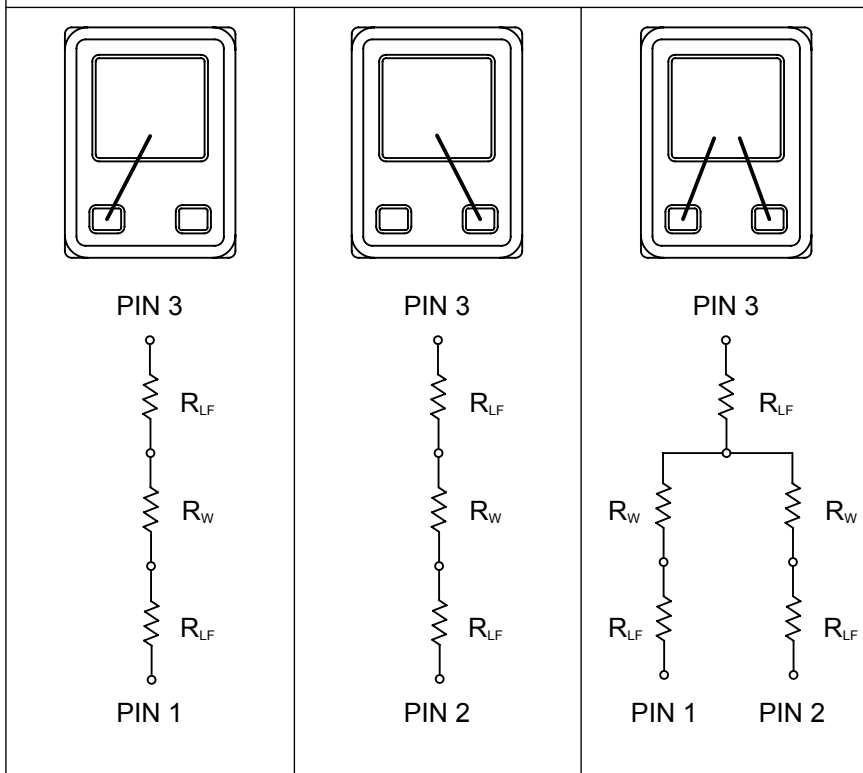
**BOTTOM
VIEW OF TERMINALS**



**TOP
LID ATTACHED**

TopLine®			
TITLE		SMD.5 (TO-276AA) POWER PACKAGE	
SCALE	SIZE	DRAWING NO.	REV
5:1	A	800500	A
DO NOT SCALE DRAWING			SHEET 2 OF 4

SCHEMATIC EQUIVALENT INTERNAL CIRCUIT




R_W = GOLD WIRE-BOND.
 R_{LF} = LEAD FRAME.

ELECTRICAL RESISTANCE MILLIOHM (DC) MAX			
CIRCUIT	PIN 1 TO 3	PIN 2 TO 3	PIN 1 TO 2
DC13	< 100 m Ω	--	--
DC23	--	< 100 m Ω	--
DC123	< 100 m Ω	< 100 m Ω	< 200 m Ω

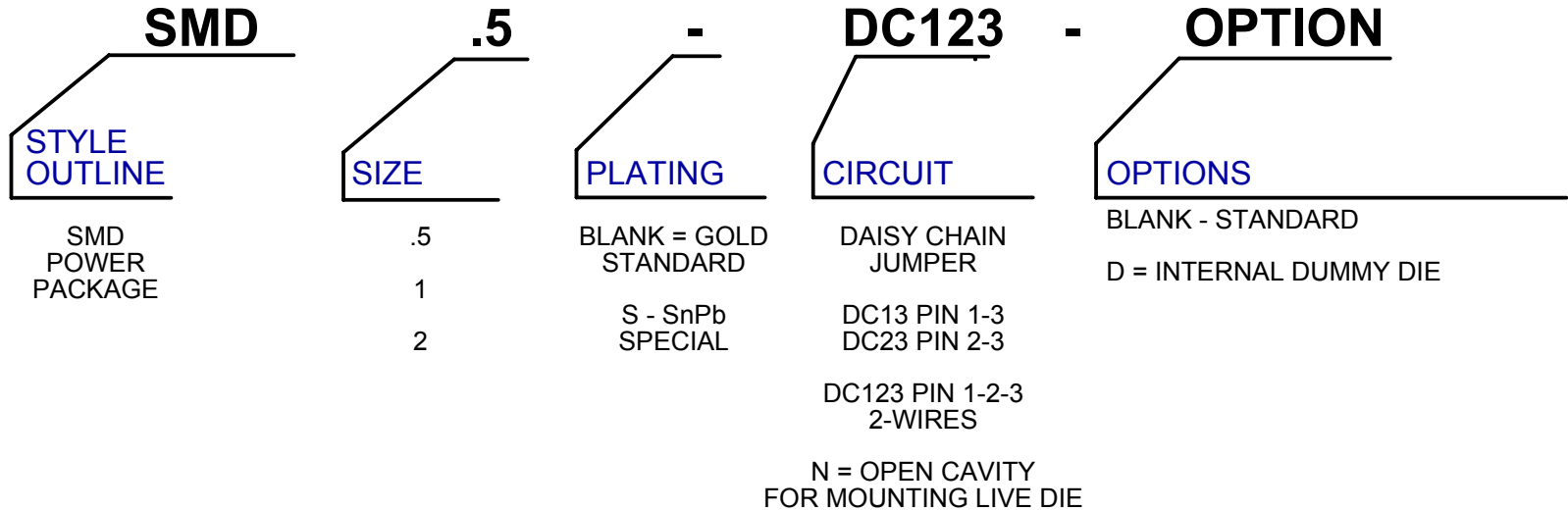
BILL OF MATERIAL		
ITEM	COMPONENT NAME	RAW MATERIAL
1	FRAME	KOVAR/4J29
2	CERAMIC	AL203 90% BLACK
3	BIG PAD	W85CU15
4	TWO SMALL PADS	KOVAR

NOTES:
 GENERAL SPECIFICATIONS COMPLY WITH MIL-STD-750E AND SCREENED PER MIL-PRF-38354.

1. MATERIAL: SEE BOM.
2. FINAL FINISH: 50-MICRO-INCH GOLD OVER 100-MICRO-INCH (MIN) NICKEL.
3. PARTS EQUAL OR EXCEED 10^{10} OHMS ISOLATION TEST WITH 500VDC PINS TO CASE.
4. BREAKDOWN VOLTAGE: 1000V BREAKDOWN VOLTAGE TEST WITH NORMAL TESTING CONDITIONS (PADS AND CASE).

			
TITLE		SMD.5 (TO-276AA) POWER PACKAGE	
SCALE	SIZE	DRAWING NO.	REV
2.5:1	A	800500	A
DO NOT SCALE DRAWING			SHEET 3 OF 4

PART NUMBERING SYSTEM



PART NUMBER	SHORTED PINS	NOTES	SEALED LID	DUMMY DIE
SMD.5	N/A	DUMMY	YES	N/A
SMD.5-D	N/A	DUMMY	YES	YES
SMD.5-N	NONE	ISOLATED	NO	NO
SMD.5-DC13	1 ~ 3	DAISY CHAIN	YES	NO
SMD.5-DC13D	1 ~ 3	DAISY CHAIN	YES	YES
SMD.5-DC23	2 ~ 3	DAISY CHAIN	YES	NO
SMD.5-DC23D	2 ~ 3	DAISY CHAIN	YES	YES
SMD.5-DC123	1 ~ 2 ~ 3	DAISY CHAIN	YES	NO
SMD.5-DC123D	1 ~ 2 ~ 3	DAISY CHAIN	YES	YES

TopLine®			
TITLE		SMD.5 (TO-276AA) POWER PACKAGE	
SCALE	SIZE	DRAWING NO.	REV
1:1	A	800500	A
DO NOT SCALE DRAWING			SHEET 4 OF 4