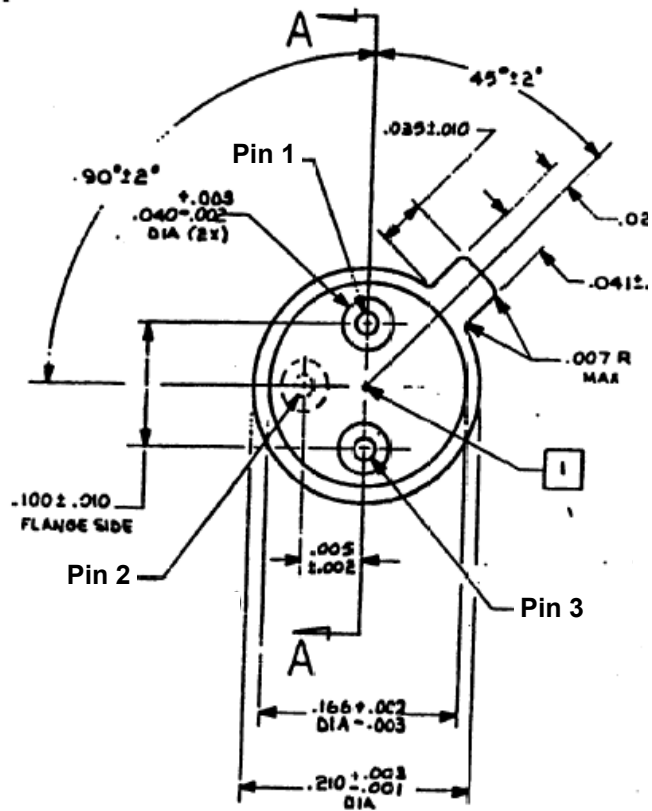
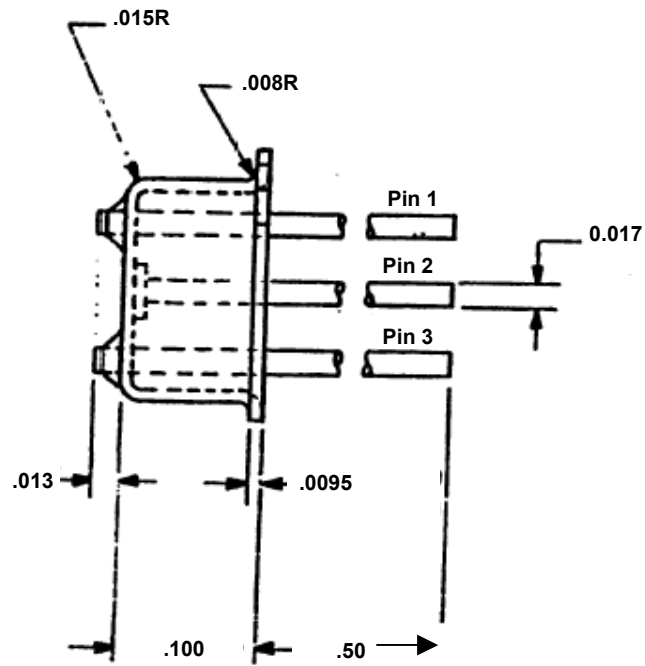


TOP VIEW



SIDE VIEW



NOTES:

- 1) DIMENSIONS INCHES
- 2) PIN 2 GROUNDED TO HEADER

APPROVALS	DATE	<b>TopLine®</b>			
DRAWN T. Au	09/23/12				
ENG M. Hart	09/23/12	TITLE <b>TO-18 HEADER 3L</b>			
MFG		SCALE 50:1	SIZE A	DRAWING NO.	REV
QA				<b>168580</b>	A
CUST		DO NOT SCALE DRAWING			
REVISD					