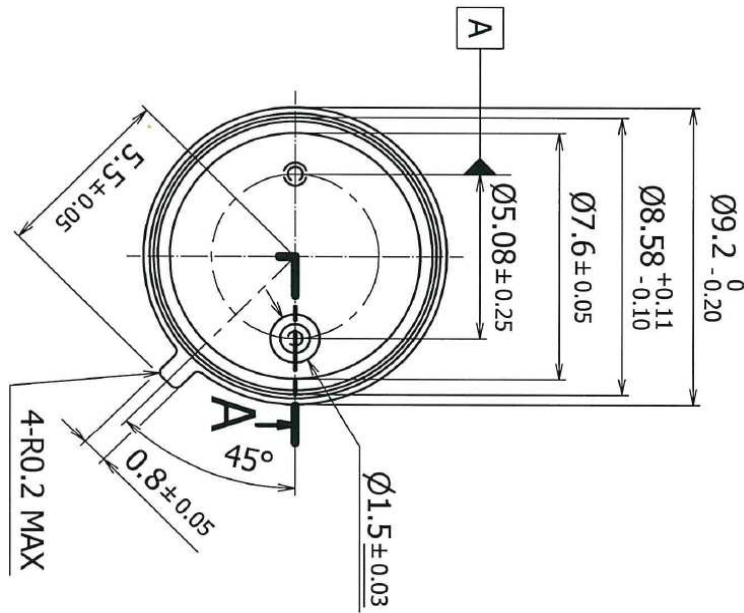
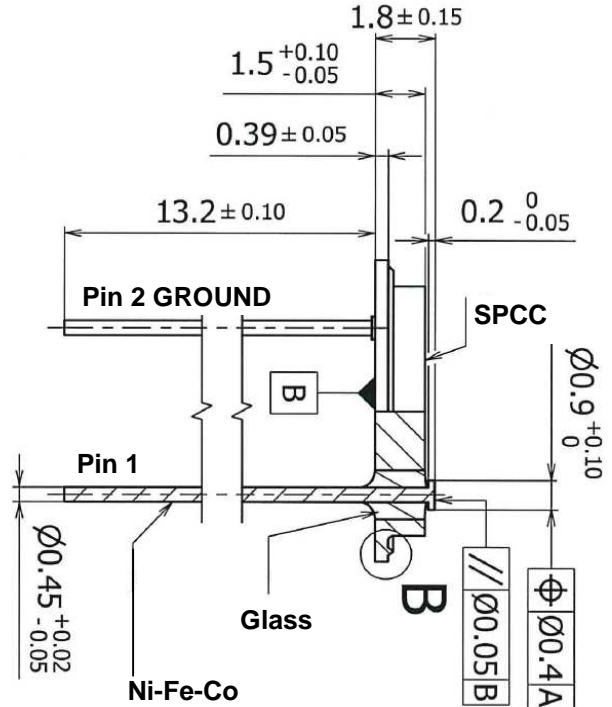


TOP VIEW



SIDE VIEW



NOTES:

- 1) PLATE: Ni 2.0~4.0um. GOLD 0.1um MIN
- 2) PIN 2 GROUNDED TO HEADER
- 3) LEADS ARE KOVAR Ni-Fe-Co
- 4) DIMENSIONS IN MM

APPROVALS	DATE	TopLine®			
DRAWN T. Au	09/23/12	TITLE TO-39 HEADER 2L			
ENG M. Hart	09/23/12				
MFG		SCALE	SIZE	DRAWING NO.	REV
QA		50:1	A	181224	A
CUST					
REVISED		DO NOT SCALE DRAWING			