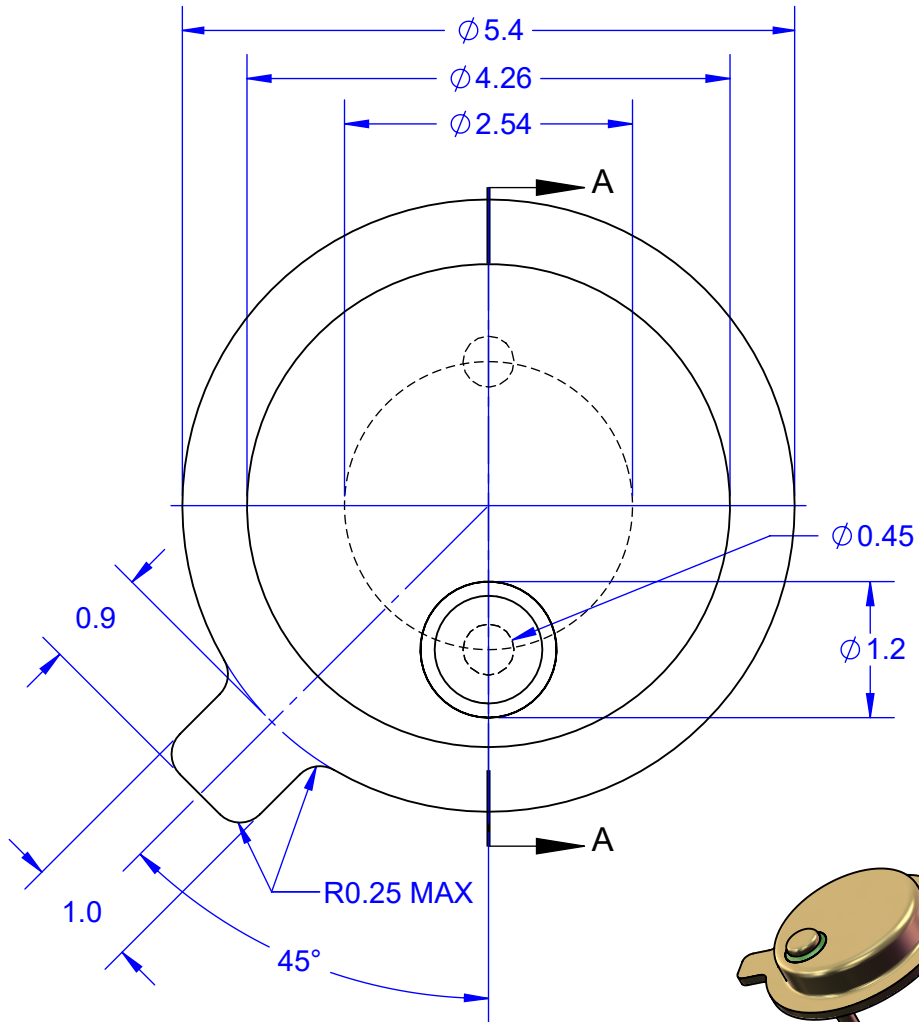
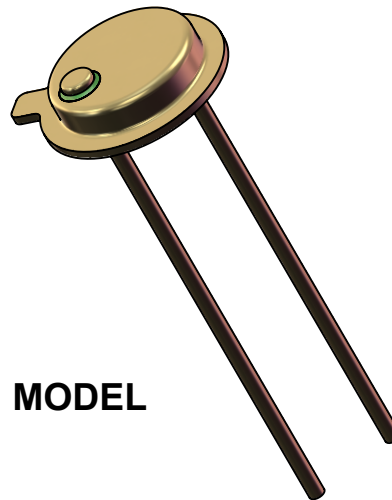
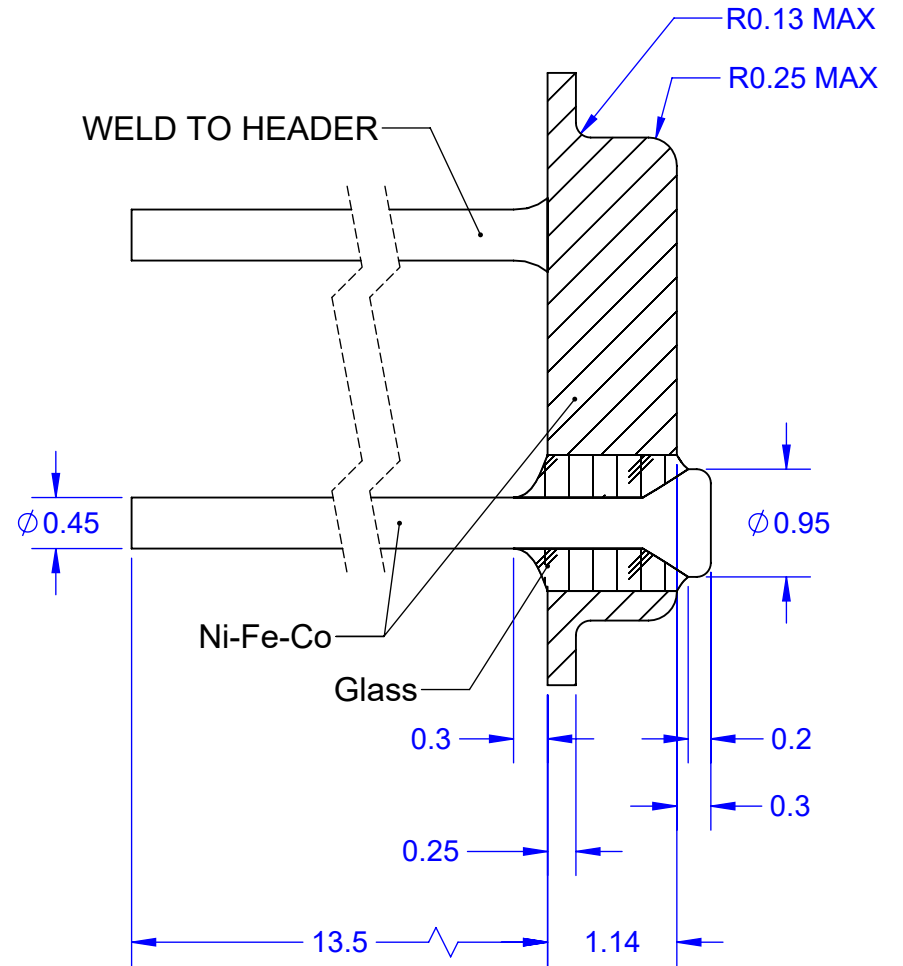


TOP VIEW



SECTION VIEW A-A



MODEL

- NOTES:
 1. DIMENSIONS in MM (Unless Otherwise Specified).
 2. BODY KOVAR ASTM F45 ALLOY 42.
 3. LEADS KOVAR ASTM F15.
 4. GLASS 7052 OR EQUIVALENT.
 5. PLATING: Ni 100~300 Micro-inch
 Au 50 Micro-inch MIN

APPROVALS	DATE	TopLine®			
DRAWN T. Au	10/28/15				
ENG M. Hart	10/28/15	TITLE TO-46 HEADER 2L			
MFG		SCALE 15:1	SIZE A	DRAWING NO. 168486	REV A
QA		DO NOT SCALE DRAWING			SHEET 1 OF 1
CUST					
REVISED					