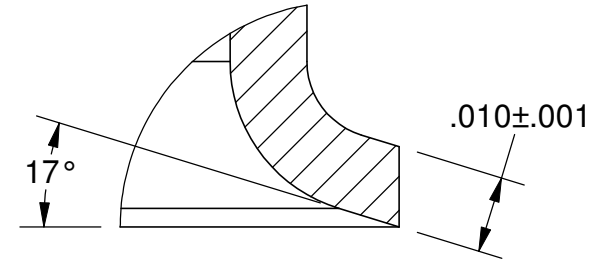
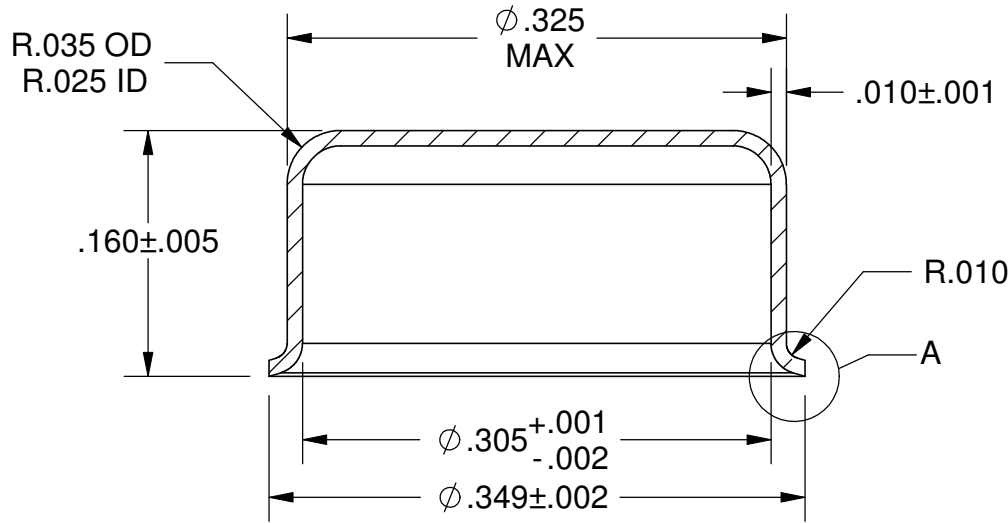
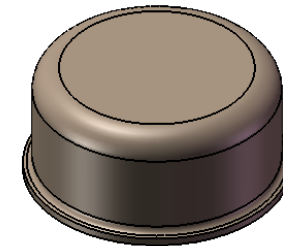
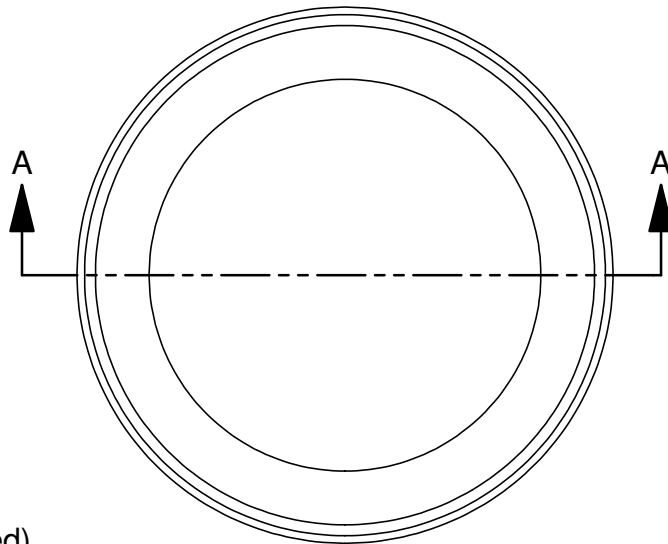


SECTION A-A



DETAIL A
SCALE 40 : 1



ISOMETRIC VIEW

- Notes: (Unless Otherwise Specified).
 1) CAN - CAP - LID FOR TO-5 AND TO-39.
 2) NICKEL PLATED.
 3) WITHOUT WELD PROJECTION.
 4) DIMENSIONS IN INCH.

APPROVALS		DATE	TopLine ®			
DRAWN J. Hines		8/5/2014				
ENG M. Hart		7/27/2014	TITLE TO-5 CAN, 0.165" H WITHOUT WELD PROJECTION			
MFG			SCALE 8:1	SIZE A	DRAWING NO. 150504	REV A
QA						
CUST			DO NOT SCALE DRAWING		SHEET 1 OF 1	
REVISED						