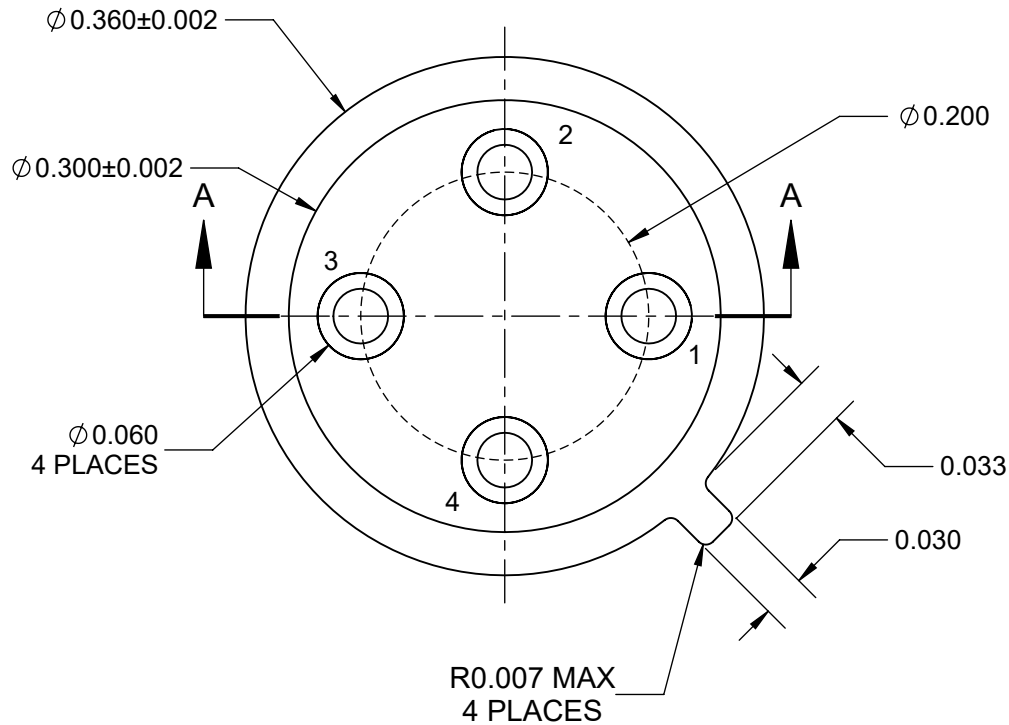
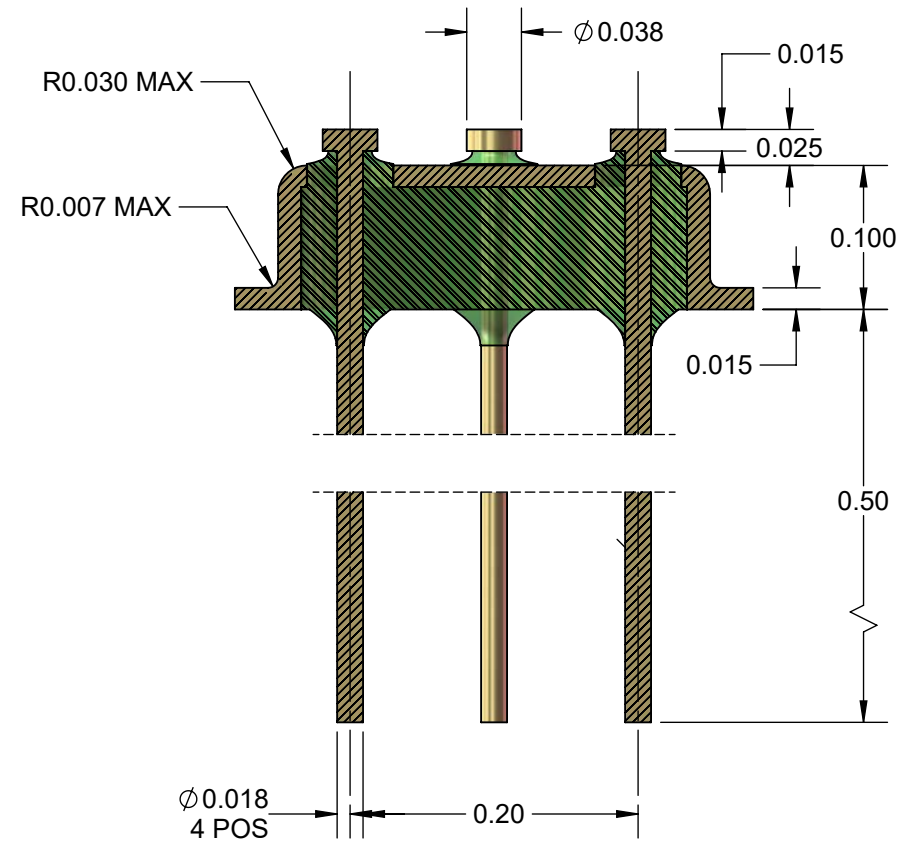


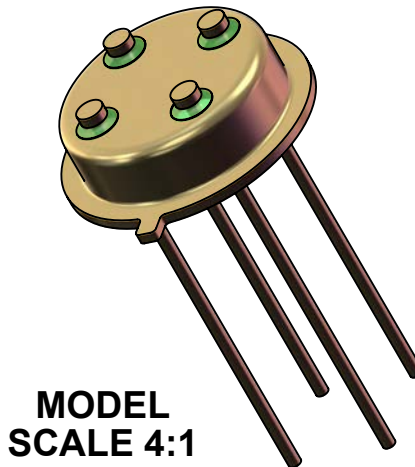
### TOP VIEW



### SECTION VIEW A-A



SECTION A-A  
SCALE 7.5 : 1



- NOTES:  
 1. DIMENSIONS in INCH (Unless Otherwise Specified).  
 2. BODY KOVAR ASTM F45 ALLOY 42.  
 3. LEADS KOVAR ASTM F15.  
 4. GLASS 7052 OR EQUIVALENT.  
 5. PLATING: Ni 100~300 Micro-inch  
 Au 50 Micro-inch MIN

APPROVALS	DATE	<b>TopLine®</b>			
DRAWN T. Au	04/14/2018				
ENG M. Hart	04/14/2018	TITLE TO-5 HEADER 4L NAIL HEAD ISOLATED			
MFG		SCALE	SIZE	DRAWING NO.	REV
QA		7.5:1	A	182814	A
CUST		DO NOT SCALE DRAWING			SHEET 1 OF 1
REVISED					