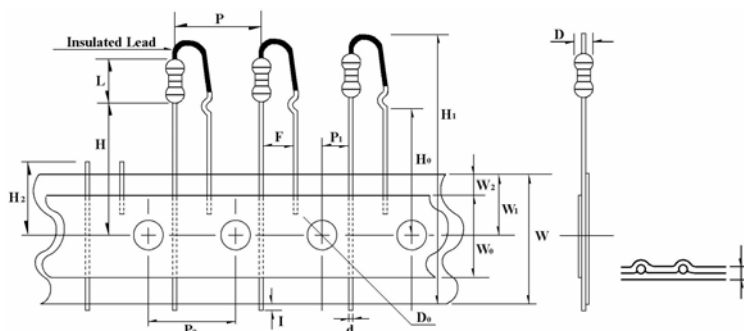


AVISERT TYPE 1

- 1/4W (0.25W) Resistors



Dimension (mm)

Items	Symbol	Dimension	Items	Symbol	Dimension
Body diameter	D	2.5 Max.	Hole position	W ₁	9.5 ± 0.5
Body length	L	6.8 Max.	Hold down tape position	W ₂	3.0 Max.
Lead wire diameter	d	0.54 ± 0.05	Height of Component from tape center	H	17 ± 0.5
Pitch of component	P	12.7 ± 1	Lead wire clinch height	H ₀	16 ± 0.5
Feed hole pitch	P ₀	12.7 ± 0.3	Component height	H ₁	34.50 Max.
Feed hole center to lead	P ₁	3.85 ± 0.7	Length of snapped lead	H ₂	11.0 Max.
Lead to lead distance	F	5 ± 1	Lead wire protrusion	I	1.0 Max.
Tape width	W	18 ± 1	Feed hole diameter	D ₀	4.0 ± 0.3
Hold down tape width	W ₀	12.5 Min.	Total tape thickness	t	0.5 ± 0.2

Remark: P₀ cumulative pitch error 1 mm / 20 pitch.