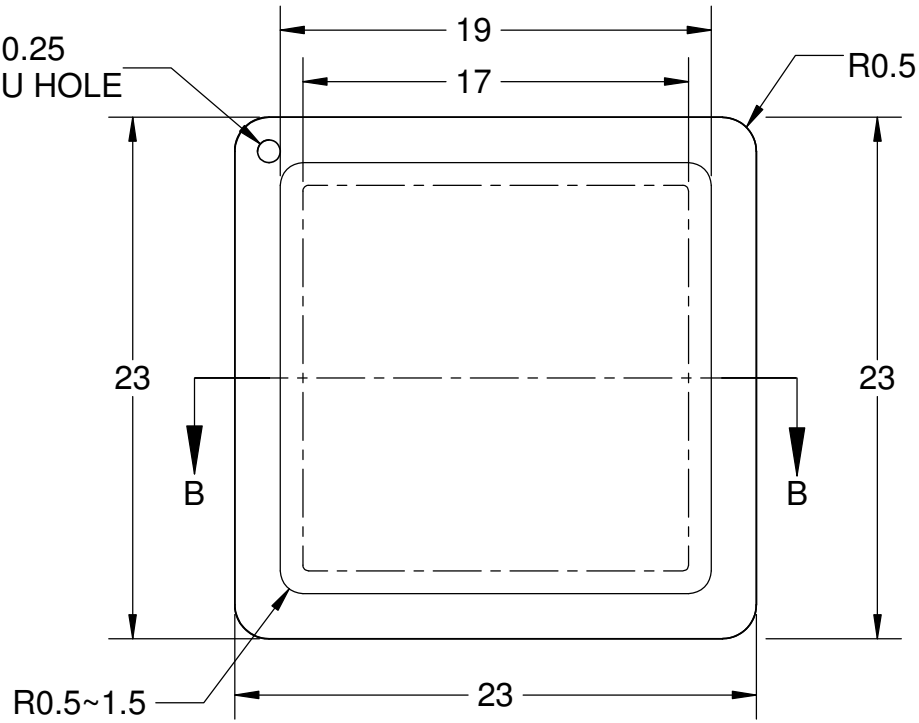
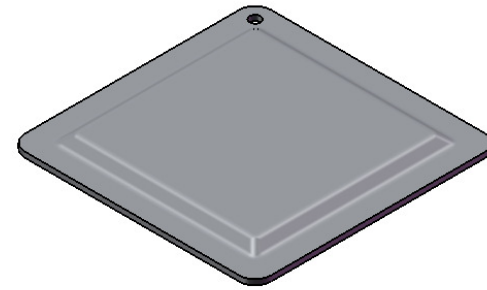


$\phi 1.0 \pm 0.25$   
PIN 1 THRU HOLE



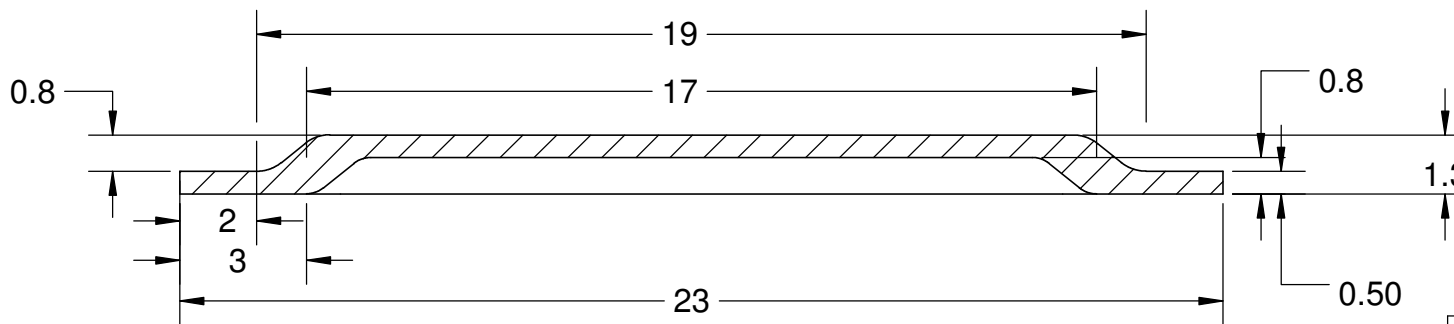
TOP



MODEL



CAVITY



SECTION B-B  
SCALE 6 : 1

**TopLine®**

TITLE			
ÁLLAP ÉRŐ ÚJÓ			
SCALE	SIZE	DRAWING NO.	REV
A			A
DO NOT SCALE DRAWING			