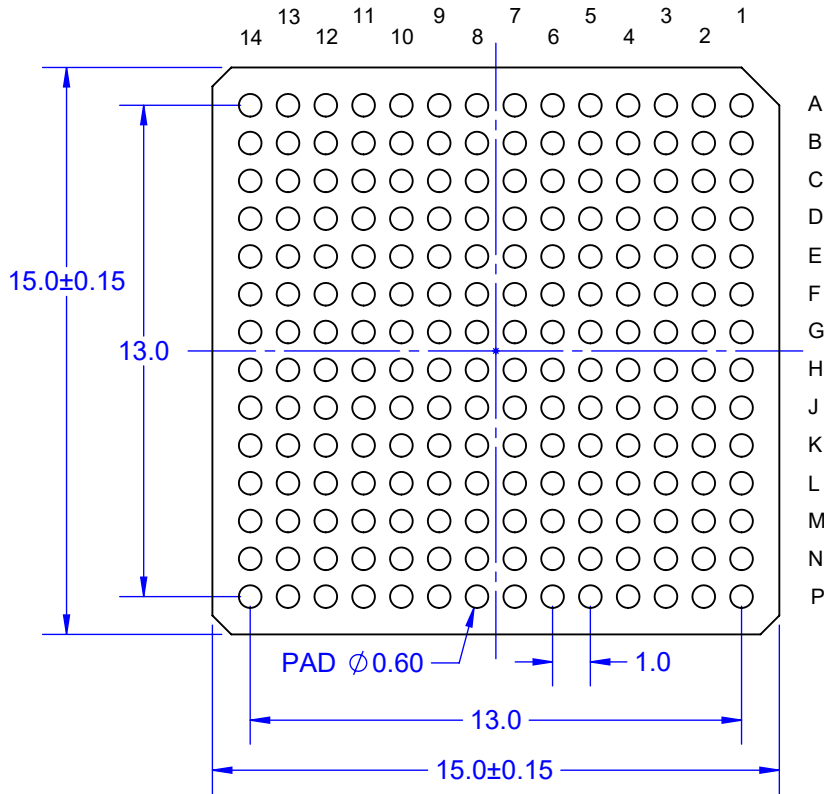
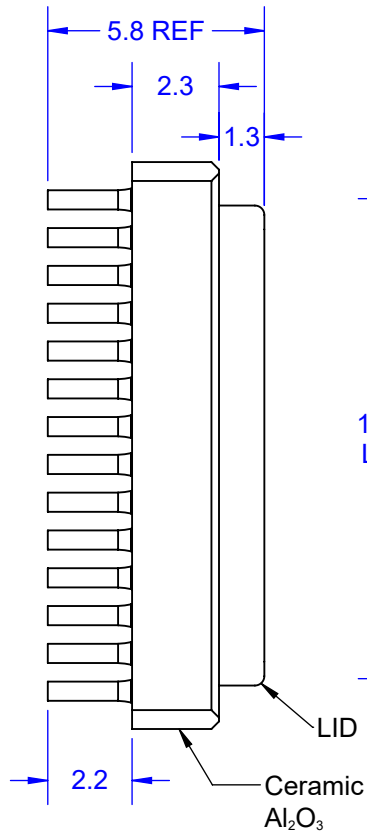


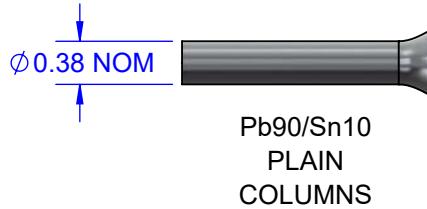
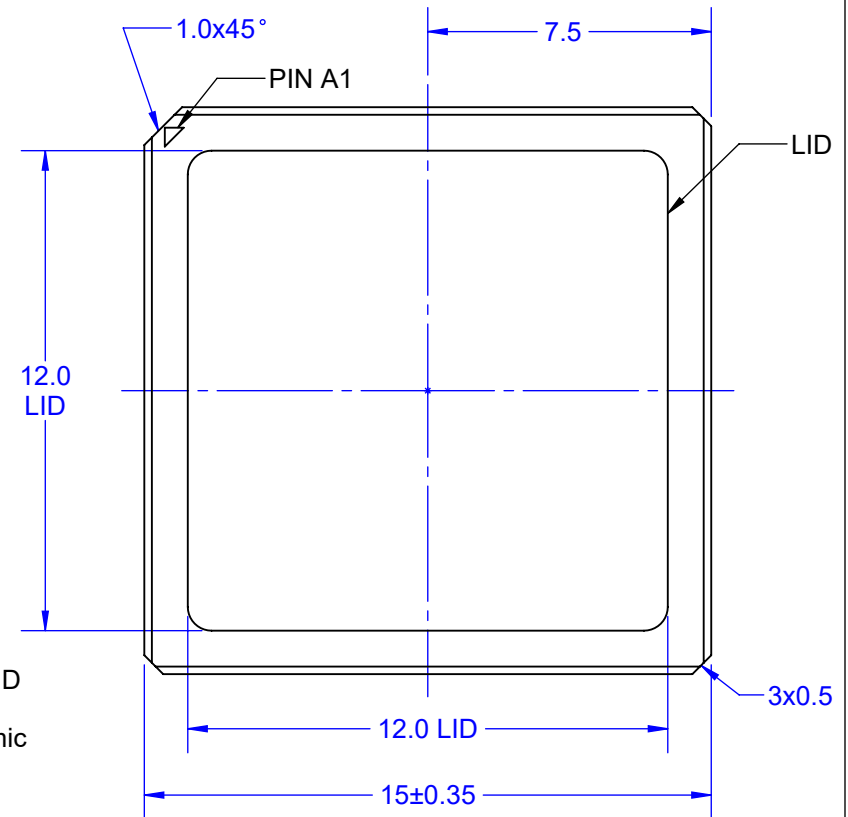
BOTTOM VIEW



SIDE VIEW



TOP VIEW



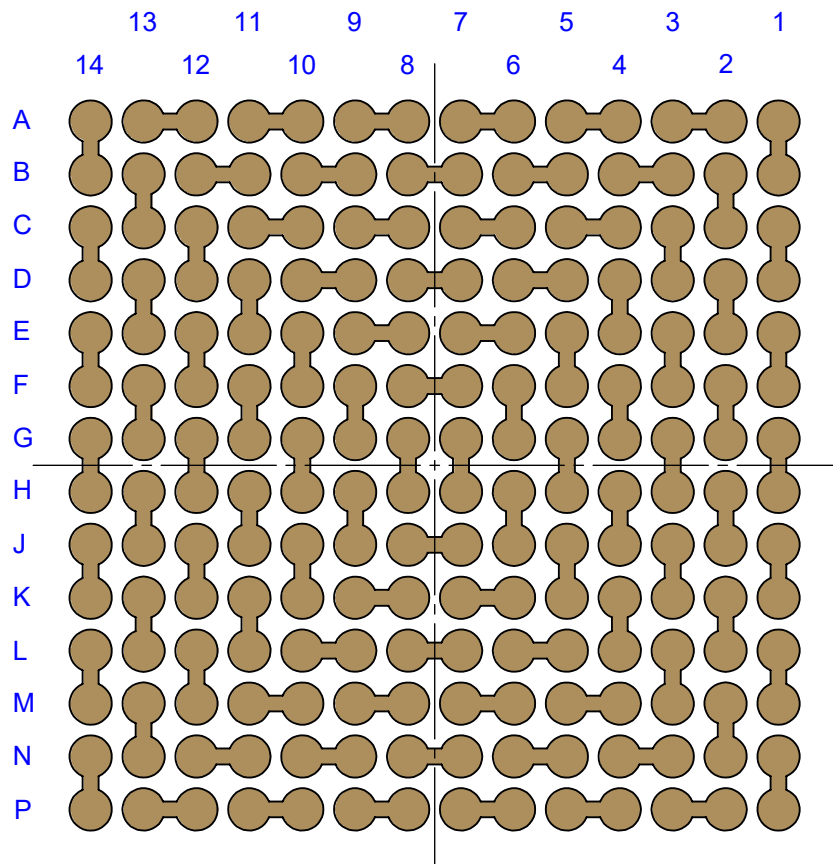
- Notes: (Unless Otherwise Specified).
 1) DIMENSIONS ARE IN mm.
 2) SHOWN WITH COLUMNS.
 3) SHOWN WITH LID COVER ATTACHED.

| PART NUMBER OPTIONS | | | |
|---------------------|-----|------------|-----|
| PART NUMBER | DIE | SOLDER PIN | LID |
| CCGA196T1.0A-DC149D | YES | YES | YES |

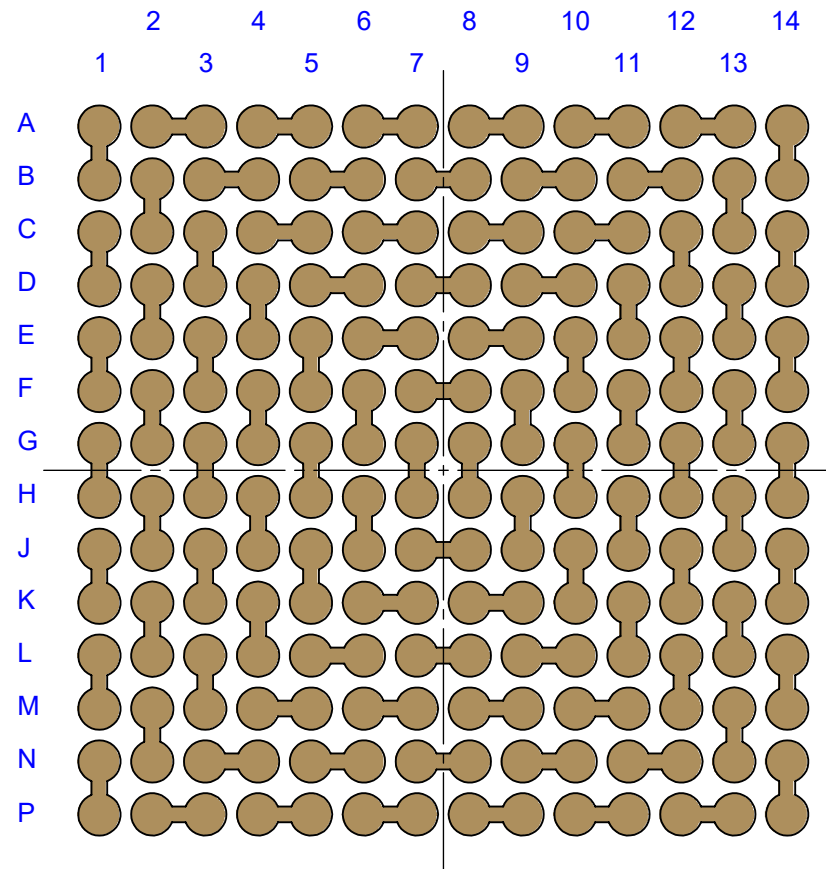
| | | | | | |
|-------------|------------|--|--------|----------------------|--------------|
| APPROVALS | DATE | TopLine® | | | |
| DRAWN T.Au | 11/16/2020 | | | | |
| ENG M. Hart | 11/16/2020 | TITLE CCGA196T1.0A-DC149D DAISY CHAIN COLUMN GRID ARRAY | | | |
| MFG | | SCALE 5:1 | SIZE A | DRAWING NO. A 160078 | REV |
| QA | | DO NOT SCALE DRAWING | | | SHEET 1 OF 5 |
| CUST | | | | | |
| REVISED | | | | | |

DAISY CHAIN PATTERN

COLUMN (PAD) VIEW



BOTTOM X-RAY VIEWED FROM TOP



TopLine®

TITLE CLGA196T1.0A-DC149D
DAISY CHAIN LAND GRID ARRAY

| | | | |
|----------------|-----------|-----------------------|----------|
| SCALE 2.5:1 | SIZE A | DRAWING NO. 160077 | REV B |
|----------------|-----------|-----------------------|----------|

DO NOT SCALE DRAWING

SHEET 2 OF 5

DAISY CHAIN NET LIST

| PIN | PIN |
|-----|-----|
| A1 | B1 |
| A2 | A3 |
| A4 | A5 |
| A6 | A7 |
| A8 | A9 |
| A10 | A11 |
| A12 | A13 |
| A14 | B14 |
| B2 | C2 |
| B3 | B4 |
| B5 | B6 |
| B7 | B8 |
| B9 | B10 |
| B11 | B12 |
| B13 | C13 |
| C1 | D1 |
| C3 | D3 |
| C4 | C5 |
| C6 | C7 |
| C8 | C9 |
| C10 | C11 |
| C12 | D12 |
| C14 | D14 |
| D2 | E2 |
| D4 | E4 |

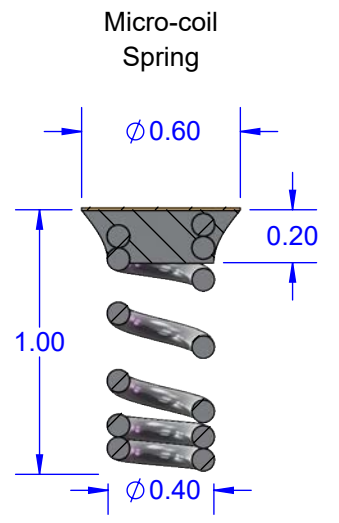
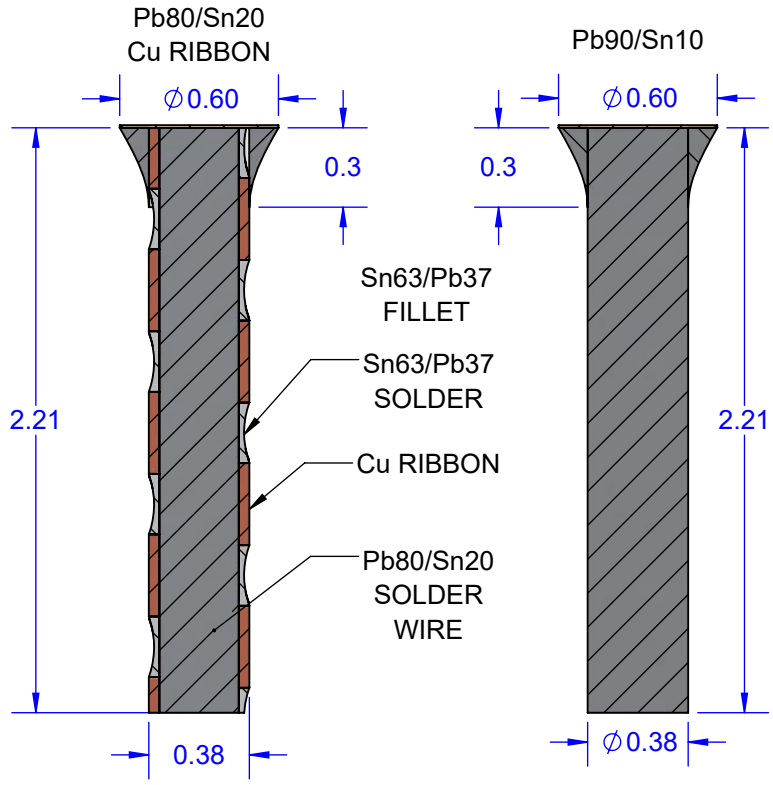
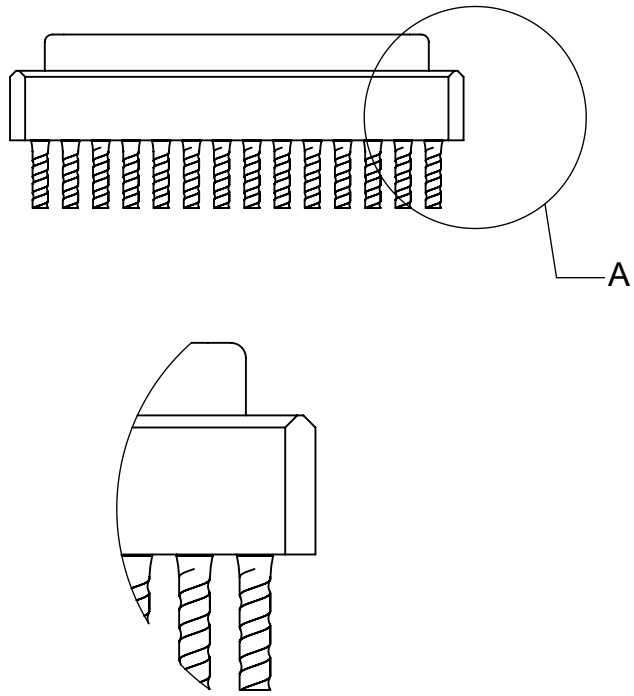
| PIN | PIN |
|-----|-----|
| D5 | D6 |
| D7 | D8 |
| D9 | D10 |
| D11 | E11 |
| D13 | E13 |
| E1 | F1 |
| E3 | F3 |
| E5 | F5 |
| E6 | E7 |
| E8 | E9 |
| E10 | F10 |
| E12 | F12 |
| E14 | F14 |
| F2 | G2 |
| F4 | G4 |
| F6 | G6 |
| F7 | F8 |
| F9 | G9 |
| F11 | G11 |
| F13 | G13 |
| G1 | H1 |
| G3 | H3 |
| G5 | H5 |
| G7 | H7 |
| G8 | H8 |

| PIN | PIN |
|-----|-----|
| G10 | H10 |
| G12 | H12 |
| G14 | H14 |
| H2 | J2 |
| H4 | J4 |
| H6 | J6 |
| H9 | J9 |
| H11 | J11 |
| H13 | J13 |
| J1 | K1 |
| J3 | K3 |
| J5 | K5 |
| J7 | J8 |
| J10 | K10 |
| J12 | K12 |
| J14 | K14 |
| K2 | L2 |
| K4 | L4 |
| K6 | K7 |
| K8 | K9 |
| K11 | L11 |
| K13 | L13 |
| L1 | M1 |
| L3 | M3 |
| L5 | L6 |

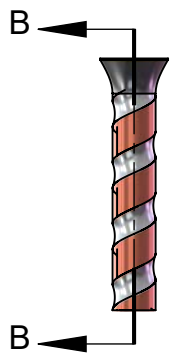
| PIN | PIN |
|-----|-----|
| L7 | L8 |
| L9 | L10 |
| L12 | M12 |
| L14 | M14 |
| M2 | N2 |
| M4 | M5 |
| M6 | M7 |
| M8 | M9 |
| M10 | M11 |
| M13 | N13 |
| N1 | P1 |
| N3 | N4 |
| N5 | N6 |
| N7 | N8 |
| N9 | N10 |
| N11 | N12 |
| N14 | P14 |
| P2 | P3 |
| P4 | P5 |
| P6 | P7 |
| P8 | P9 |
| P10 | P11 |
| P12 | P13 |

| | | | |
|--|-----------|-----------------------|----------|
| TopLine® | | | |
| TITLE CLGA196T1.0A-DC149D DAISY CHAIN LAND GRID ARRAY | | | |
| SCALE NONE | SIZE A | DRAWING NO. 160077 | REV B |
| DO NOT SCALE DRAWING | | SHEET 3 OF 5 | |

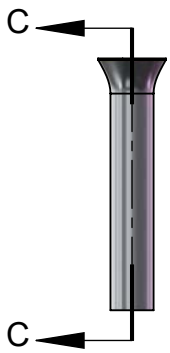
SOLDER PIN OPTIONS



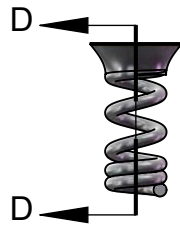
DETAIL A
SCALE 8 : 1



Pb80/Sn20
Cu RIBBON
SCALE 15:1

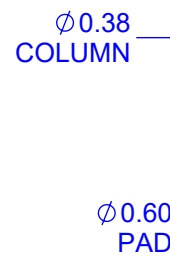


Pb90/Sn10
SCALE 15:1

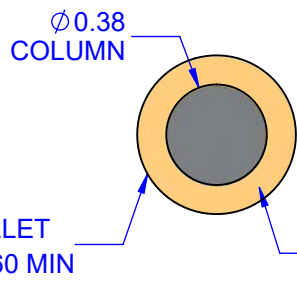


Micro-Coil
Spring
SCALE 20:1

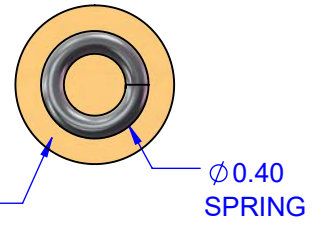
SECTION B-B
SCALE 35 : 1



SECTION C-C
SCALE 35 : 1

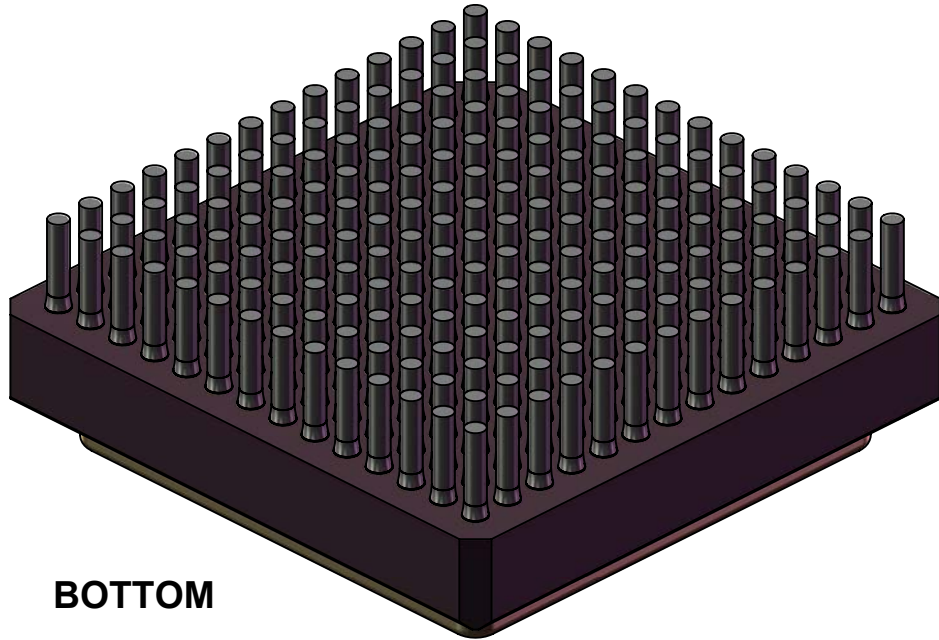


SECTION D-D
SCALE 35 : 1

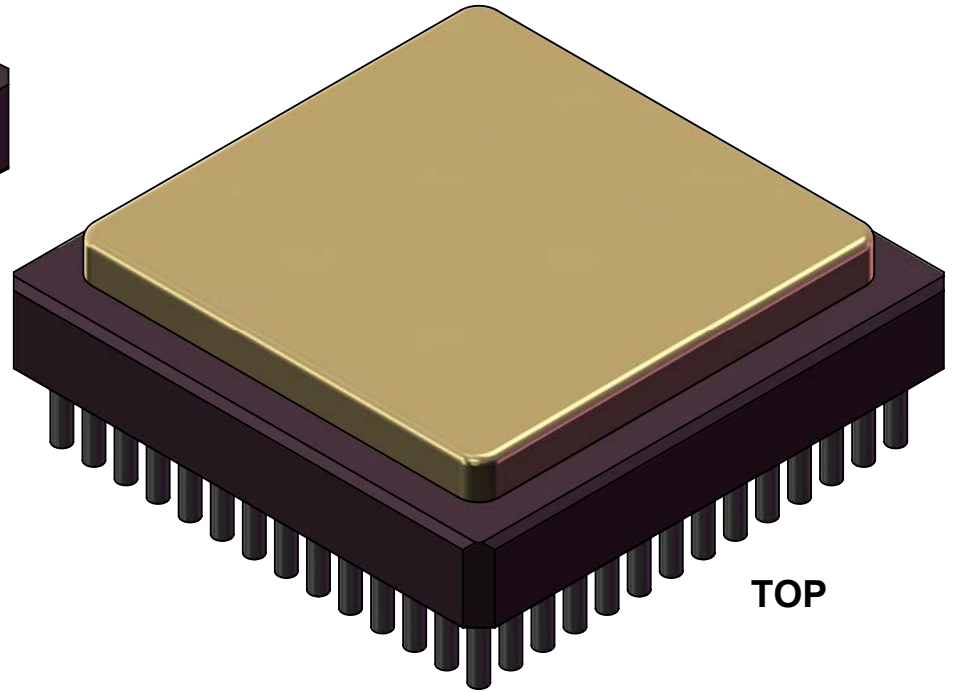


| | | | |
|--|-----------|-----------------------|--------------|
| TopLine® | | | |
| TITLE CCGA196T1.0A-DC149D DAISY CHAIN COLUMN GRID ARRAY | | | |
| SCALE 4:1 | SIZE A | DRAWING NO. 160078 | REV A |
| DO NOT SCALE DRAWING | | | SHEET 4 OF 5 |

MODEL
CCGA196T1.0A-DC149D
Pb90/Sn10 PLAIN COLUMNS



BOTTOM



TOP

TopLine[®]

TITLE CCGA196T1.0-DC149
DAISY CHAIN COLUMN GRID ARRAY

| SCALE | SIZE | DRAWING NO. | REV |
|-------|------|-------------|-----|
| 6:1 | A | 160078 | A |

DO NOT SCALE DRAWING

SHEET 9 OF 11