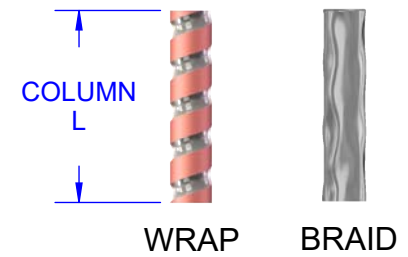
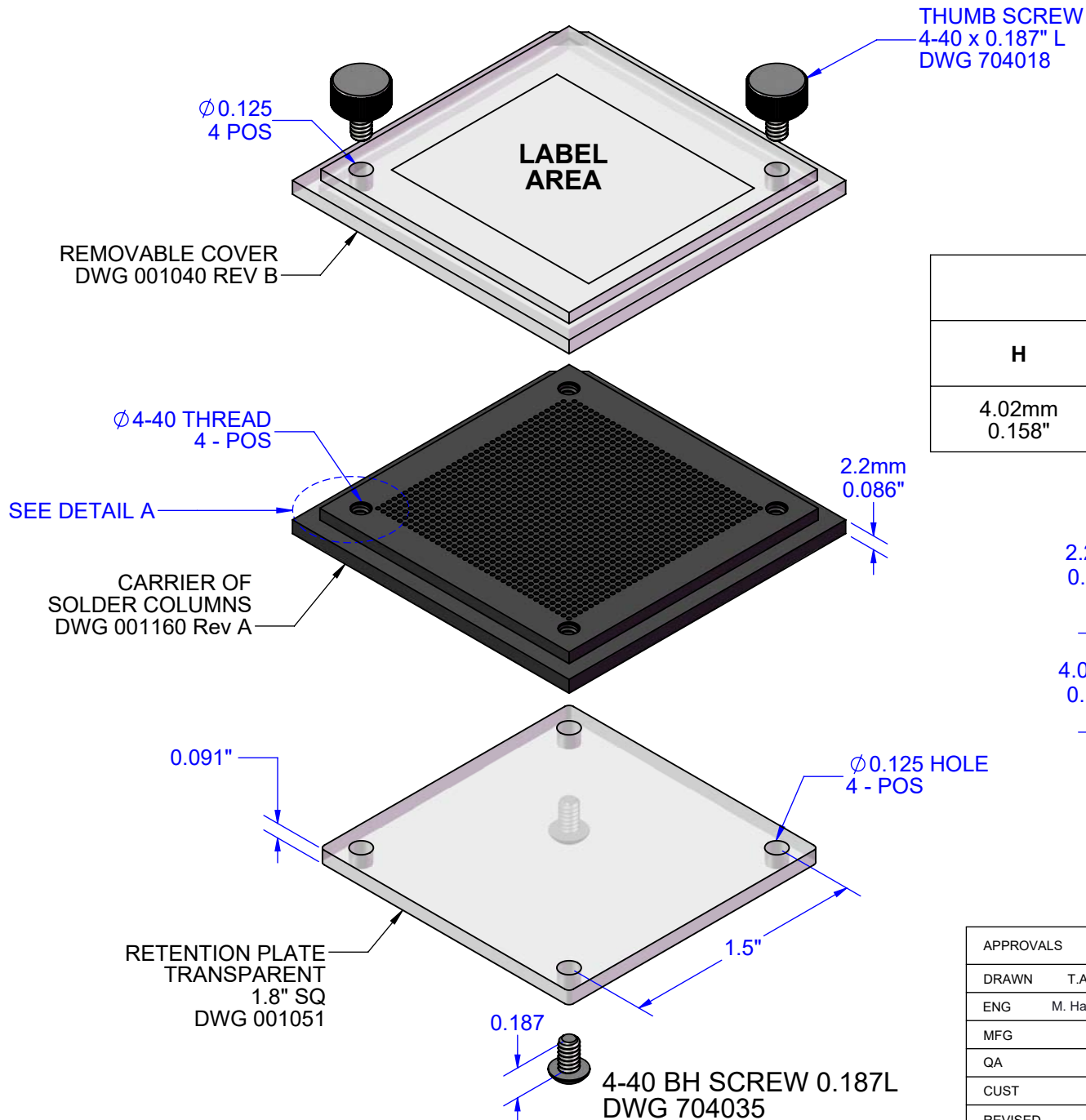
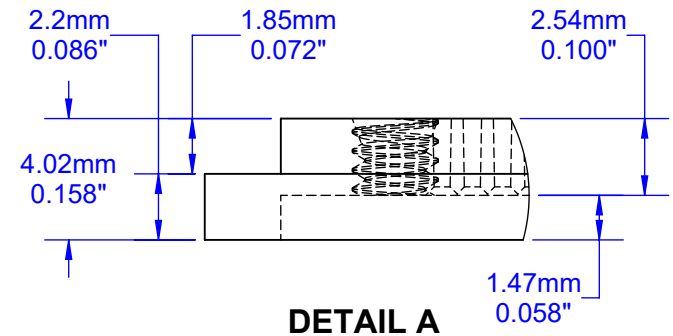


ASSEMBLY EXPLODED VIEW

U.S. PATENT No.
9,108,262 and 9,629,259



DIMENSION TABLE			
H	L MAX	W	DWG
4.02mm 0.158"	2.54mm 0.100"	1.82mm 0.072"	120254

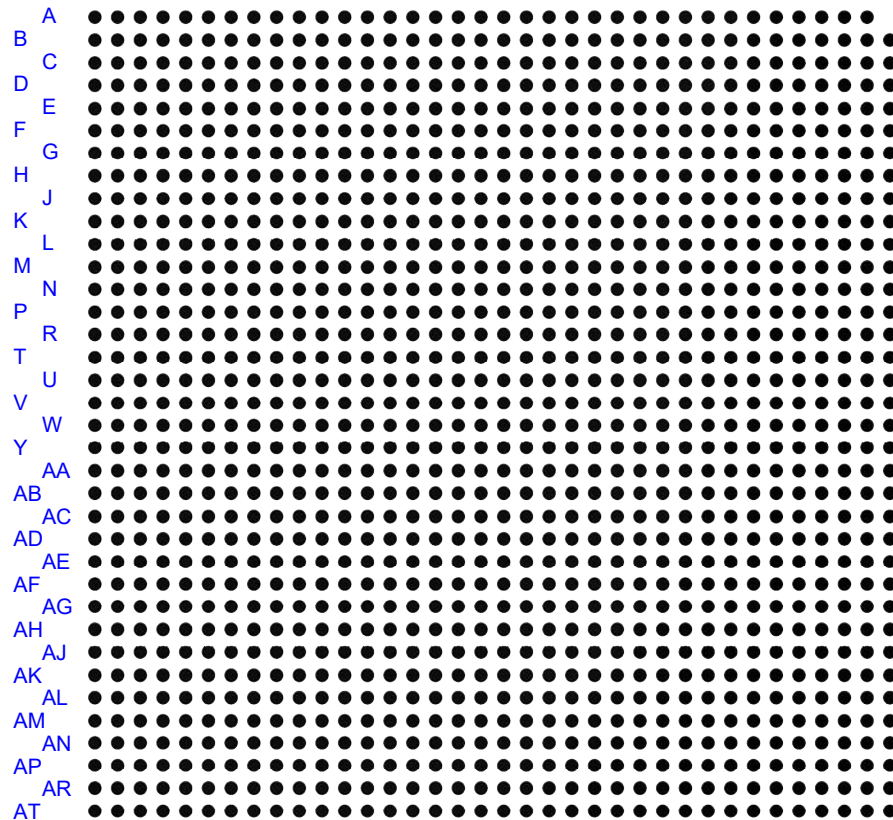


APPROVALS	DATE	TopLine®			
DRAWN T. Au	9/24/2024				
ENG M. Hart	9/24/2024	TITLE FP1295A FLIP-PACK® CCGA COLUMN CARRIER			
MFG		SCALE 1.25:1	SIZE A	DRAWING NO. 001362	REV A
QA		DO NOT SCALE DRAWING			SHEET 1 OF 11
CUST					
REVISED					

PART NUMBER TABLE

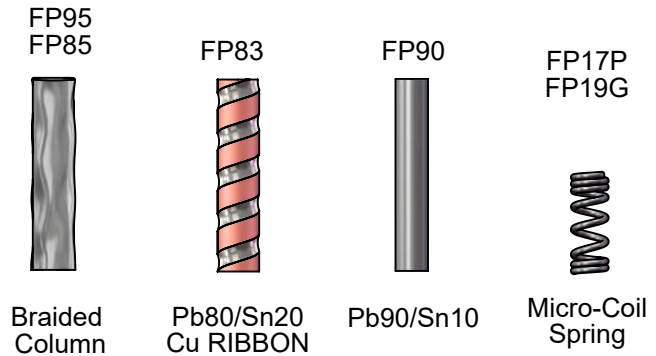
FLIP-PACK®	Pins	Pitch	Matrix	COLUMN					Empty DWG	Filled DWG
				Alloy	Construction	Plating	Ø Dia	Length		
FP83C1295E20x93A	1291	1.0mm	36x36	Pb80	Cu Ribbon		0.51mm	2.36mm	001362	831362
FP85B1295E20x93A				Pb80	Braided	SnPb	0.51mm	2.36mm		851362
FP95B1295E20x93A				Pb90	Braided		0.51mm	2.26mm		951362

35 33 31 29 27 25 23 21 19 17 15 13 11 9 7 5 3 1
 36 34 32 30 28 26 24 22 20 18 16 14 12 10 8 6 4 2



**BOTTOM
COUNTERSINK SIDE**

EXAMPLES OF COLUMNS

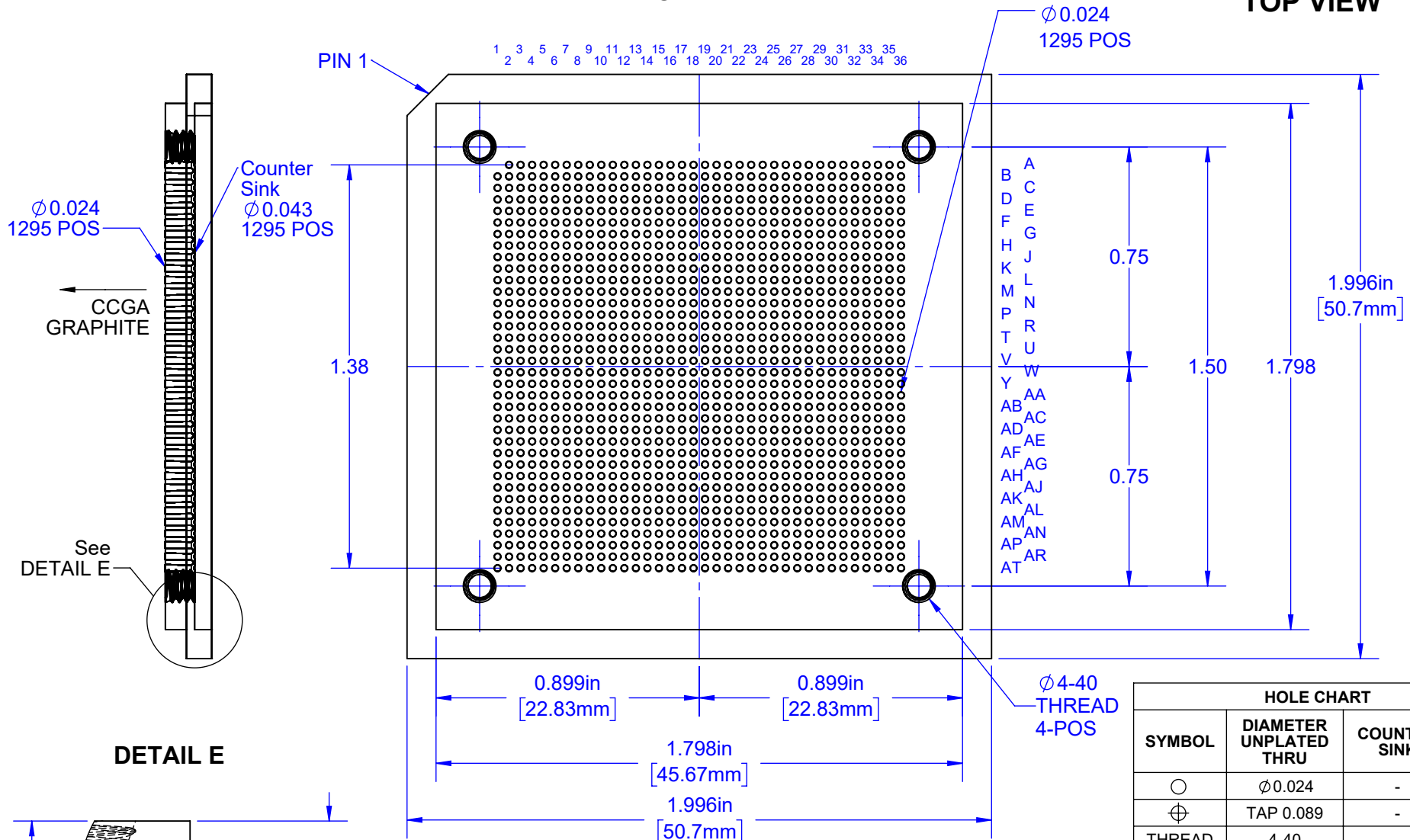


TopLine®			
TITLE FP1295A FLIP-PACK® CCGA COLUMN CARRIER			
SCALE NONE	SIZE A	DRAWING NO. 001362	REV A
DO NOT SCALE DRAWING			SHEET 2 OF 11

SIDE

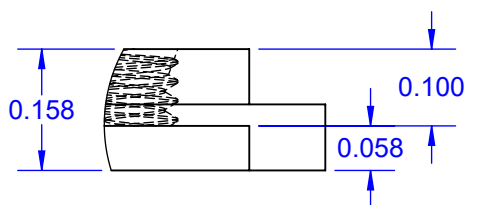
TOP VIEW

TOP VIEW



See
DETAIL E

DETAIL E



HOLE CHART			
SYMBOL	DIAMETER UNPLATED THRU	COUNTER SINK	QTY
○	Ø 0.024	-	1295
⊕	TAP 0.089	-	4
THREAD	4-40	-	4
◎	-	Ø 0.043	1295
TOTAL			2598

TopLine®

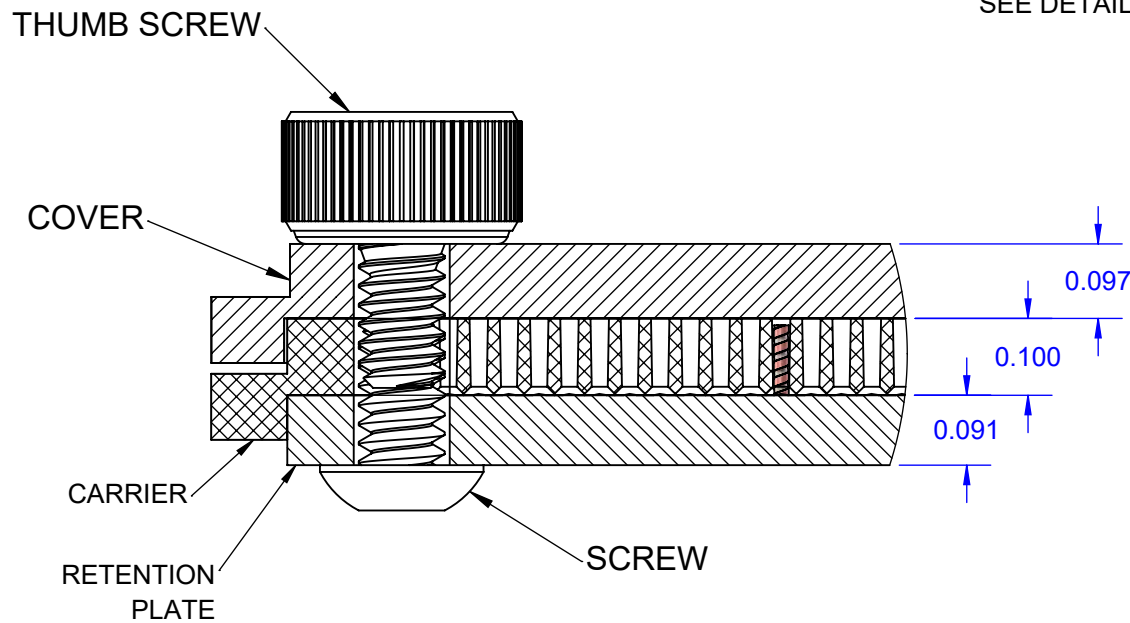
TITLE FP1295A FLIP-PACK®
CCGA COLUMN CARRIER

SCALE 2:1	SIZE A	DRAWING NO. 001362	REV A
--------------	-----------	-----------------------	----------

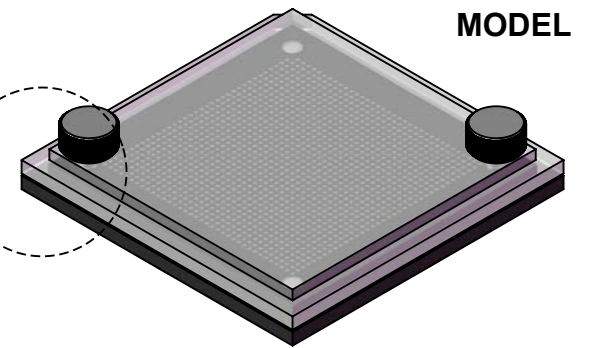
DO NOT SCALE DRAWING SHEET 3 OF 11

Notes: (Unless Otherwise Specified).
 1) MATERIAL: BLACK PLASTIC, CONDUCTIVE.
 2) DIMENSIONS : INCHES [MM].

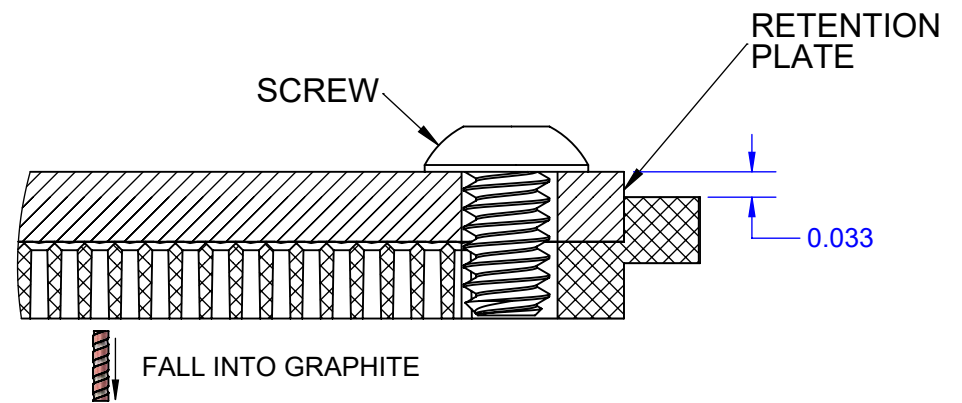
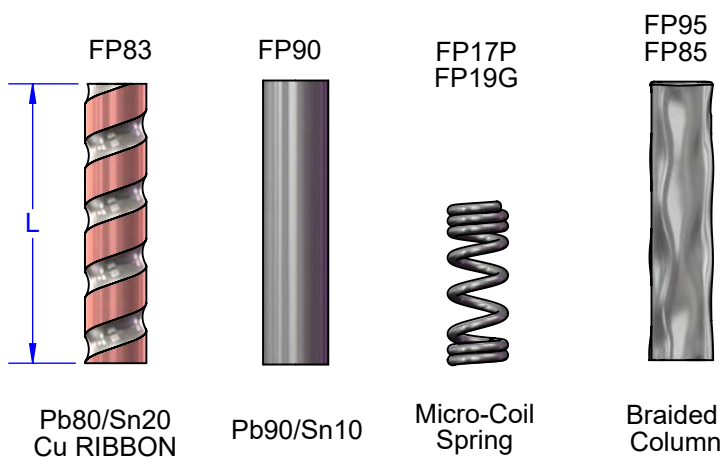
DETAIL D WITH COVER PLATE



SEE DETAIL D



EXAMPLE OF COLUMNS



TopLine®

TITLE FP1295A FLIP-PACK®
CCGA COLUMN CARRIER

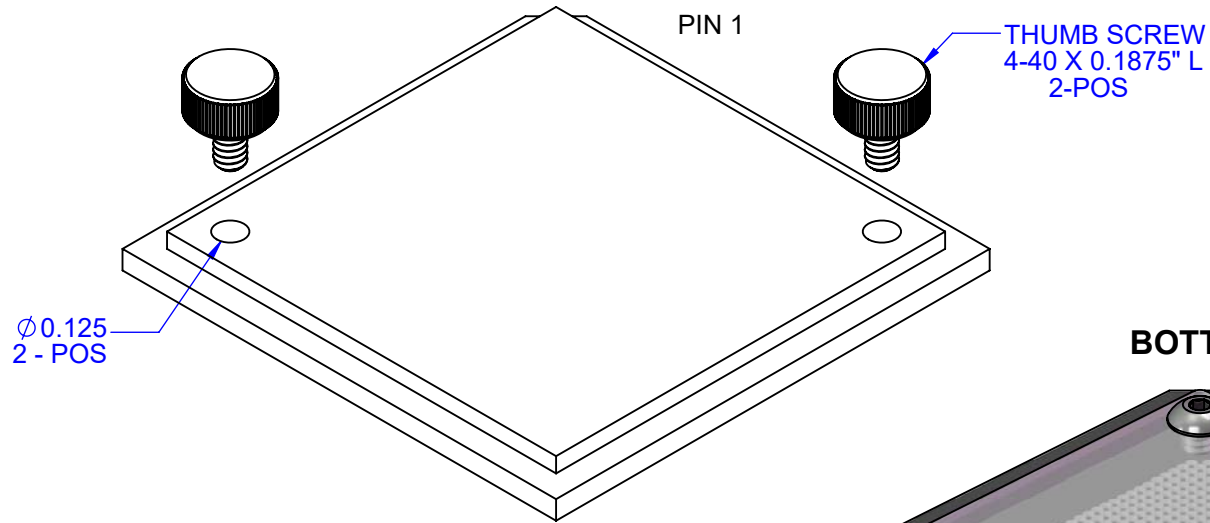
SCALE 4:1	SIZE A	DRAWING NO. 001362	REV A
--------------	-----------	-----------------------	----------

DO NOT SCALE DRAWING

SHEET 4 OF 11

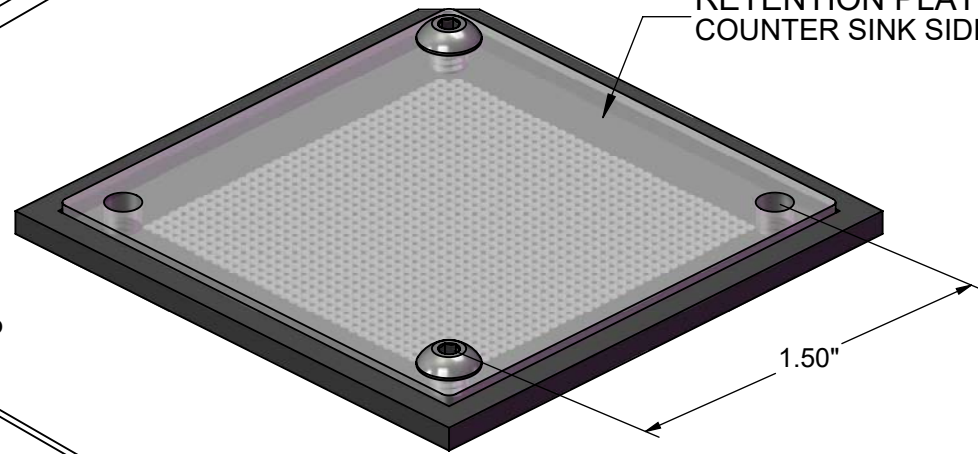
FLIP PACK® MODEL

COVER 001040 REV B



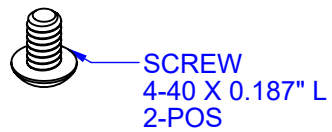
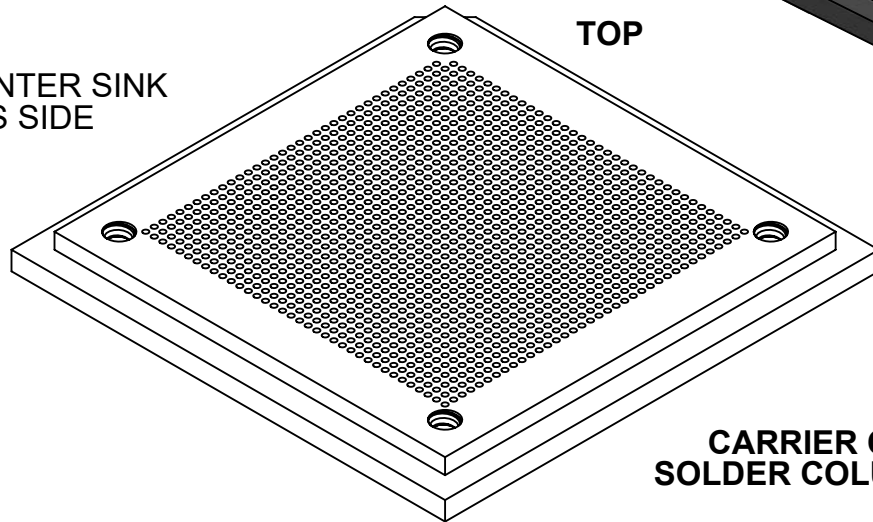
BOTTOM

RETENTION PLATE 001051
COUNTER SINK SIDE



NO COUNTER SINK
THIS SIDE

TOP



TopLine®

TITLE FP1295A FLIP-PACK®
CCGA COLUMN CARRIER

SCALE 2:1	SIZE A	DRAWING NO. 001362	REV A
--------------	-----------	-----------------------	----------

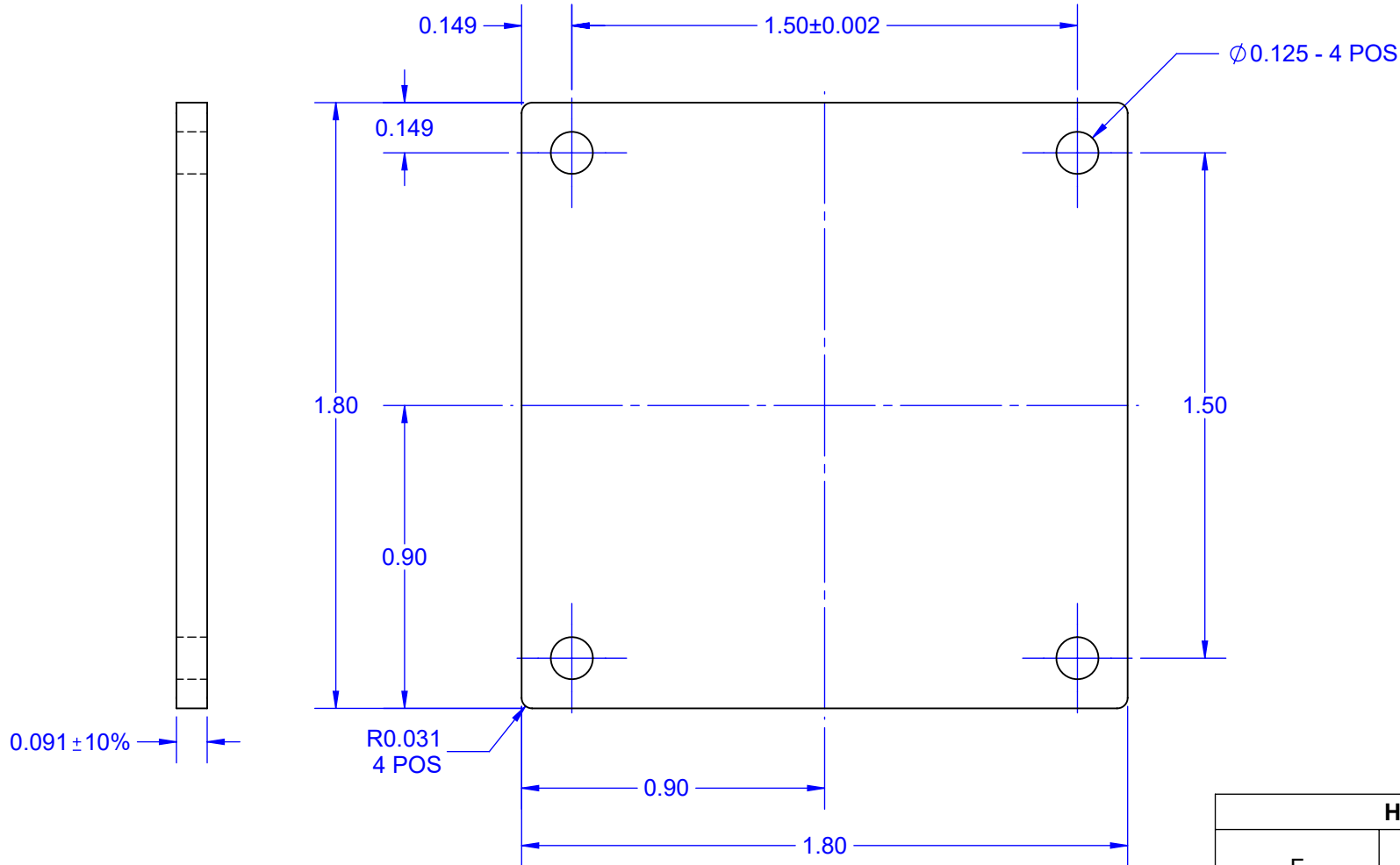
DO NOT SCALE DRAWING

SHEET 5 OF 11

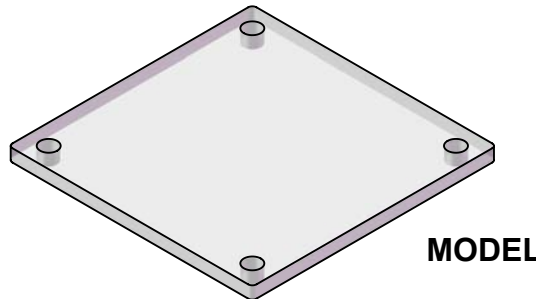
BOTTOM RETENTION PLATE

SIDE VIEW

TOP VIEW



HOLE CHART		
F	DIAMETER UNPLATED	QTY HOLES
+	$\phi 0.125$	4



MODEL

NOTES: (Unless Otherwise Specified).

- 1) DIMENSIONS INCH.
- 2) MATERIAL: CLEAR PC-300 POLYCARBONATE.
- 3) STATIC DISIPATIVE $10^6 \sim 10^8 \Omega$. (ESD SAFE).
- 4) HOLE BREAK OUT ALLOWED.

TopLine[®]

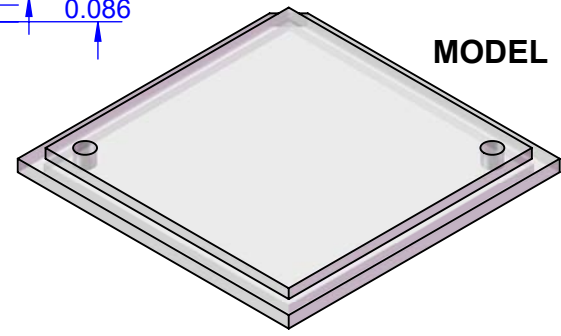
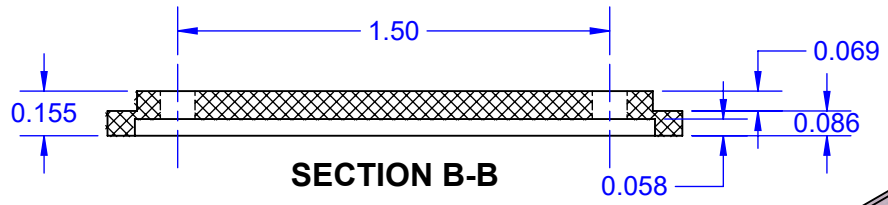
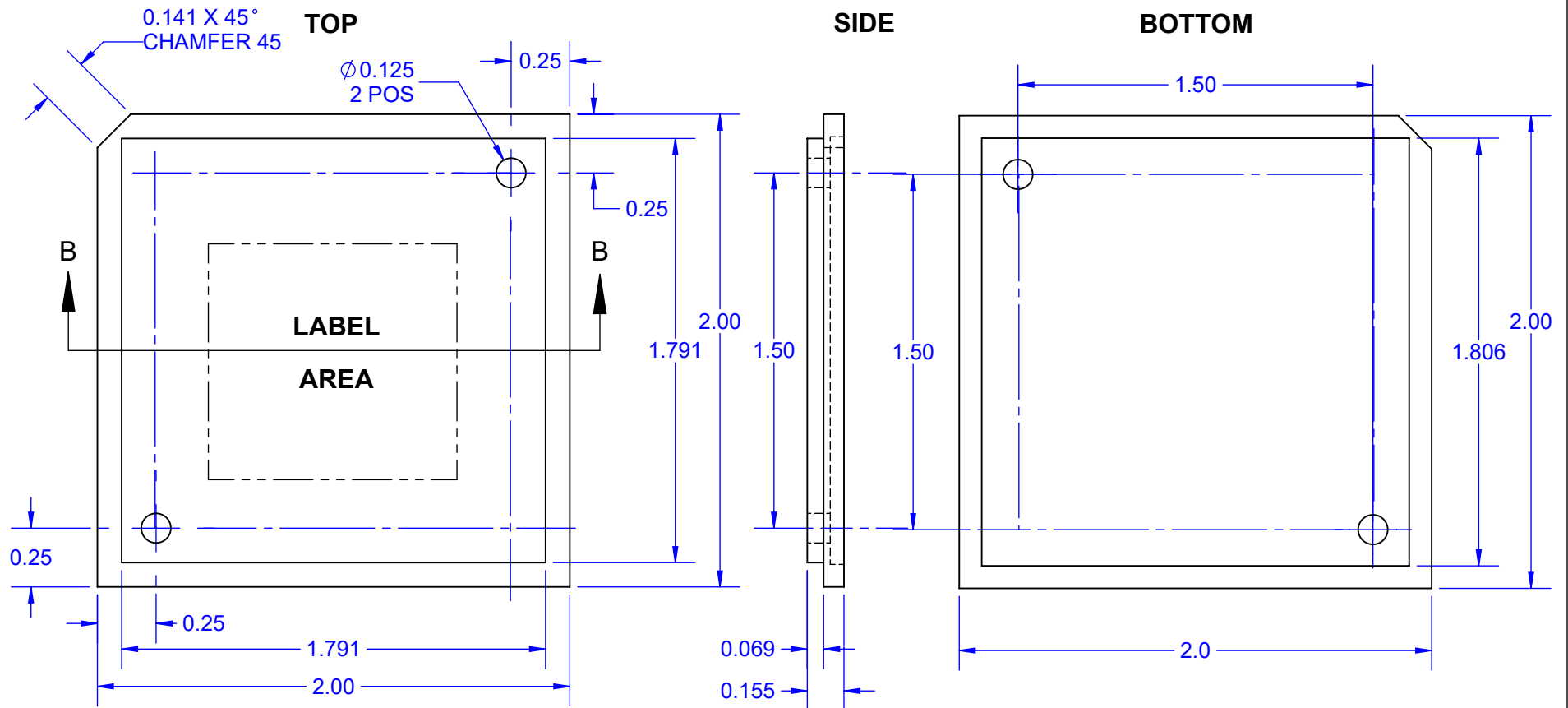
TITLE FP1.8-BOTTOM-1.5B
BOTTOM RETENTION PLATE

SCALE	SIZE	DRAWING NO.	REV
2:1	A	001051	A

DO NOT SCALE DRAWING

SHEET 6 OF 11

COVER 001040 REV B

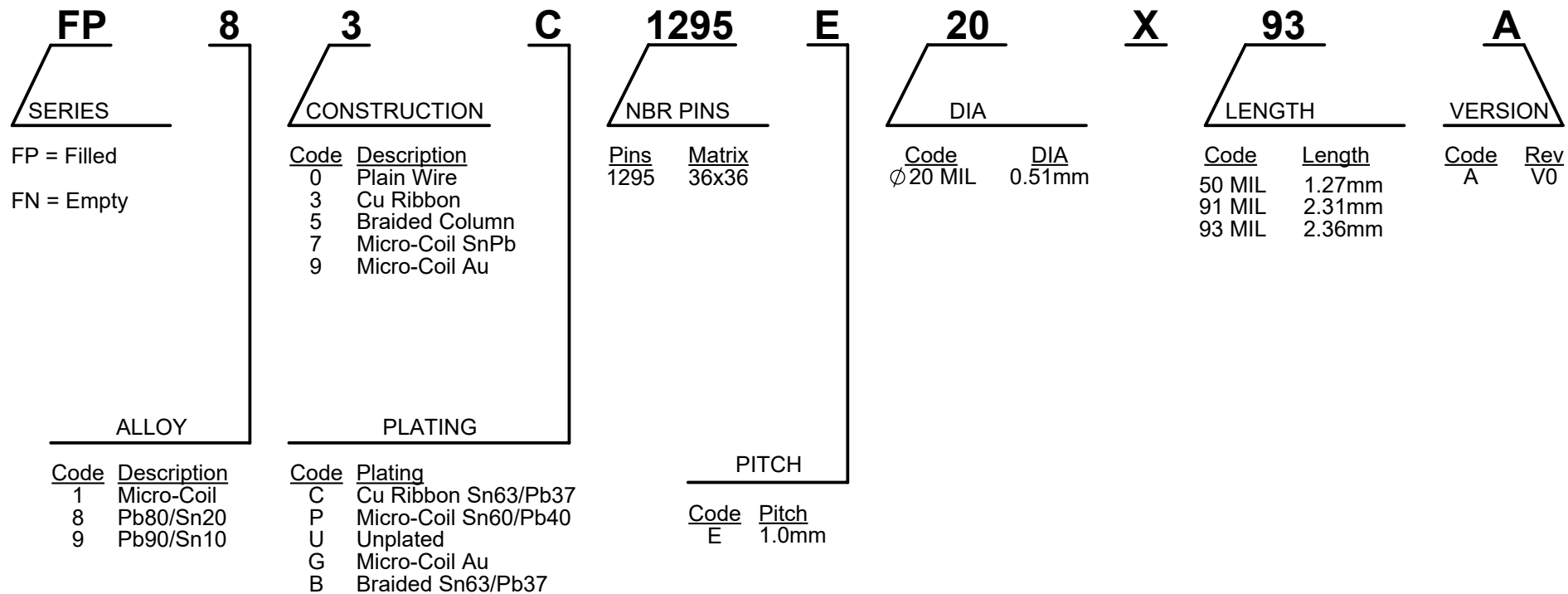


HOLE CHART		
SYMBOL	DIAMETER UNPLATED	QTY HOLES
+	Ø0.125	2

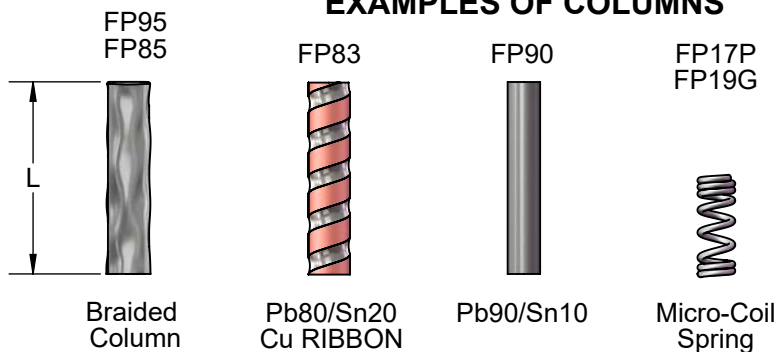
Notes: (Unless Otherwise Specified).
 1) DIMENSIONS: INCH.
 2) MATERIAL: TRANSPARENT PMMA PLASTIC.
 3) ANTISTATIC: 10¹²Ω SURFACE RESISTANCE.

TopLine®			
TITLE FLIP-PACK® TOP COVER 2-INCH 1.50 SPACE			
SCALE 3:2	SIZE A	DRAWING NO. 001040	REV B
DO NOT SCALE DRAWING			SHEET 7 OF 11

FLIP-PACK® PART NUMBERING SYSTEM



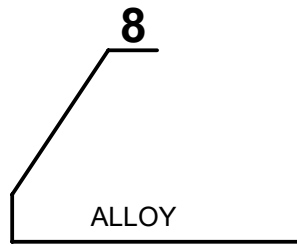
EXAMPLES OF COLUMNS



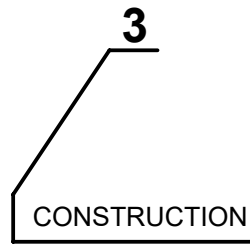
NOTE: COLUMN TO BE TRIMMED TO 2.21mm AFTER ATTACHMENT.

TITLE FP1295A FLIP-PACK® CCGA COLUMN CARRIER			
SCALE 10:1	SIZE A	DRAWING NO. 001362	REV A
DO NOT SCALE DRAWING			SHEET 8 OF 11

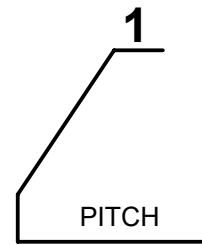
FLIP-PACK® DRAWING NUMBERING SYSTEM



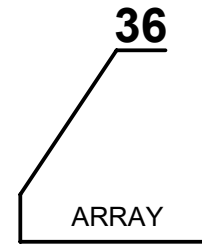
Code	Description
00	Empty
1	Micro-Coil
8	Pb80/Sn20
9	Pb90/Sn10



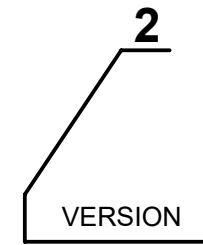
Code	Description
0	Plain Wire
3	Cu Ribbon
5	Braided Column
7	Micro-Coil SnPb
9	Micro-Coil Au



Code	Pitch
1	1.0mm

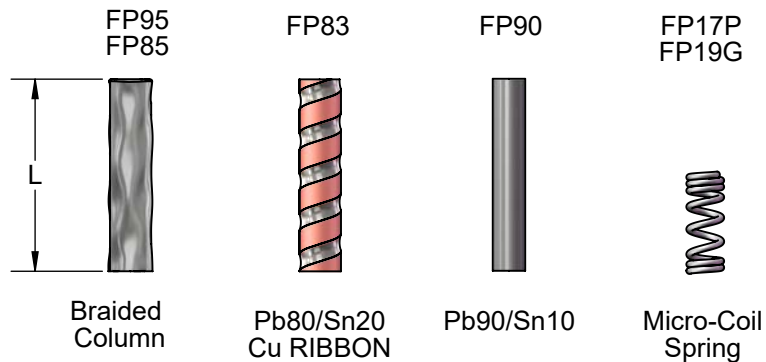


Code	Matrix
36	36x36



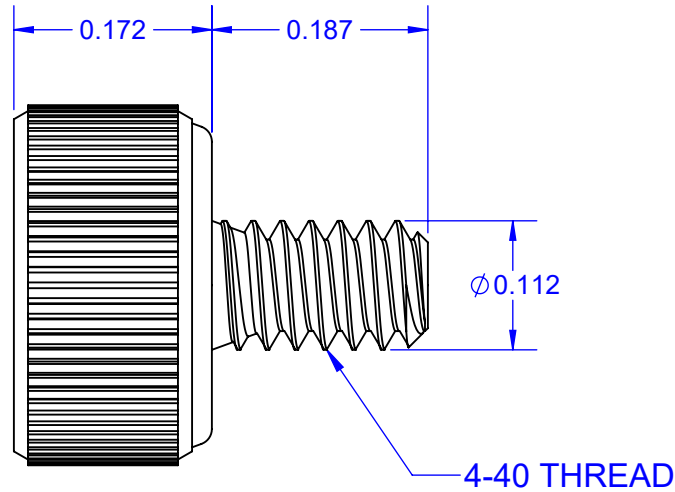
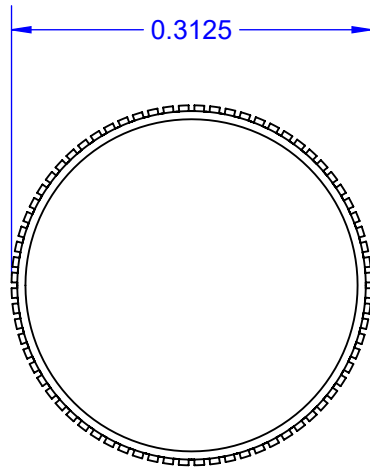
Code	Rev
2	∅0.51mm L=2.36mm

EXAMPLES OF COLUMNS

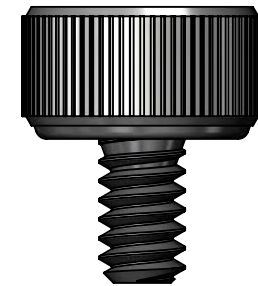
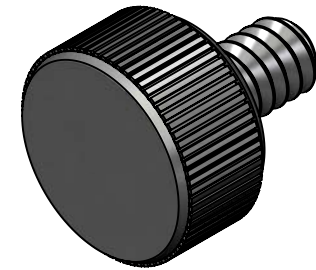


TopLine®			
TITLE FP1295A FLIP-PACK® CCGA COLUMN CARRIER			
SCALE 10:1	SIZE A	DRAWING NO. 001362	REV A
DO NOT SCALE DRAWING			SHEET 9 OF 11

HARDWARE PLASTIC KNURLED HEAD THUMB SCREW



MODELS



- NOTES:**
1. DIMENSIONS INCHES (UNLESS OTHERWISE SPECIFIED).
 2. SHAFT MATERIAL 18-8 STAINLESS STEEL.
 3. HEAD: PLASTIC.
 4. COLOR: BLACK.

DRILL TABLE

HEAD COLOR	THREAD	MAX OD	TAP DRILL Start Hole	CL HOLE Loose Fit	L SHAFT	DWG
BLACK	4-40	0.112"	0.089"	0.136"	0.187	704018

TopLine®

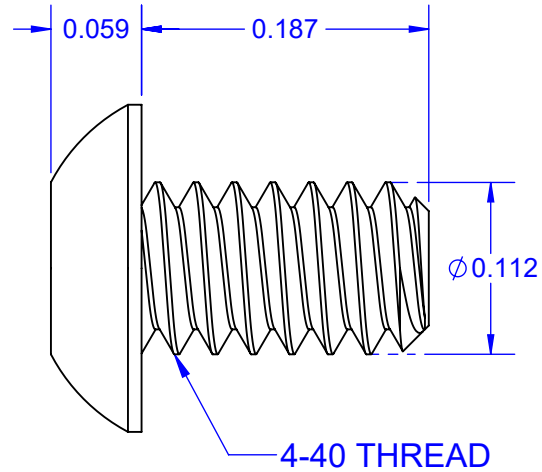
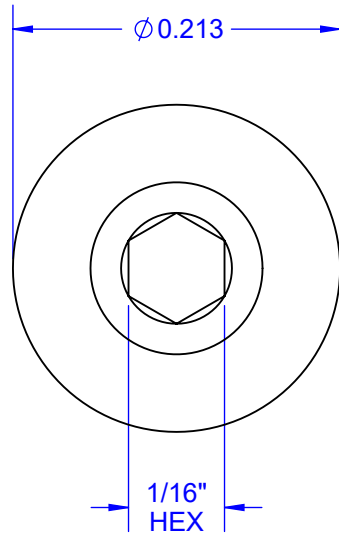
TITLE KNURL THUMB SCREW
4-40 PLASTIC HEAD

SCALE 6:1	SIZE A	DRAWING NO. 704018	REV A
--------------	-----------	-----------------------	----------

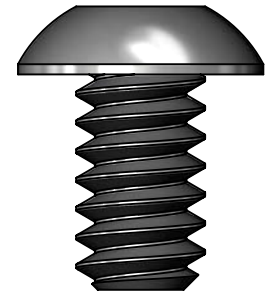
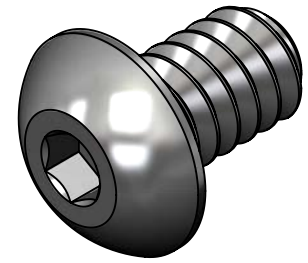
DO NOT SCALE DRAWING

SHEET 10 OF 11

BUTTON HEAD SCREW




MODELS



- NOTES: (UNLESS OTHERWISE SPECIFIED)
 1. DIMENSIONS INCHES.
 2. MATERIAL: SEE TABLE.
 3. COLOR: SEE TABLE.

DRILL TABLE						
MATERIAL	COLOR	THREAD	MAX OD	TAP DRILL Start Hole	L	DWG
8-18	STAINLESS	4-40	0.112"	0.089"	0.187"	704035

			
TITLE BUTTON HEAD CAP SCREW 4-40x .187" (1/16 HEX)			
SCALE 8:1	SIZE A	DRAWING NO. 704035	REV A
DO NOT SCALE DRAWING			SHEET 11 OF 11