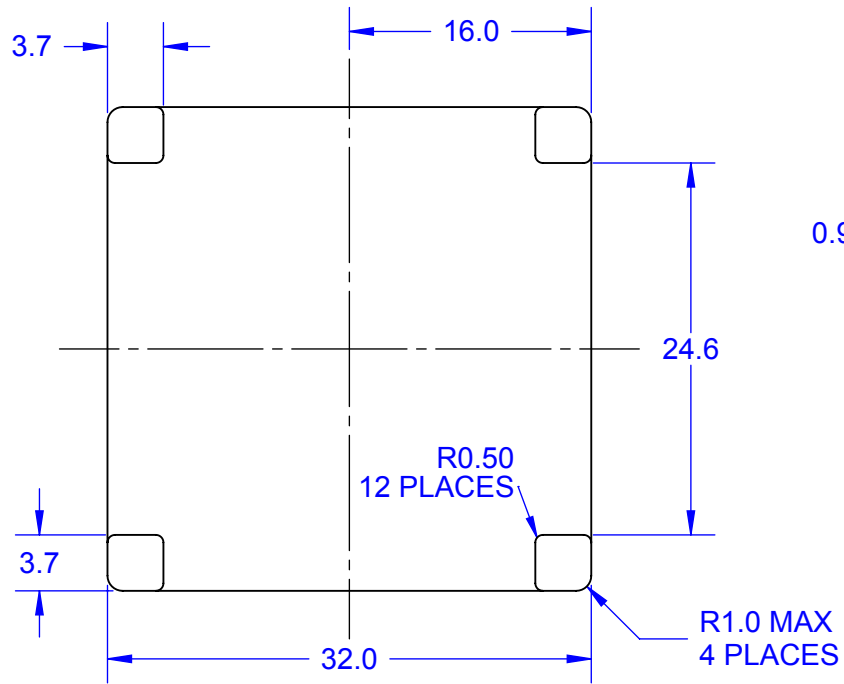
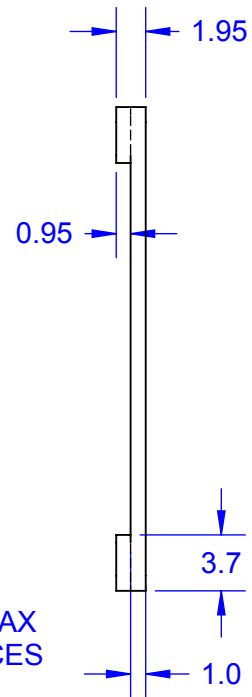


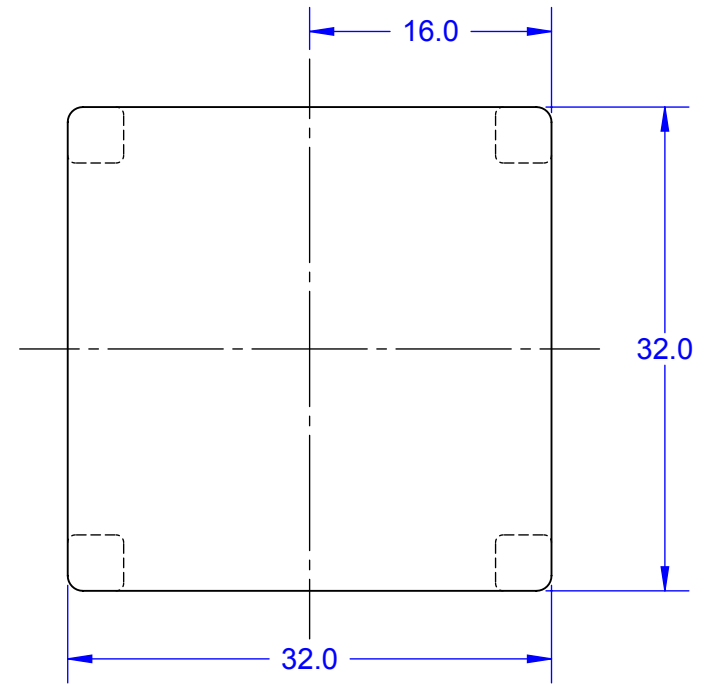
### BOTTOM VIEW



### SIDE VIEW

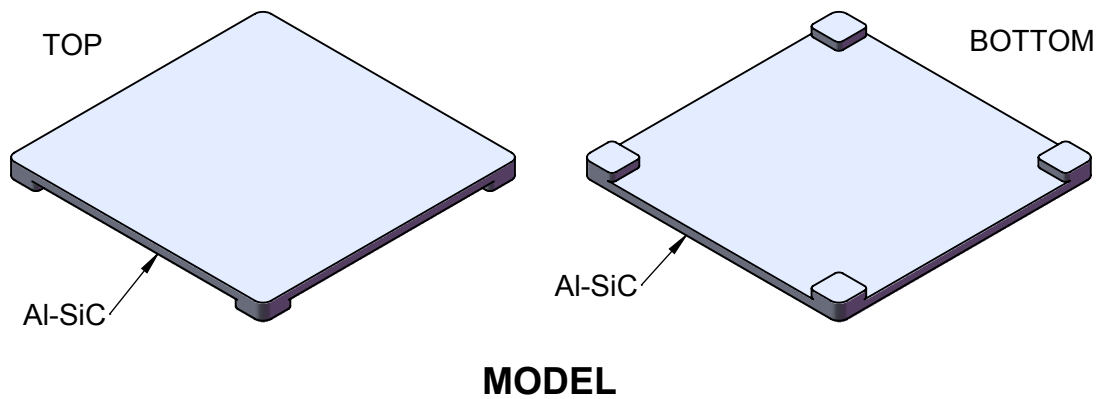


### TOP VIEW



#### NOTES:

1. DIMENSIONS IN mm.
2. MATERIAL Al-SiC.
3. TOLERANCE  $\pm 0.127$ mm.



APPROVALS	DATE	<b>TopLine®</b>			
DRAWN T. Au	09/28/14				
ENG M. Hart	09/28/14	TITLE CN-CAP32A HEAT SPREADER			
MFG		SCALE	SIZE	DRAWING NO.	REV
QA		2:1	A	111320	A
CUST		DO NOT SCALE DRAWING			SHEET 1 OF 1
REVISED					