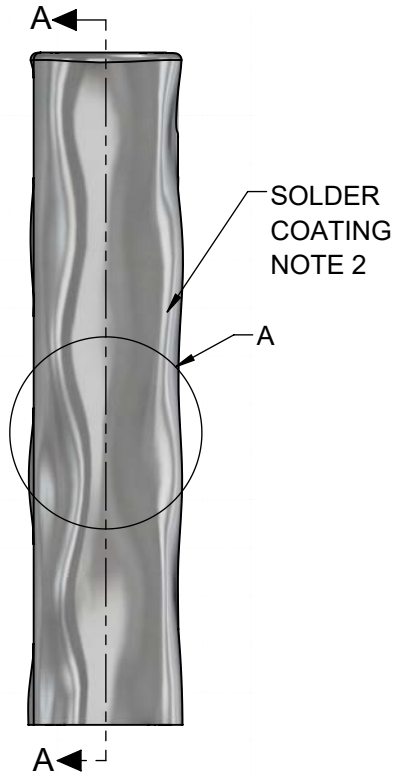
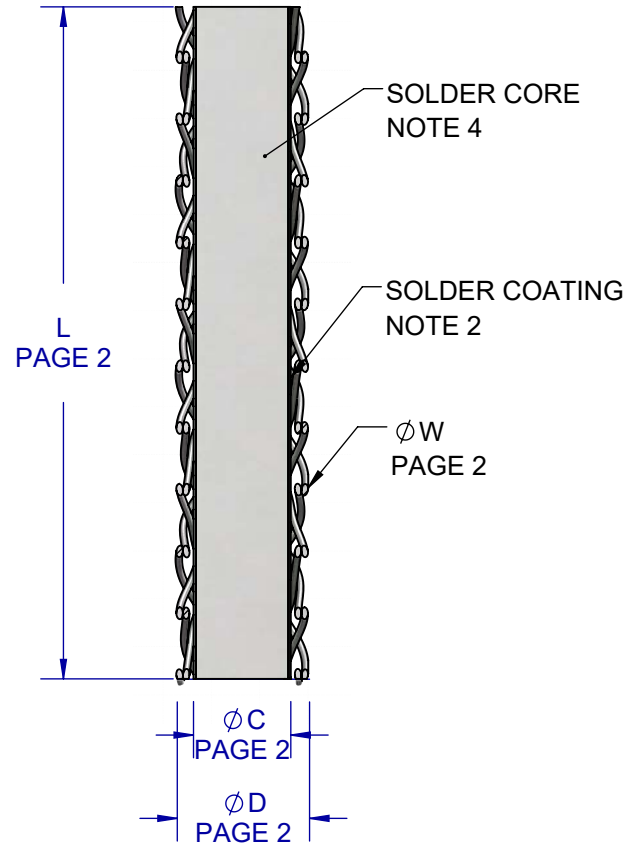


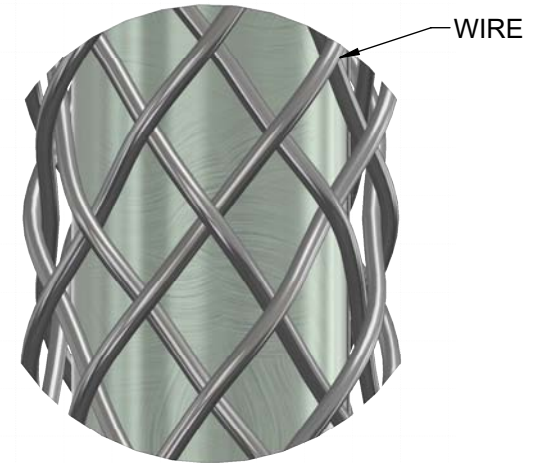
### AFTER COATING



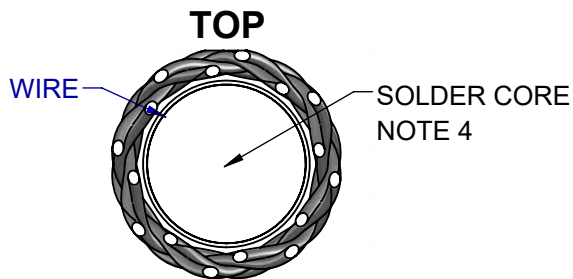
### BEFORE COATING SECTION VIEW



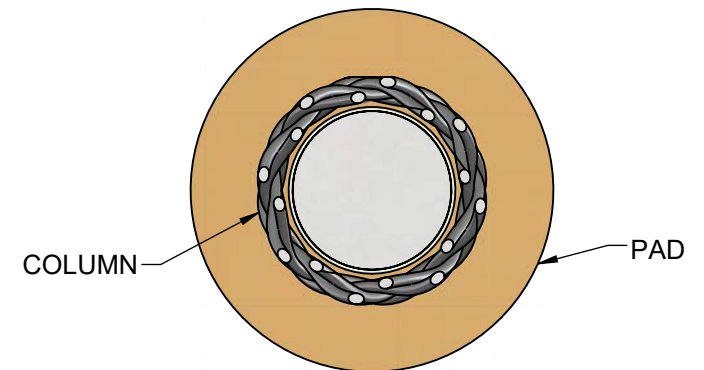
### BRAIDED PATTERN 16X WIRES



DETAIL A  
BEFORE COATING  
SCALE 100:1



### LAND PAD



NOTES: (UNLESS OTHERWISE SPECIFIED).

1. DIMENSIONS: MM [INCH].
2. THICKNESS: SOLDER COATING 6~25µm [0.25~1.0 MIL].
3. WIRE: 16 STRANDS BeCu ALLOY C172.
4. MATERIAL OPTIONS: SEE PAGE 4.

APPROVALS	DATE	<b>TopLine®</b>			
DRAWN T.Au	3/24/2024				
ENG M. Hart	3/24/2024	TITLE BC10H20X BRAIDED COLUMNS LEAD FREE			
MFG		SCALE	SIZE	DRAWING NO.	REV
QA		35:1	A	952000	A
CUST		DO NOT SCALE DRAWING			SHEET 1 OF 5
REVISED					

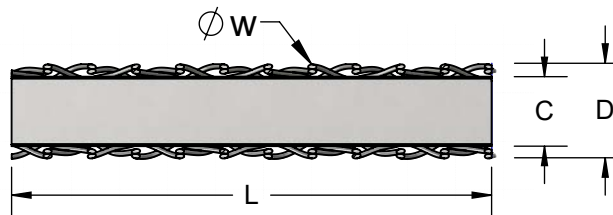
**COLUMN PART NUMBER  
LEAD-FREE RoHS**

$\phi$ D Diameter	PART NUMBER Core Sn90/Sb10	$\phi$ C Core	LENGTH (L)	
			mm	Inch
0.50mm (0.020") 20mil	BC10H20x40B	0.35mm	1.00	0.040
	BC10H20x50B		1.27	0.050
	BC10H20x60B		1.52	0.060
	BC10H20x63B		1.60	0.063
	BC10H20x70B		1.80	0.070
	BC10H20x75B		1.90	0.075
	BC10H20x87B		2.21	0.087
	BC10H20x91B		2.31	0.091
	BC10H20x93B		2.36	0.093
	BC10H20x100B		2.54	0.100

$\phi$  W = 0.038mm (1.5 mil). Solder Coating Sn90/Ag3.0/In6

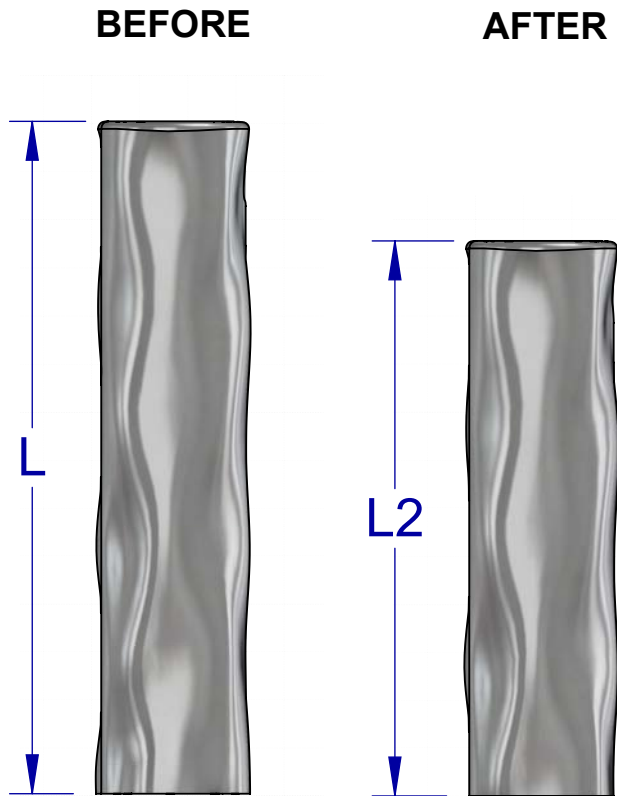
NOTES:

1. OTHER DIAMETERS AND LENGTHS AVAILABLE.
2. ALTERNATIVE CORE MATERIALS AVAILABLE.
3. LENGTH "L" AS DELIVERED BEFORE TRIMMING.



<b>TopLine<sup>®</sup></b>			
TITLE BC10H20X BRAIDED COLUMNS LEAD FREE			
SCALE NONE	SIZE A	DRAWING NO. 952000	REV A
DO NOT SCALE DRAWING		SHEET 2 OF 5	

## COLUMN PLANARIZATION (TRIMMING)



L (Note 1)		L2 (Note 2)	
mm	Inch	mm	Inch
0.80mm	0.031"	0.61 ~ 0.71mm	0.024 ~ 0.028"
0.90mm	0.035"	0.71 ~ 0.79mm	0.028 ~ 0.031"
1.0mm	0.040"	0.76 ~ 0.89mm	0.030 ~ 0.035"
1.27mm	0.050"	1.00 ~ 1.14mm	0.040 ~ 0.045"
1.52mm	0.060"	1.27 ~ 1.40mm	0.050 ~ 0.055"
1.60mm	0.063"	1.35 ~ 1.45mm	0.053 ~ 0.057"
1.70mm	0.067"	1.45 ~ 1.58mm	0.057 ~ 0.062"
1.80mm	0.070"	1.52 ~ 1.65mm	0.060 ~ 0.065"
1.90mm	0.075"	1.65 ~ 1.75mm	0.065 ~ 0.070"
2.21mm	0.087"	1.95 ~ 2.08mm	0.077 ~ 0.082"
2.31mm	0.091"	2.05 ~ 2.21mm	0.081 ~ 0.087"
2.36mm	0.093"	2.11 ~ 2.21mm	0.083 ~ 0.087"
2.41mm	0.095"	2.11 ~ 2.21mm	0.083 ~ 0.087"
2.54mm	0.100"	2.21 ~ 2.41mm	0.087 ~ 0.095"

CONTACT TOPLINE FOR OTHER LENGTHS

**NOTES:**

1. COLUMN LENGTH AS DELIVERED.
2. COLUMN PLANARIZATION (TRIM) AFTER ATTACHMENT TO LGA CHIP PACKAGE.

TopLine®			
TITLE BC10H20X BRAIDED COLUMNS LEAD FREE			
SCALE 35:1	SIZE A	DRAWING NO. 952000	REV A
DO NOT SCALE DRAWING		SHEET 3 OF 5	

## BRAIDED COLUMNS MATERIALS

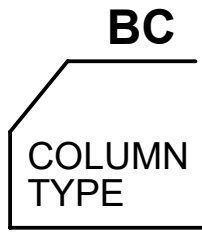
SPEC REFERENCE	LEAD FREE RoHS (SnSb)
PART SERIES	BC10H
DWG NUMBER	9520XX
CORE ALLOY	Sn90/Sb10
CORE SOLIDUS	245 °C
CORE LIQUIDUS	266 °C
SOLDER COATING	Sn90/Ag3.0/In6/Bi/Cu
BRAIDED WIRE	C172
REFLOW TEMP	~ 235 °C

**NOTES:**

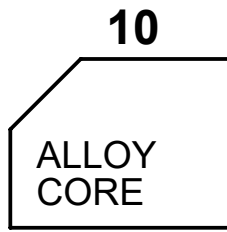
1. OTHER CORE ALLOYS AND BRAID WIRE MATERIALS AVAILABLE.

<b>TopLine<sup>®</sup></b>			
TITLE		BC10H20X BRAIDED COLUMNS LEAD FREE	
SCALE	SIZE	DRAWING NO.	REV
NONE	A	952000	A
DO NOT SCALE DRAWING			SHEET 4 OF 5

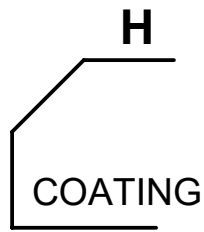
## PART NUMBERING SYSTEM



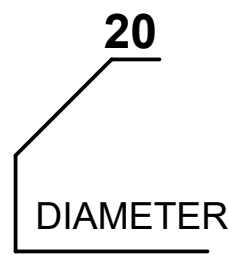
BC =  
BRAIDED  
COLUMN



**LEAD FREE RoHS**  
10 = Sn90/Sb10



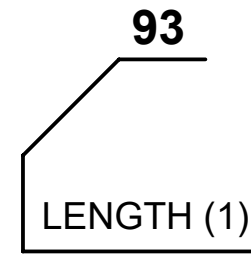
**LEAD FREE RoHS**  
H = Sn90/Ag3.5/In6.0



Mil	mm
8	0.20mm
9	0.23mm
10	0.25mm
11	0.28mm
12	0.30mm
14	0.35mm
16	0.40mm
18	0.45mm
20	0.50mm

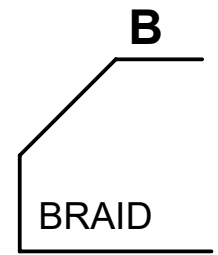


X = BULK  
E = REEL



Mil	mm
40	1.00
50	1.27
60	1.52
63	1.60
70	1.80
75	1.90
87	2.21
91	2.31
93	2.36
100	2.54

Other Available



C172 BeCu  
A =  $\phi$  0.025mm  
B =  $\phi$  0.038mm  
C =  $\phi$  0.050mm

**NOTES:**

1. NOMINAL LENGTH AS DELIVERED BEFORE PLANARIZING (TRIMMING).
2. SEE APPLICATION NOTES (Page 3) FOR TRIMMING AFTER ATTACHING TO LGA CHIP PACKAGE.

TopLine®			
TITLE      BC10H20X BRAIDED COLUMNS LEAD FREE			
SCALE	SIZE	DRAWING NO.	REV
NONE	A	952000	A
DO NOT SCALE DRAWING			SHEET 5 OF 5