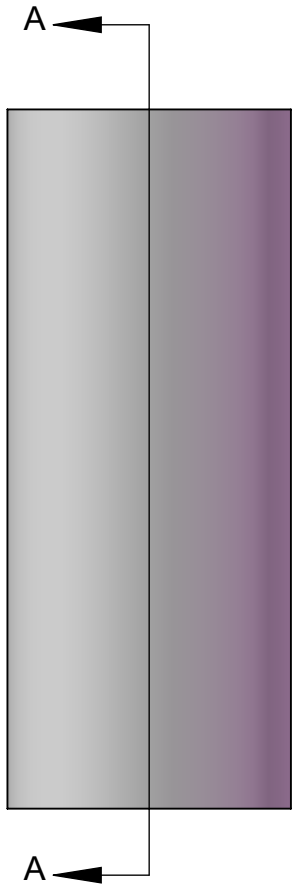
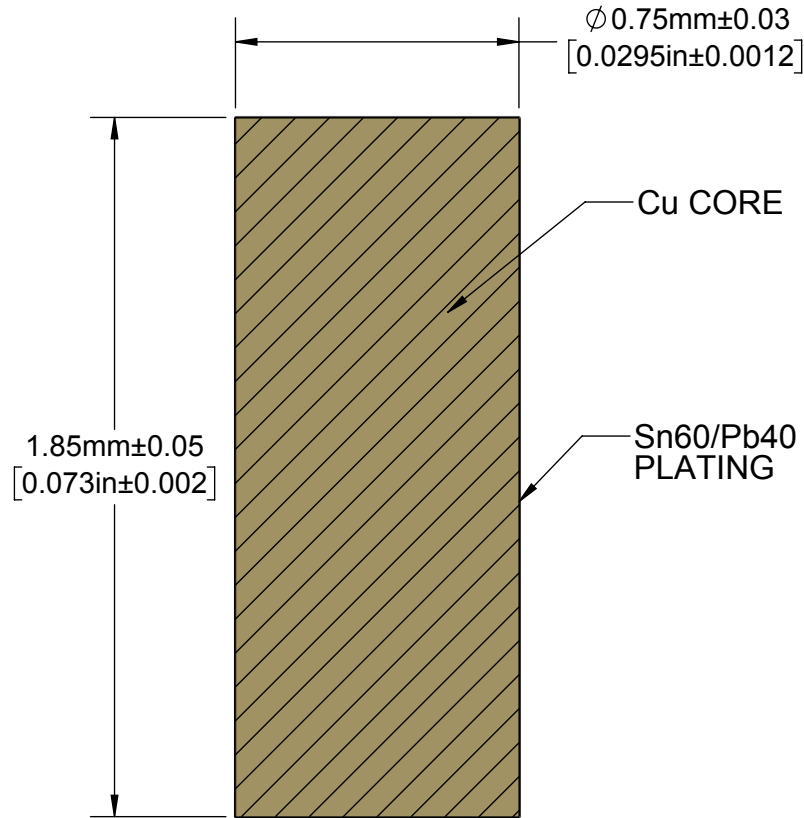


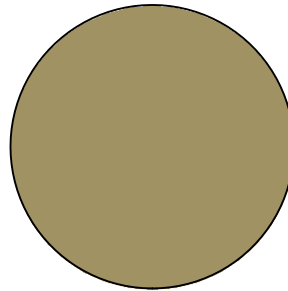
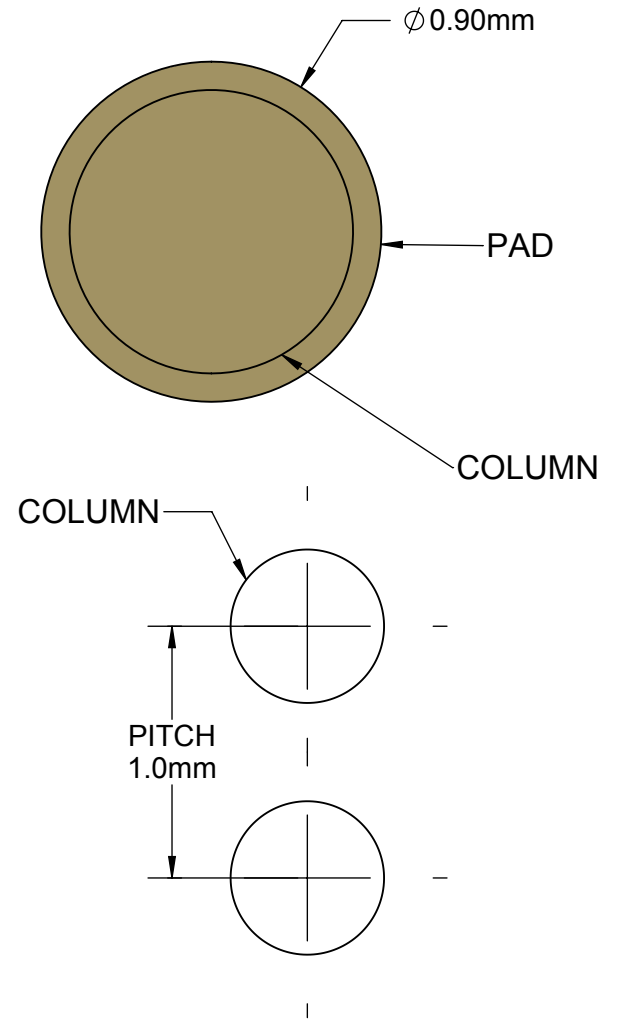
9LH9F-CF-J-9K



G97H-CB-J-9K



77; 5' @ B8'D58



9B8-J-9K

Notes: (Unless Otherwise Specified).

- 1) DIMENSIONS IN mm [INCHES].
- 2) MATERIAL: Cu COPPER ALLOY CDA101 OFE-OFHC.
- 3) PLATING: Sn60/Pb40 3.0~5.0 $\mu\text{m}$  [100~200 MICRO-INCH].
- 4) WIRE GAUGE: AWG26.

APPROVALS	DATE	<b>TopLine®</b>			
DRAWN T.Au	6/18/2019				
ENG M. Hart	6/18/2019	TITLE CU101P30x73 CCGA COPPER COLUMN			
MFG		SCALE	SIZE	DRAWING NO.	REV
QA		50:1	A	303073	A
CUST		DO NOT SCALE DRAWING			SHEET 1 OF 1
REVISED					