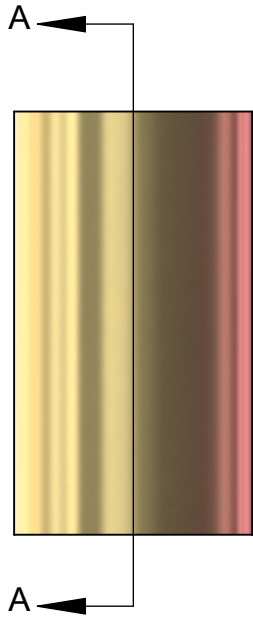
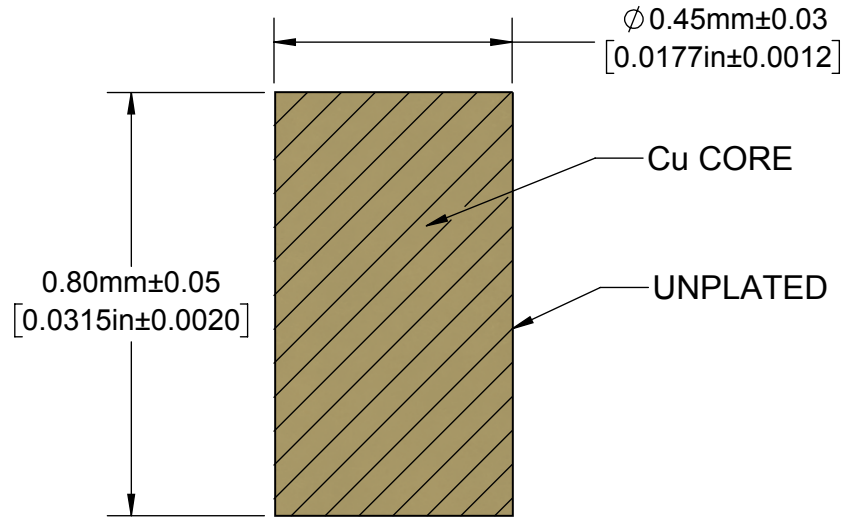


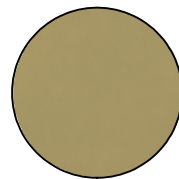
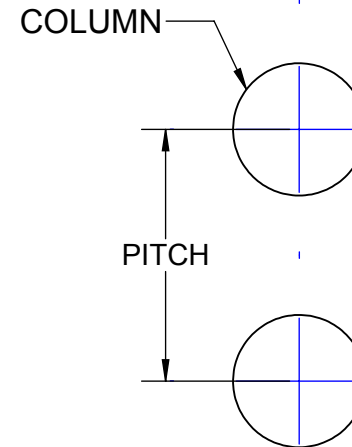
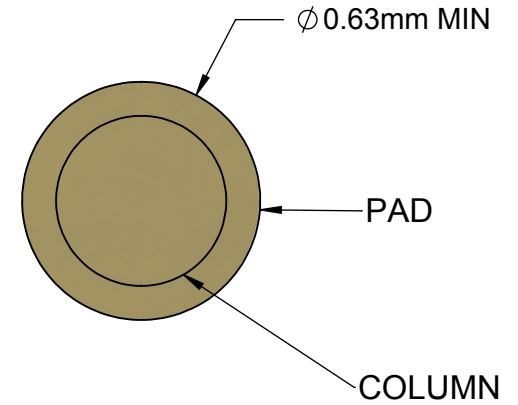
9LH9F=CF`J`9K



G97H=CB`J`9K



77; 5 ! @ B8 `D58



9B8 `J`9K

- Notes: (Unless Otherwise Specified).
- 1) DIMENSIONS IN mm [INCHES].
 - 2) MATERIAL: Cu ALLOY CDA101 Cu 99.99 (4N)
 - 3) PLATING: UNPLATED - NO SURFACE TREATMENT.
 - 4) PACKAGING: JAR IN VACUUM SEAL BAG N2 (Nitrogen Flush)

APPROVALS	DATE	TopLine®			
DRAWN T. Au	9/19/2018				
ENG M. Hart	9/19/2018	TITLE CU101U18x31-N2 COPPER PILLAR			
MFG		SCALE	SIZE	DRAWING NO.	REV
QA		50:1	A	401831	A
CUST		DO NOT SCALE DRAWING			SHEET 1 OF 1
REVISED					