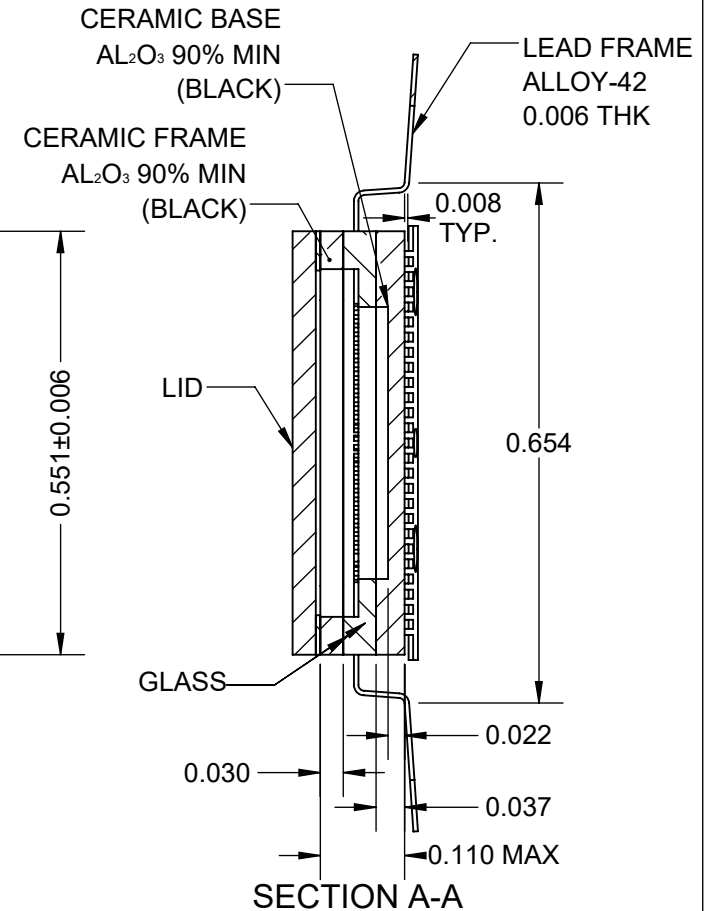


SECTION B-B

## SHOWN WITH LID TIE-BAR LEAD FRAME

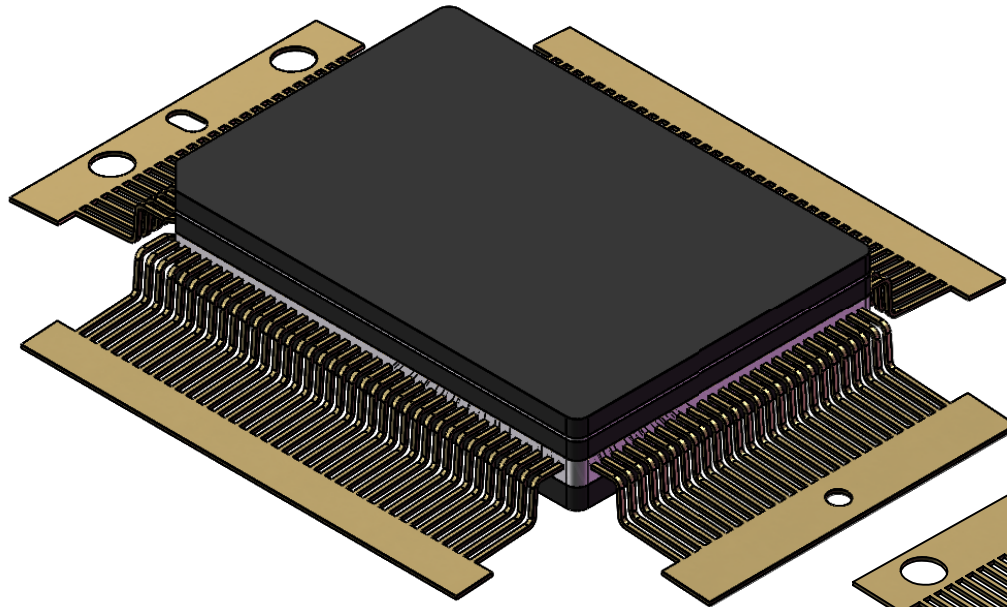


SECTION A-A

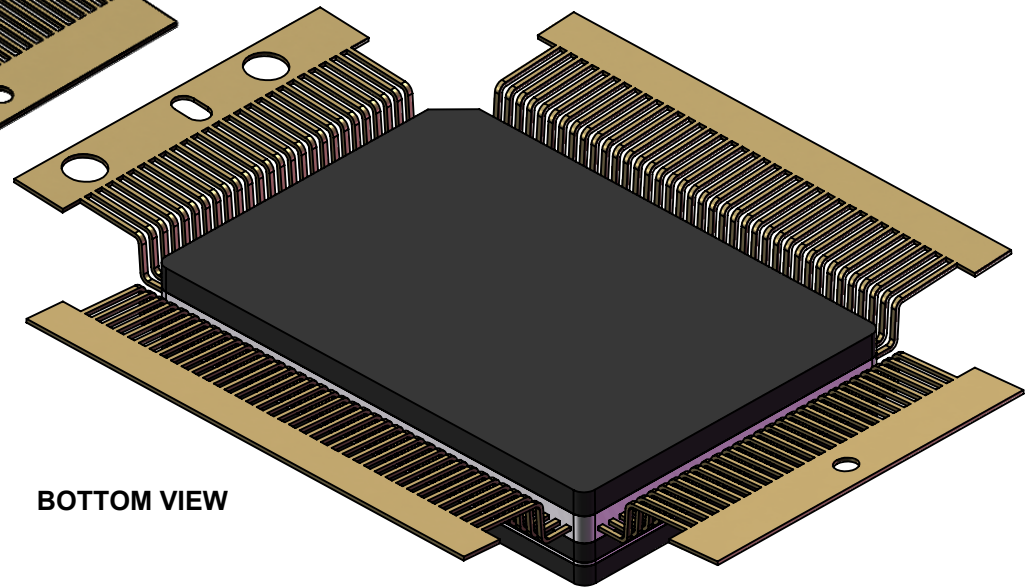
- Notes: (Unless Otherwise Specified).  
 1) DIMENSIONS: INCH [MM].  
 2) FLAT LEADS ON ALLOY 42 TIE BAR.  
 3) ALL EXPOSED METAL GOLD PLATED (Au).  
 60 micro-inch thick gold.

| <b>TopLine®</b>                  |           |                       |          |
|----------------------------------|-----------|-----------------------|----------|
| TITLE CERQUAD128G19.7<br>TIE BAR |           |                       |          |
| SCALE<br>4:1                     | SIZE<br>A | DRAWING NO.<br>181280 | REV<br>A |
| DO NOT SCALE DRAWING             |           | SHEET 1 OF 2          |          |

# MODELS WITH LID



CAVITY VIEW



BOTTOM VIEW

**TopLine®**

TITLE CERQUAD128G19.7  
TIE BAR

| SCALE | SIZE | DRAWING NO. | REV |
|-------|------|-------------|-----|
| 10:1  | A    | 181280      | A   |

DO NOT SCALE DRAWING

SHEET 2 OF 2