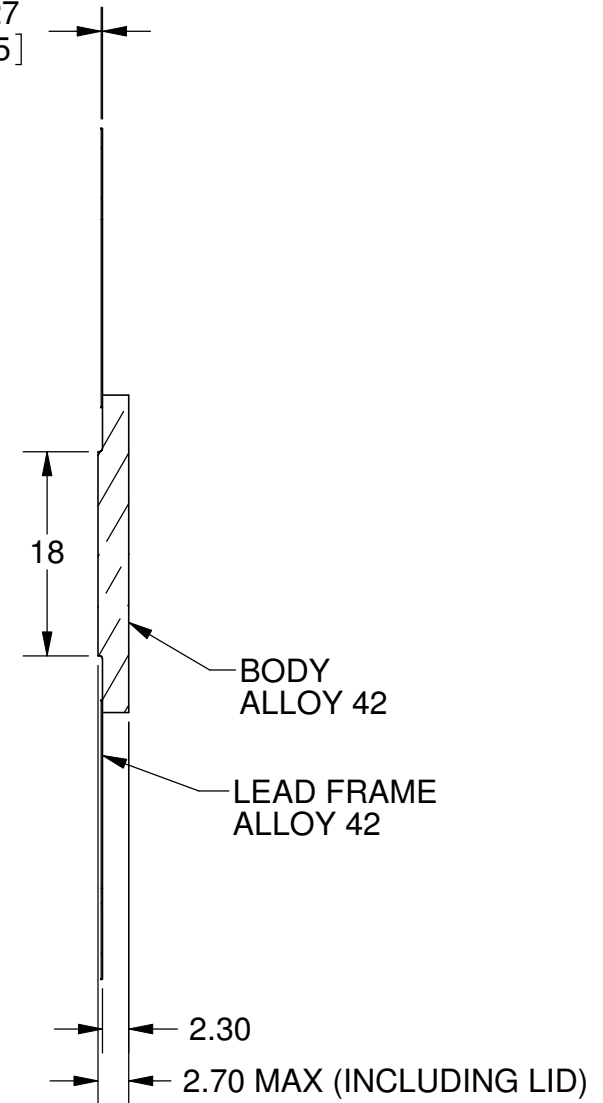

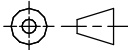


SECTION A-A

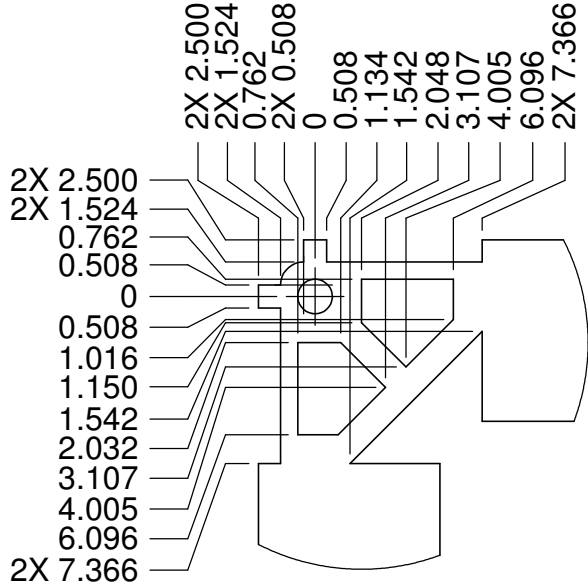
0.127
[.005]



- Notes: (Unless Otherwise Specified).
 1) DIMENSIONS: MM [INCH]
 2) FLAT LEADS ON ALLOY 42 TIE BAR.
 3) ALL EXPOSED METAL GOLD PLATED (Au).
 4) PINS: 208, METRIC LEAD PITCH 0.5mm.

TOLERANCE UNLESS NOTED		APPROVALS	DATE				
X.X	+/- 0.3	DRAWN J. Hines	10/15/2010				
X.XX	+/- 0.03			208 PIN - 0.5mm PITCH			
X.XXX	+/- 0.003	ENG		SCALE	SIZE	DRAWING NO.	REV
ALL DIMENSIONS IN		MFG		1.5:1	A	132208	A
□ INCHES ☒ MILLIMETERS		QA		DO NOT SCALE DRAWING			
THIRD ANGLE PROJECTION		CUST		SHEET 1 OF 4			
		REVISED					

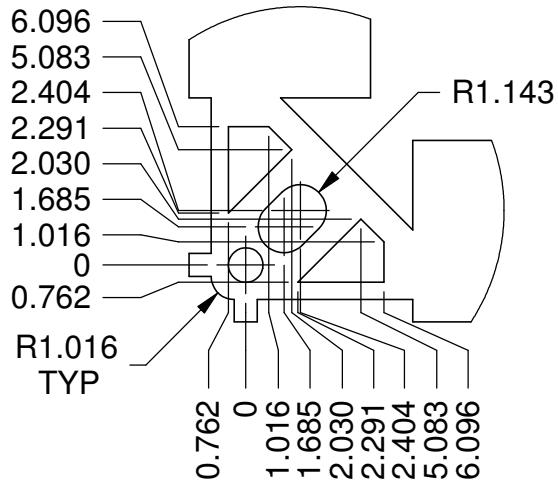
CERQUAD LEAD FRAME



DETAIL B
SCALE 3 : 1

DETAIL D
SCALE 3 : 1

TYPICAL CORNER CUTOUTS
DIMENSIONED IN THIS DETAIL

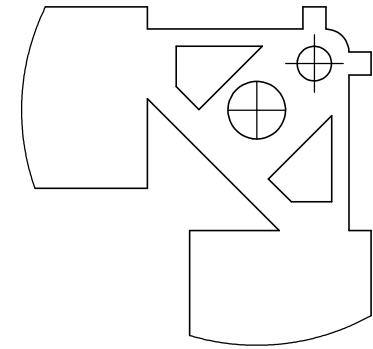


1.270
TYP

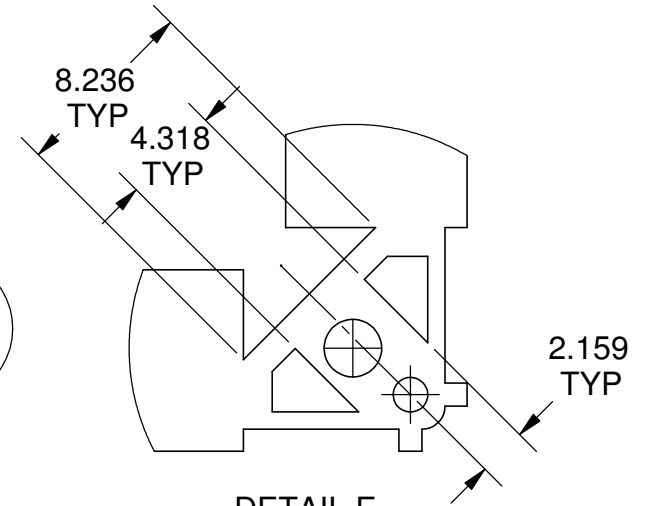
86.397
TYP

45°
TYP

45°
TYP



DETAIL C
SCALE 3 : 1



DETAIL E
SCALE 3 : 1

TopLine[®]

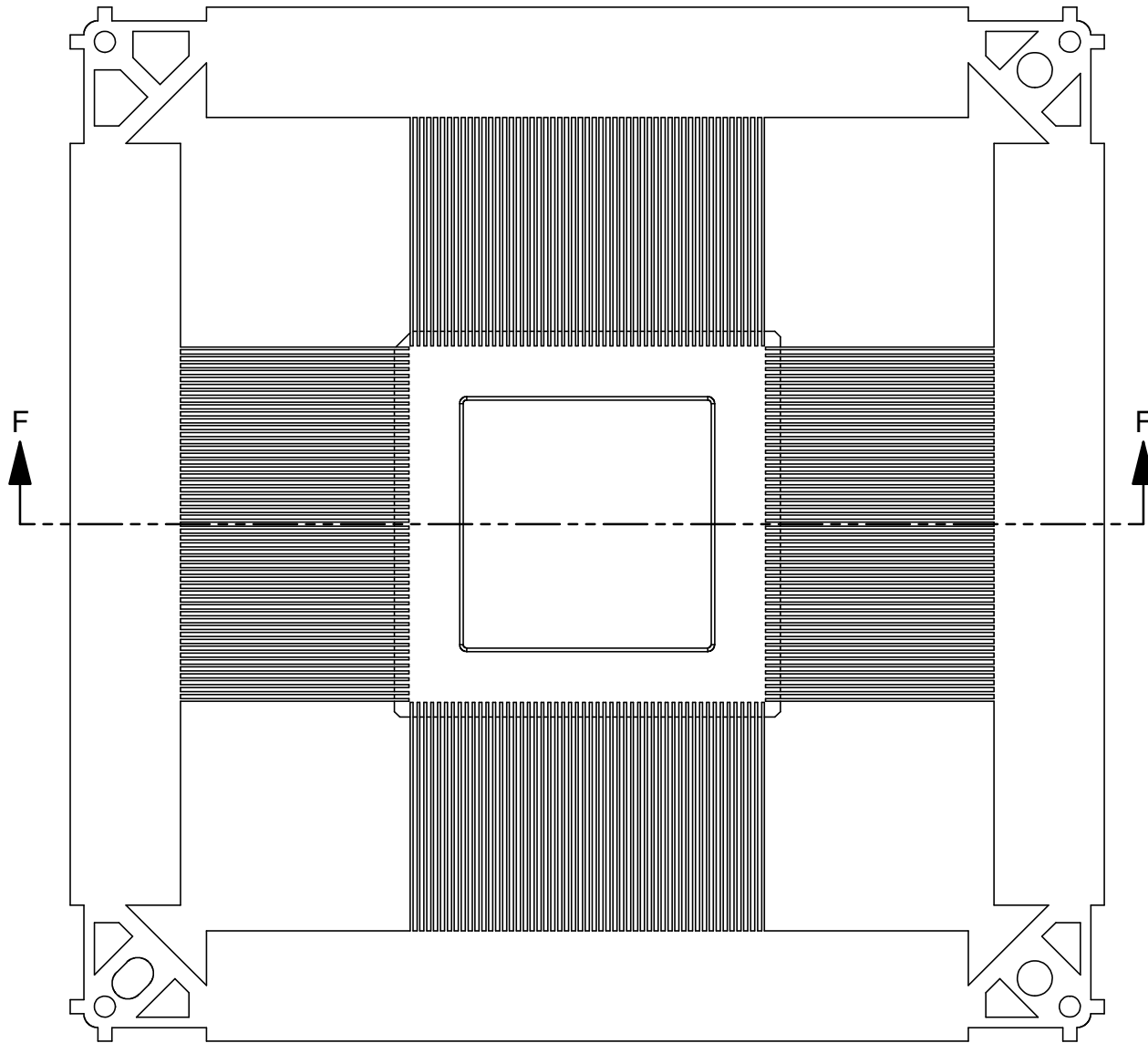
TITLE CERQUAD208F19.7A DUMMY
208 PIN - 0.5mm PITCH

SCALE	SIZE	DRAWING NO.	REV
1:1	A	132208	A

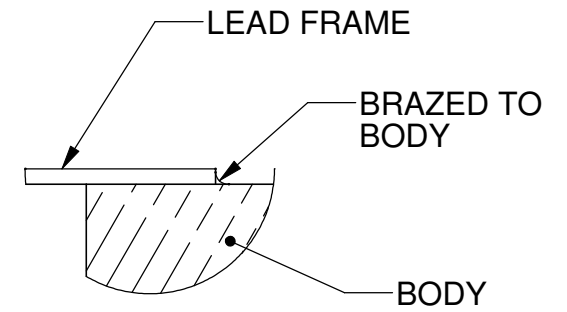
DO NOT SCALE DRAWING

SHEET 2 OF 4

CERQUAD LEAD FRAME



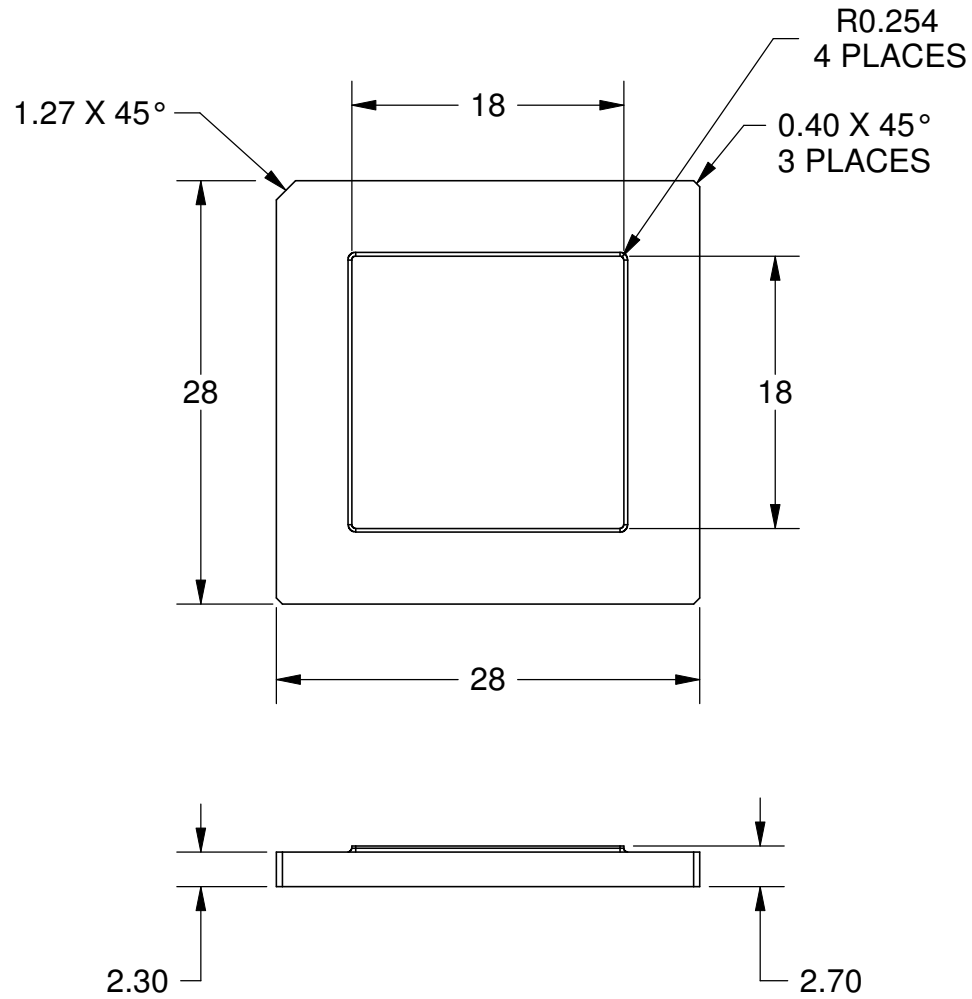
SECTION F-F



DETAIL G
SCALE 16 : 1

TopLine [®]			
TITLE CERQUAD208F19.7A DUMMY 208 PIN - 0.5mm PITCH			
SCALE 2:1	SIZE A	DRAWING NO. 132208	REV A
DO NOT SCALE DRAWING		SHEET 3 OF 4	

CERQUAD BODY
ALLOY 42
GOLD PLATED



TopLine®

TITLE CERQUAD208F19.7A DUMMY
208 PIN - 0.5mm PITCH

SCALE	SIZE	DRAWING NO.	REV
2:1	A	132208	A

DO NOT SCALE DRAWING

SHEET 4 OF 4