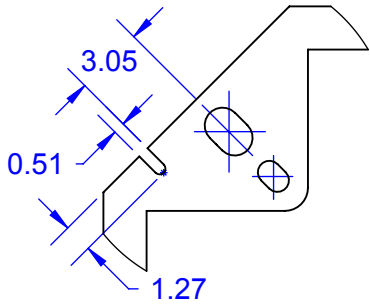


Notes: (Unless Otherwise Specified)

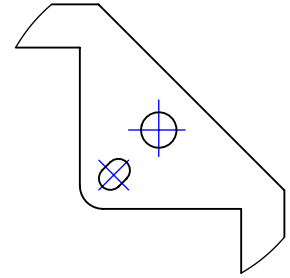
- 1) DIMENSIONS: IN MM [INCH].
- 2) FLAT LEADS ON TIE BAR KOVAR OR ALLOY 42.
- 3) ALL EXPOSED METAL GOLD PLATED (Au).
- 4) LEAD PITCH 0.508mm (20 MILS).

APPROVALS	DATE	TopLine®		
DRAWN T. Au	05/10/13			
ENG M. Hart	05/10/13	TITLE CERQUAD256F20 DUMMY 256 Pin PITCH 0.508MM		
MFG		SCALE 2:1	SIZE A	DRAWING NO. 135256
QA				REV A
CUST				
REVISED		DO NOT SCALE DRAWING		SHEET 1 OF 5

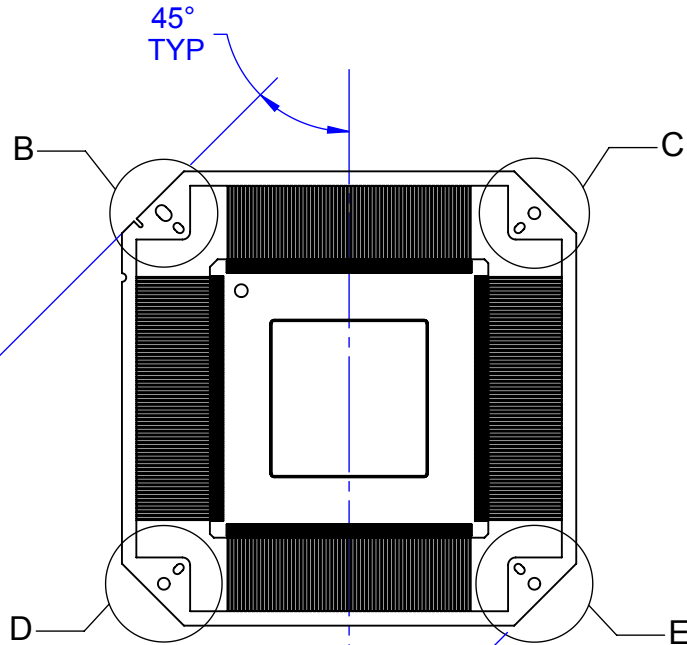
CERQUAD LEAD FRAME



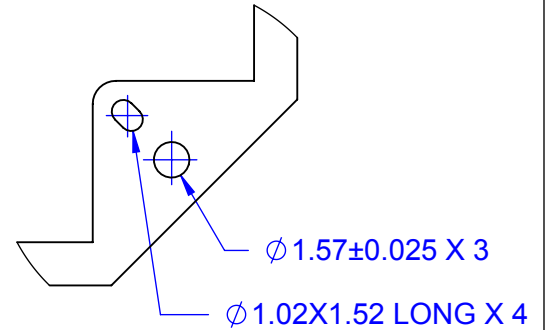
DETAIL B
SCALE 3 : 1



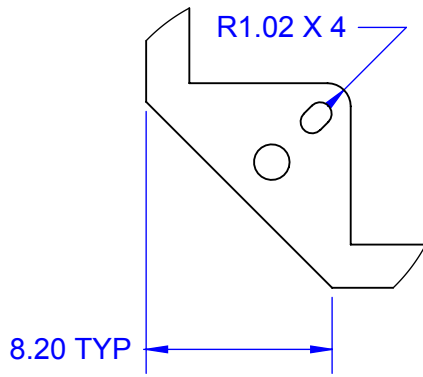
DETAIL C
SCALE 3 : 1



73.40 TYP



DETAIL E
SCALE 3 : 1



DETAIL D
SCALE 3 : 1

TopLine®

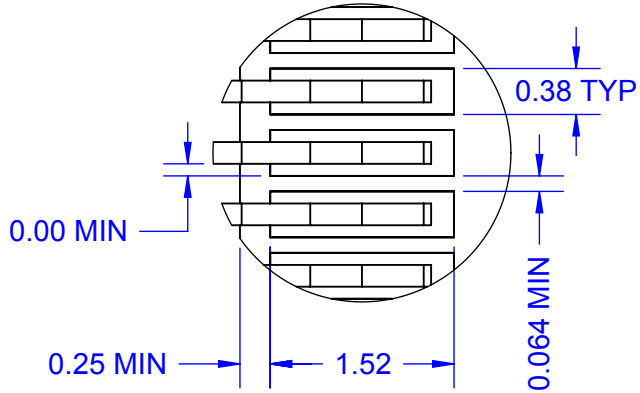
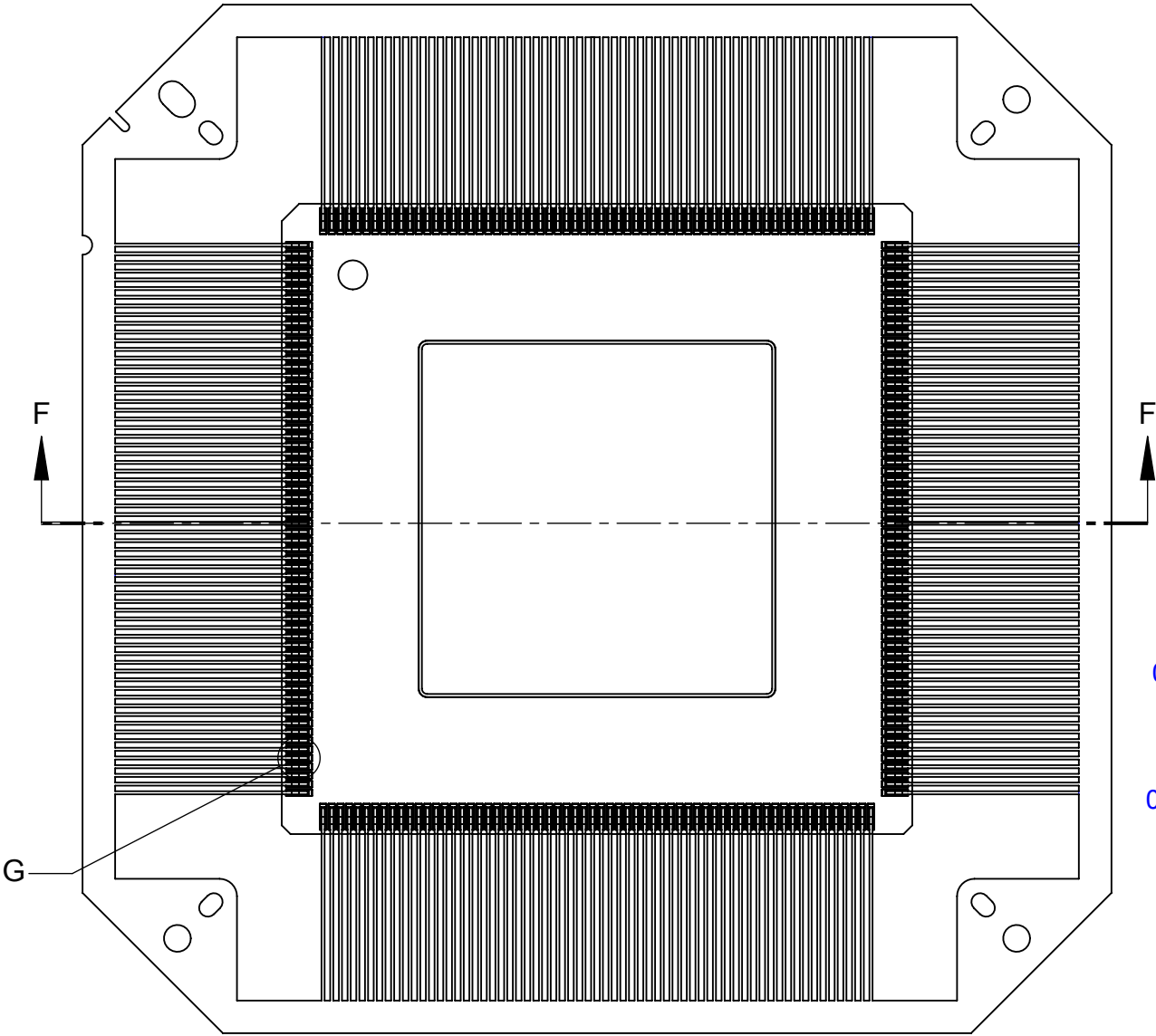
TITLE CERQUAD256F20 DUMMY
256 Pin PITCH 0.508MM

SCALE 1:1	SIZE A	DRAWING NO. 135256	REV A
--------------	-----------	-----------------------	----------

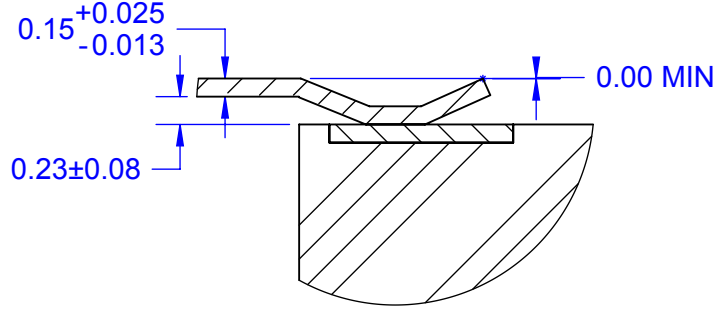
DO NOT SCALE DRAWING

SHEET 2 OF 5

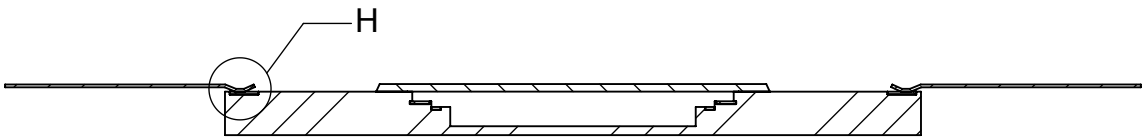
CERQUAD LEAD FRAME



DETAIL G
SCALE 16 : 1



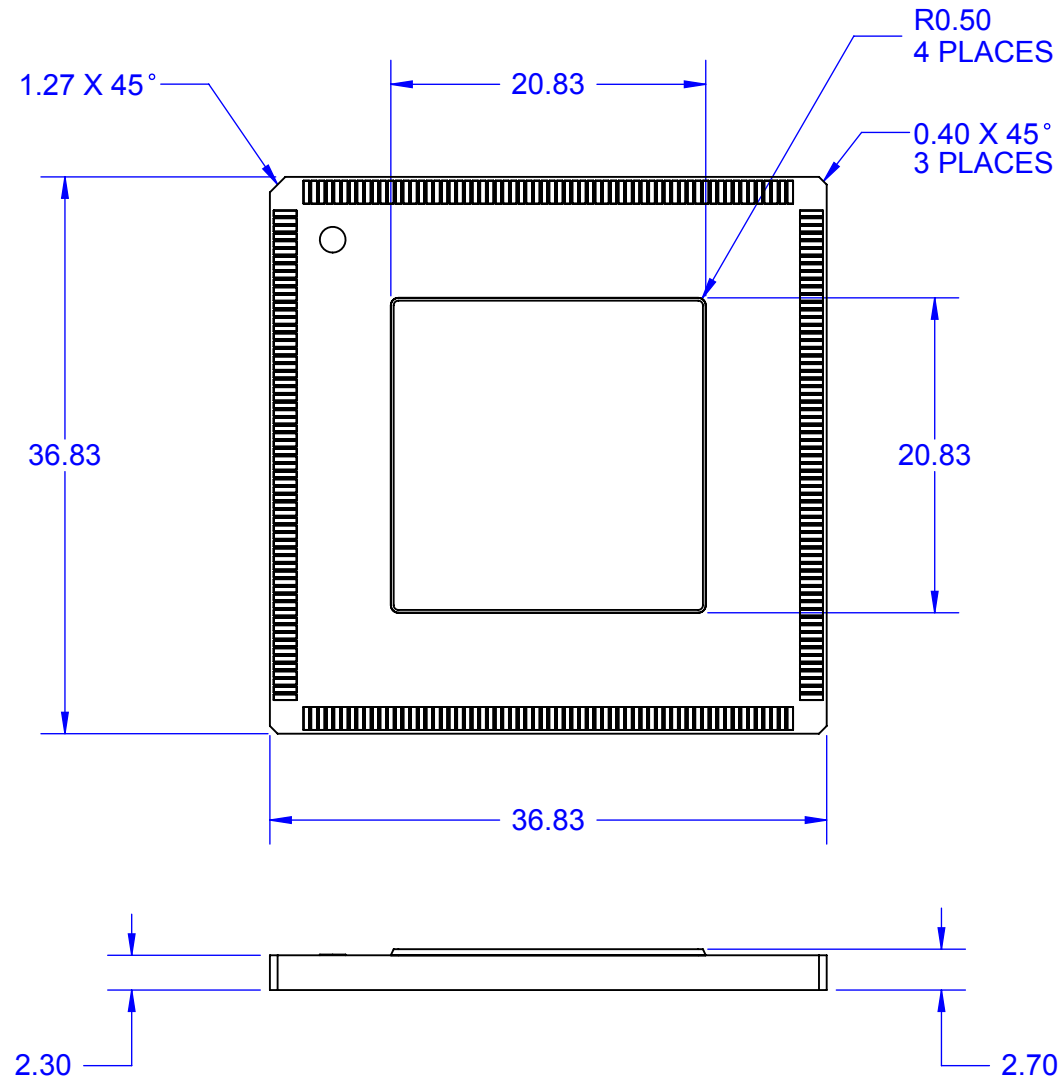
DETAIL H
SCALE 16 : 1



SECTION F-F

TopLine®			
TITLE CERQUAD256F20 DUMMY 256 Pin PITCH 0.508MM			
SCALE 2.5:1	SIZE A	DRAWING NO. 135256	REV A
DO NOT SCALE DRAWING			SHEET 3 OF 5

CERQUAD BODY



TopLine®

TITLE CERQUAD256F20 DUMMY
256 Pin PITCH 0.508MM

SCALE 2.5:1	SIZE A	DRAWING NO. 135256	REV A
----------------	-----------	-----------------------	----------

DO NOT SCALE DRAWING

SHEET 4 OF 5

