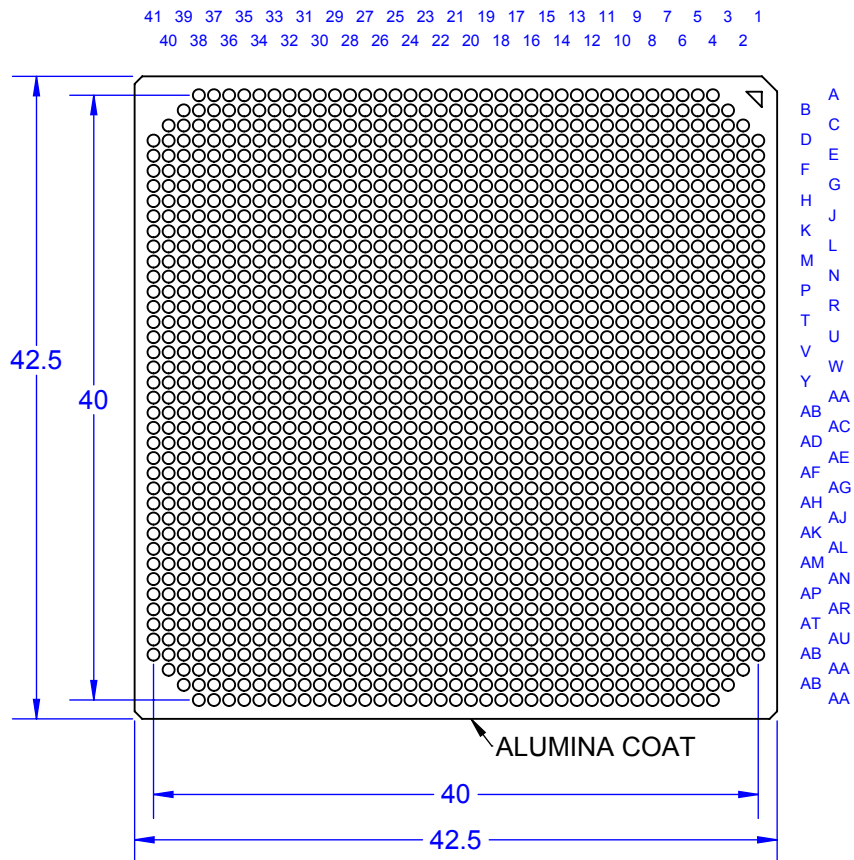
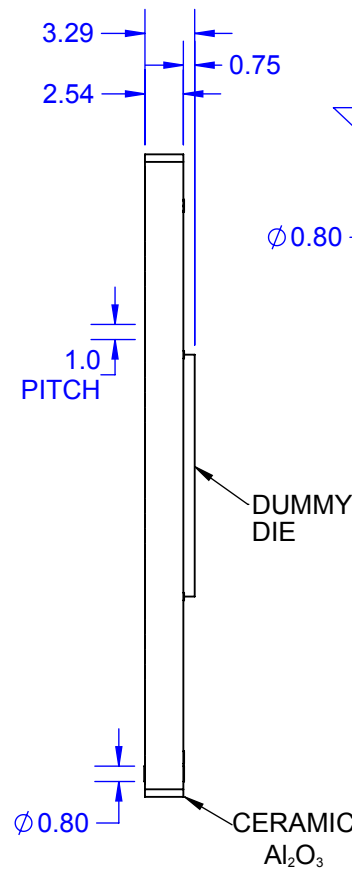


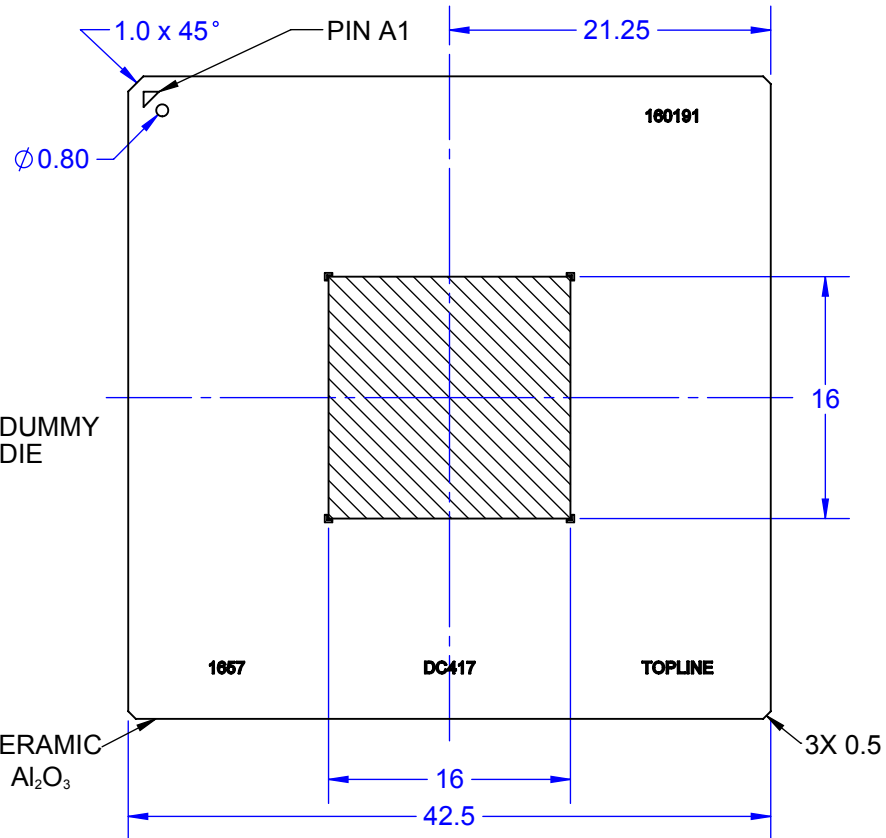
BOTTOM VIEW



SIDE VIEW



TOP VIEW



NOTES:

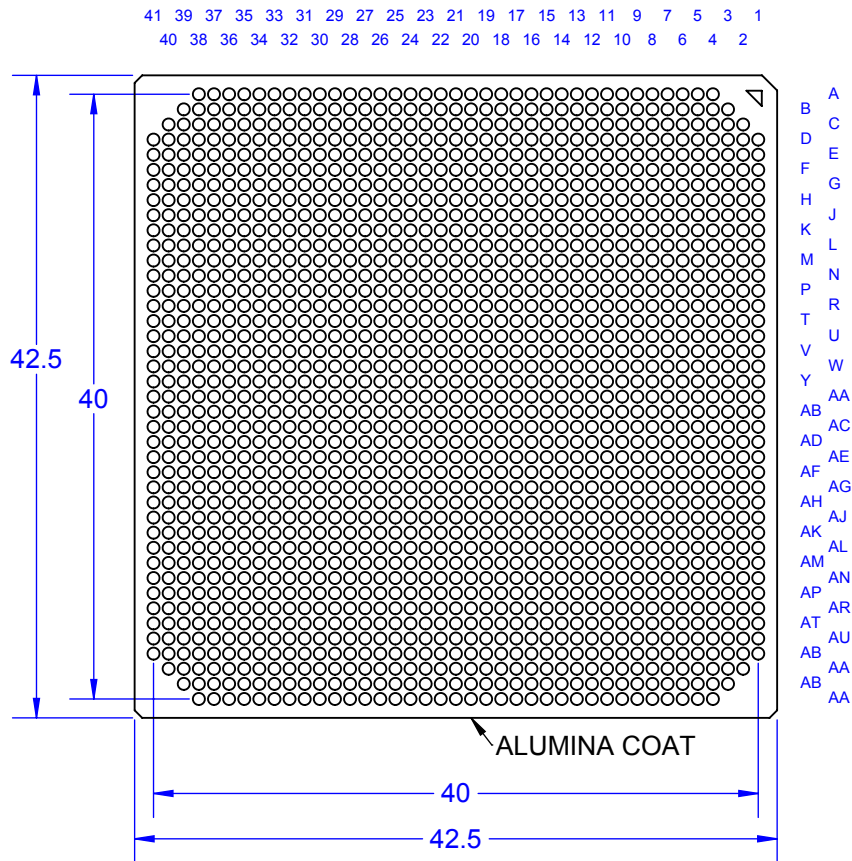
1. PLATING TOP AND BOTTOM
ELECTROLESS Ni 3.2~8.89µm (125~350 micro-inch).
ELECTROLESS Au 0.25µm (10 micro-inch) MAX

- Notes: (Unless Otherwise Specified).
 1) DIMENSIONS ARE IN mm.
 2) CLGA SHOWN WITHOUT COLUMNS.
 3) SHOWN WITHOUT HEAT SINK.
 4) PART NUMBER CLGA1657T1.0-DC417D.

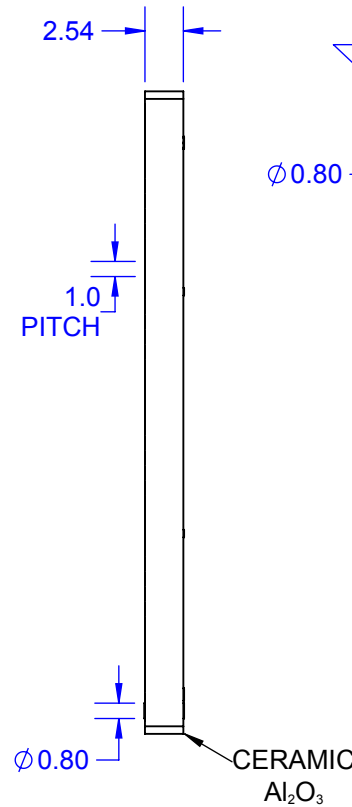
| PART NUMBER OPTIONS | | | |
|---------------------|-----------|------------|-----------|
| PART NUMBER | DUMMY DIE | SOLDER PIN | HEAT SINK |
| CLGA1657T1.0-DC417D | YES | NONE | NONE |

| | | | | | |
|-------------|----------|--|------|-------------|--------------|
| APPROVALS | DATE | TopLine® | | | |
| DRAWN T.Au | 10/05/14 | | | | |
| ENG M. Hart | 10/05/14 | TITLE CCGA1657T1.0-DC417D DUMMY COLUMN GRID ARRAY | | | |
| MFG | | SCALE | SIZE | DRAWING NO. | REV |
| QA | | 2:1 | A | 160191 | A |
| CUST | | DO NOT SCALE DRAWING | | | SHEET 1 OF 7 |
| REVISED | | | | | |

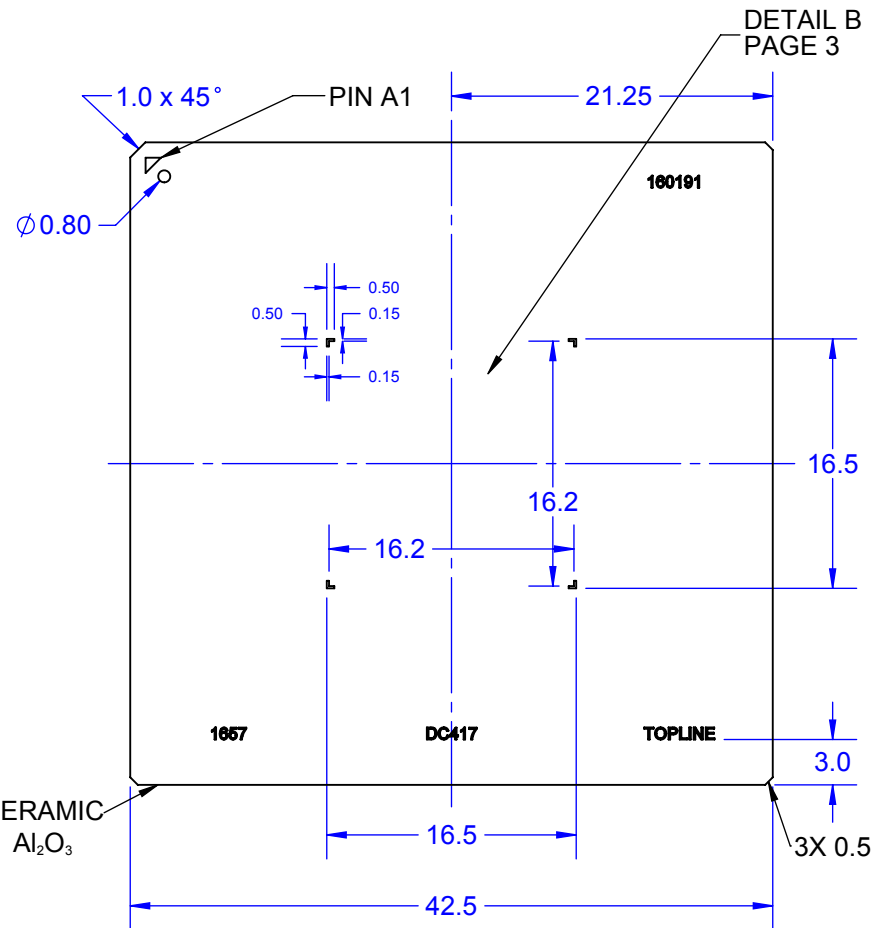
BOTTOM VIEW



SIDE VIEW



TOP VIEW



DETAIL B
PAGE 3

NOTES:

1. PLATING TOP AND BOTTOM
ELECTROLESS Ni 3.2~8.89µm (125~350 micro-inch).
ELECTROLESS Au 0.25µm (10 micro-inch) MAX

Notes: (Unless Otherwise Specified).

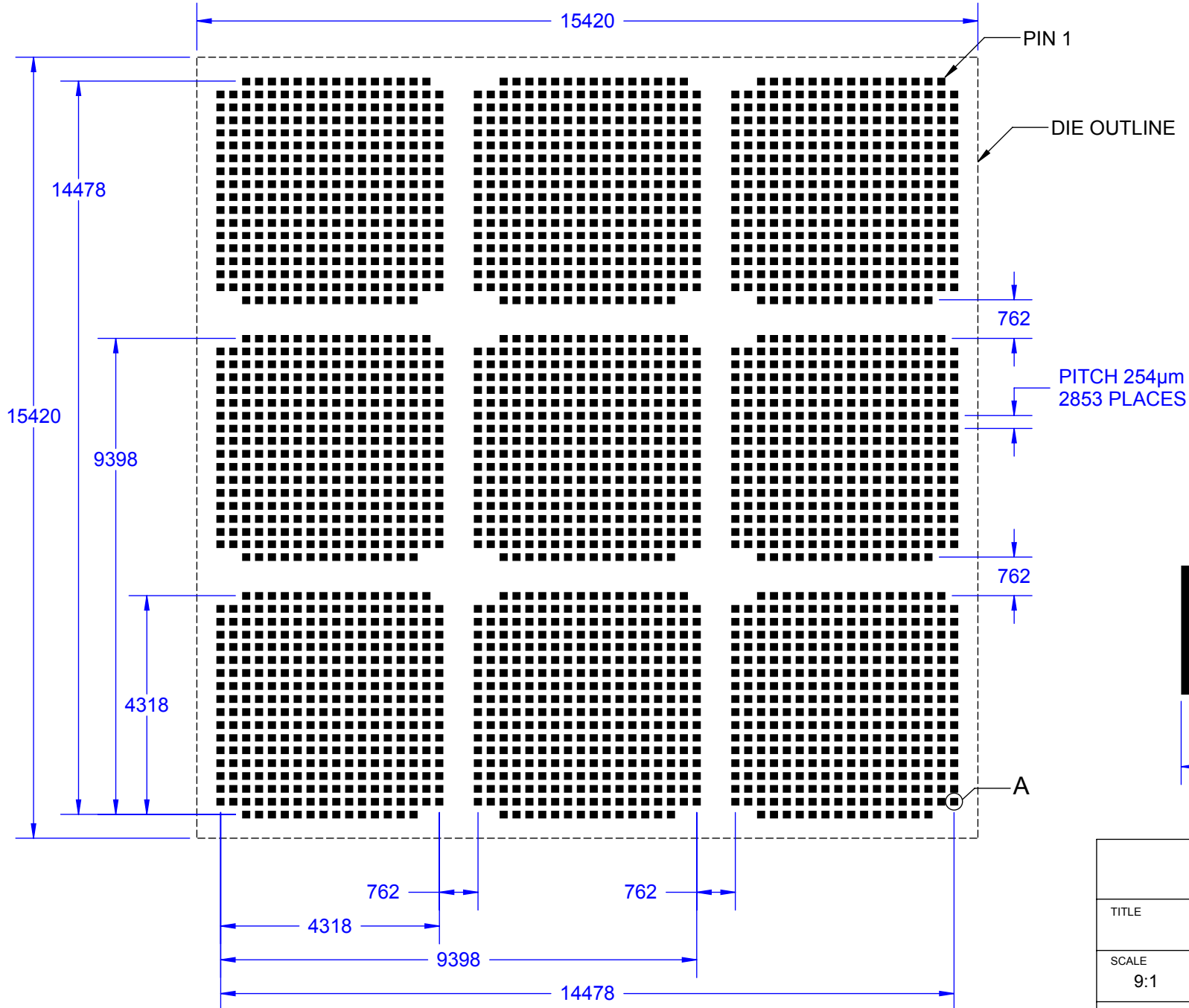
- 1) DIMENSIONS ARE IN mm.
- 2) CLGA SHOWN WITHOUT COLUMNS.
- 3) SHOWN WITHOUT HEAT SINK.
- 4) SHOWN WITHOUT DUMMY DIE.
- 5) PART NUMBER CLGA1657T1.0-DC417.

PART NUMBER OPTIONS

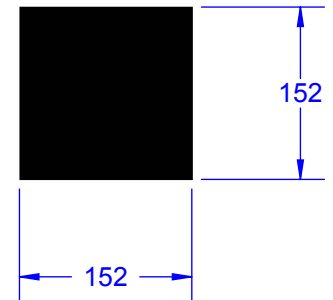
| PART NUMBER | DUMMY DIE | SOLDER PIN | HEAT SINK |
|--------------------|-----------|------------|-----------|
| CLGA1657T1.0-DC417 | NO | NONE | NONE |

| | | | | | |
|-------------|----------|---|--------|--------------------|--------------|
| APPROVALS | DATE | TopLine® | | | |
| DRAWN T.Au | 10/05/14 | | | | |
| ENG M. Hart | 10/05/14 | TITLE CCGA1657T1.0-DC417 DUMMY COLUMN GRID ARRAY | | | |
| MFG | | SCALE 2:1 | SIZE A | DRAWING NO. 160191 | REV A |
| QA | | DO NOT SCALE DRAWING | | | SHEET 2 OF 7 |
| CUST | | | | | |
| REVISED | | | | | |

DETAIL B PCB DIE PADS (TOP) Micron (μm)



DETAIL C PAD SIZE



| | | | |
|----------------------|------|--------------------------------|--------------|
| TopLine® | | | |
| TITLE | | FLIP CHIP DIE PAD 15 x 15mm | |
| SCALE | SIZE | DRAWING NO. | REV |
| 9:1 | A | 160191 | A |
| DO NOT SCALE DRAWING | | | SHEET 3 OF 7 |

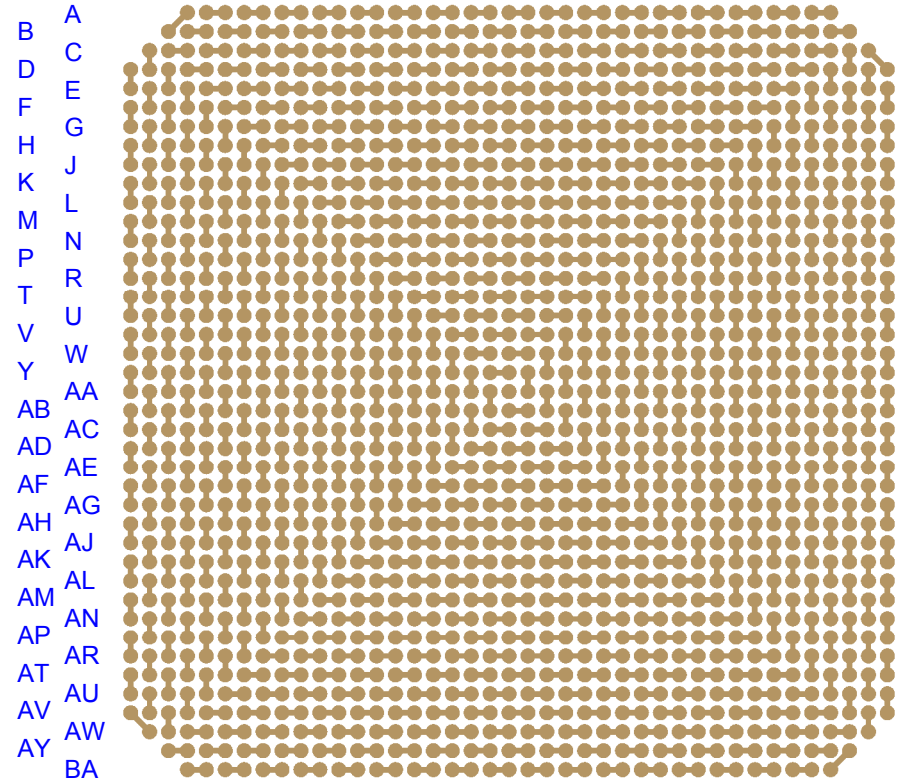
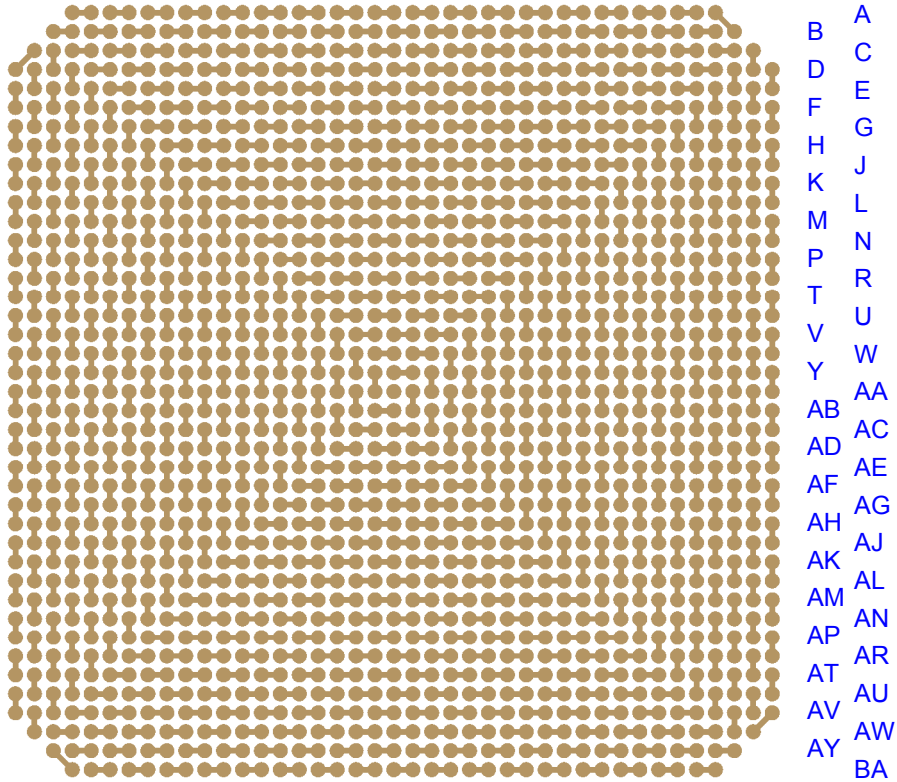
DAISY CHAIN PATTERN

COLUMN (BALL) VIEW

BOTTOM X-RAY VIEWED FROM TOP

41 39 37 35 33 31 29 27 25 23 21 19 17 15 13 11 9 7 5 3 1
 40 38 36 34 32 30 28 26 24 22 20 18 16 14 12 10 8 6 4 2

1 3 5 7 9 11 13 15 17 19 21 23 25 27 29 31 33 35 37 39 41
 2 4 6 8 10 12 14 16 18 20 22 24 26 28 30 32 34 36 38 40



TopLine®

TITLE CCGA1657T1.0-DC417
 DUMMY COLUMN GRID ARRAY

| | | | |
|-------|------|-------------|-----|
| SCALE | SIZE | DRAWING NO. | REV |
| 2.5:1 | A | 160191 | A |

DO NOT SCALE DRAWING

SHEET 4 OF 7

NET LIST DAISY CHAIN CONNECTION TABLE

| DC PAIR | |
|---------|-----|
| A4 | B3 |
| A5 | A6 |
| A7 | A8 |
| A9 | A10 |
| A11 | A12 |
| A13 | A14 |
| A15 | A16 |
| A17 | A18 |
| A19 | A20 |
| A21 | A22 |
| A23 | A24 |
| A25 | A26 |
| A27 | A28 |
| A29 | A30 |
| A31 | A32 |
| A33 | A34 |
| A35 | A36 |
| A37 | A38 |
| B4 | B5 |
| B6 | B7 |
| B8 | B9 |
| B10 | B11 |
| B12 | B13 |
| B14 | B15 |
| B16 | B17 |
| B18 | B19 |
| B20 | B21 |
| B22 | B23 |
| B24 | B25 |
| B26 | B27 |
| B28 | B29 |
| B30 | B31 |
| B32 | B33 |
| B34 | B35 |
| B36 | B37 |
| B38 | B39 |

| DC PAIR | |
|---------|-----|
| C2 | D2 |
| C3 | C4 |
| C5 | C6 |
| C7 | C8 |
| C9 | C10 |
| C11 | C12 |
| C13 | C14 |
| C15 | C16 |
| C17 | C18 |
| C19 | C20 |
| C21 | C22 |
| C23 | C24 |
| C25 | C26 |
| C27 | C28 |
| C29 | C30 |
| C31 | C32 |
| C33 | C34 |
| C35 | C36 |
| C37 | C38 |
| C39 | D39 |
| C40 | D41 |
| D1 | E1 |
| D3 | E3 |
| D4 | D5 |
| D6 | D7 |
| D8 | D9 |
| D10 | D11 |
| D12 | D13 |
| D14 | D15 |
| D16 | D17 |
| D18 | D19 |
| D20 | D21 |
| D22 | D23 |
| D24 | D25 |
| D26 | D27 |
| D28 | D29 |
| D30 | D31 |
| D32 | D33 |
| D34 | D35 |
| D36 | D37 |
| D38 | E38 |
| D40 | E40 |

| DC PAIR | |
|---------|-----|
| E2 | F2 |
| E4 | F4 |
| E5 | E6 |
| E7 | E8 |
| E9 | E10 |
| E11 | E12 |
| E13 | E14 |
| E15 | E16 |
| E17 | E18 |
| E19 | E20 |
| E21 | E22 |
| E23 | E24 |
| E25 | E26 |
| E27 | E28 |
| E29 | E30 |
| E31 | E32 |
| E33 | E34 |
| E35 | E36 |
| E37 | F37 |
| E39 | F39 |
| E41 | F41 |
| F1 | G1 |
| F3 | G3 |
| F5 | G5 |
| F6 | F7 |
| F8 | F9 |
| F10 | F11 |
| F12 | F13 |
| F14 | F15 |
| F16 | F17 |
| F18 | F19 |
| F20 | F21 |
| F22 | F23 |
| F24 | F25 |
| F26 | F27 |
| F28 | F29 |
| F30 | F31 |
| F32 | F33 |
| F34 | F35 |
| F36 | G36 |
| F38 | G38 |
| F40 | G40 |

| DC PAIR | |
|---------|-----|
| G2 | H2 |
| G4 | H4 |
| G6 | H6 |
| G7 | G8 |
| G9 | G10 |
| G11 | G12 |
| G13 | G14 |
| G15 | G16 |
| G17 | G18 |
| G19 | G20 |
| G21 | G22 |
| G23 | G24 |
| G25 | G26 |
| G27 | G28 |
| G29 | G30 |
| G31 | G32 |
| G33 | G34 |
| G35 | H35 |
| G37 | H37 |
| G39 | H39 |
| G41 | H41 |
| H1 | J1 |
| H3 | J3 |
| H5 | J5 |
| H7 | J7 |
| H8 | H9 |
| H10 | H11 |
| H12 | H13 |
| H14 | H15 |
| H16 | H17 |
| H18 | H19 |
| H20 | H21 |
| H22 | H23 |
| H24 | H25 |
| H26 | H27 |
| H28 | H29 |
| H30 | H31 |
| H32 | H33 |
| H34 | J34 |
| H36 | J36 |
| H38 | J38 |
| H40 | J40 |

| DC PAIR | |
|---------|-----|
| J2 | K2 |
| J4 | K4 |
| J6 | K6 |
| J8 | K8 |
| J9 | J10 |
| J11 | J12 |
| J13 | J14 |
| J15 | J16 |
| J17 | J18 |
| J19 | J20 |
| J21 | J22 |
| J23 | J24 |
| J25 | J26 |
| J27 | J28 |
| J29 | J30 |
| J31 | J32 |
| J33 | K33 |
| J35 | K35 |
| J37 | K37 |
| J39 | K39 |
| J41 | K41 |
| K1 | L1 |
| K3 | L3 |
| K5 | L5 |
| K7 | L7 |
| K9 | L9 |
| K10 | K11 |
| K12 | K13 |
| K14 | K15 |
| K16 | K17 |
| K18 | K19 |
| K20 | K21 |
| K22 | K23 |
| K24 | K25 |
| K26 | K27 |
| K28 | K29 |
| K30 | K31 |
| K32 | L32 |
| K34 | L34 |
| K36 | L36 |
| K38 | L38 |
| K40 | L40 |

| DC PAIR | |
|---------|-----|
| L2 | M2 |
| L4 | M4 |
| L6 | M6 |
| L8 | M8 |
| L10 | M10 |
| L11 | L12 |
| L13 | L14 |
| L15 | L16 |
| L17 | L18 |
| L19 | L20 |
| L21 | L22 |
| L23 | L24 |
| L25 | L26 |
| L27 | L28 |
| L29 | L30 |
| L31 | M31 |
| L33 | M33 |
| L35 | M35 |
| L37 | M37 |
| L39 | M39 |
| L41 | M41 |
| M1 | N1 |
| M3 | N3 |
| M5 | N5 |
| M7 | N7 |
| M9 | N9 |
| M11 | N11 |
| M12 | M13 |
| M14 | M15 |
| M16 | M17 |
| M18 | M19 |
| M20 | M21 |
| M22 | M23 |
| M24 | M25 |
| M26 | M27 |
| M28 | M29 |
| M30 | N30 |
| M32 | N32 |
| M34 | N34 |
| M36 | N36 |
| M38 | N38 |
| M40 | N40 |

| DC PAIR | |
|---------|-----|
| N2 | P2 |
| N4 | P4 |
| N6 | P6 |
| N8 | P8 |
| N10 | P10 |
| N12 | P12 |
| N13 | N14 |
| N15 | N16 |
| N17 | N18 |
| N19 | N20 |
| N21 | N22 |
| N23 | N24 |
| N25 | N26 |
| N27 | N28 |
| N29 | P29 |
| N31 | P31 |
| N33 | P33 |
| N35 | P35 |
| N37 | P37 |
| N39 | P39 |
| N41 | P41 |
| P1 | R1 |
| P3 | R3 |
| P5 | R5 |
| P7 | R7 |
| P9 | R9 |
| P11 | R11 |
| P13 | R13 |
| P14 | P15 |
| P16 | P17 |
| P18 | P19 |
| P20 | P21 |
| P22 | P23 |
| P24 | P25 |
| P26 | P27 |
| P28 | R28 |
| P30 | R30 |
| P32 | R32 |
| P34 | R34 |
| P36 | R36 |
| P38 | R38 |
| P40 | R40 |

CONTINUED NEXT PAGE

| | | | |
|---|-----------|-----------------------|--------------|
| TopLine® | | | |
| TITLE CCGA1657T1.0-DC417 DUMMY COLUMN GRID ARRAY | | | |
| SCALE NONE | SIZE A | DRAWING NO. 160191 | REV A |
| DO NOT SCALE DRAWING | | | SHEET 5 OF 7 |

NET LIST DAISY CHAIN CONNECTION TABLE

| DC PAIR | | DC PAIR | | DC PAIR | | DC PAIR | | DC PAIR | | DC PAIR | | DC PAIR | |
|---------|-----|---------|-----|---------|------|---------|------|---------|------|---------|------|---------|------|
| R2 | T2 | U2 | V2 | W2 | Y2 | AA2 | AB2 | AC2 | AD2 | AE2 | AF2 | AG2 | AH2 |
| R4 | T4 | U4 | V4 | W4 | Y4 | AA4 | AB4 | AC4 | AD4 | AE4 | AF4 | AG4 | AH4 |
| R6 | T6 | U6 | V6 | W6 | Y6 | AA6 | AB6 | AC6 | AD6 | AE6 | AF6 | AG6 | AH6 |
| R8 | T8 | U8 | V8 | W8 | Y8 | AA8 | AB8 | AC8 | AD8 | AE8 | AF8 | AG8 | AH8 |
| R10 | T10 | U10 | V10 | W10 | Y10 | AA10 | AB10 | AC10 | AD10 | AE10 | AF10 | AG10 | AH10 |
| R12 | T12 | U12 | V12 | W12 | Y12 | AA12 | AB12 | AC12 | AD12 | AE12 | AF12 | AG12 | AH12 |
| R14 | T14 | U14 | V14 | W14 | Y14 | AA14 | AB14 | AC14 | AD14 | AE14 | AF14 | AG14 | AH14 |
| R15 | R16 | U16 | V16 | W16 | Y16 | AA16 | AB16 | AC16 | AD16 | AE16 | AF16 | AG16 | AG17 |
| R17 | R18 | U17 | U18 | W18 | Y18 | AA18 | AB18 | AC18 | AD18 | AE18 | AE19 | AG18 | AG19 |
| R19 | R20 | U19 | U20 | W19 | W20 | AA20 | AB20 | AC20 | AC21 | AE20 | AE21 | AG20 | AG21 |
| R21 | R22 | U21 | U22 | W21 | W22 | AA23 | AB23 | AC22 | AC23 | AE22 | AE23 | AG22 | AG23 |
| R23 | R24 | U23 | U24 | W23 | Y23 | AA25 | AB25 | AC25 | AD25 | AE24 | AE25 | AG24 | AG25 |
| R25 | R26 | U25 | V25 | W25 | Y25 | AA27 | AB27 | AC27 | AD27 | AE27 | AF27 | AG26 | AG27 |
| R27 | T27 | U27 | V27 | W27 | Y27 | AA29 | AB29 | AC29 | AD29 | AE29 | AF29 | AG29 | AH29 |
| R29 | T29 | U29 | V29 | W29 | Y29 | AA31 | AB31 | AC31 | AD31 | AE31 | AF31 | AG31 | AH31 |
| R31 | T31 | U31 | V31 | W31 | Y31 | AA33 | AB33 | AC33 | AD33 | AE33 | AF33 | AG33 | AH33 |
| R33 | T33 | U33 | V33 | W33 | Y33 | AA35 | AB35 | AC35 | AD35 | AE35 | AF35 | AG35 | AH35 |
| R35 | T35 | U35 | V35 | W35 | Y35 | AA37 | AB37 | AC37 | AD37 | AE37 | AF37 | AG37 | AH37 |
| R37 | T37 | U37 | V37 | W37 | Y37 | AA39 | AB39 | AC39 | AD39 | AE39 | AF39 | AG39 | AH39 |
| R39 | T39 | U39 | V39 | W39 | Y39 | AA41 | AB41 | AC41 | AD41 | AE41 | AF41 | AG41 | AH41 |
| R41 | T41 | U41 | V41 | W41 | Y41 | AB1 | AC1 | AD1 | AE1 | AF1 | AG1 | AH1 | AJ1 |
| T1 | U1 | V1 | W1 | Y1 | AA1 | AB3 | AC3 | AD3 | AE3 | AF3 | AG3 | AH3 | AJ3 |
| T3 | U3 | V3 | W3 | Y3 | AA3 | AB5 | AC5 | AD5 | AE5 | AF5 | AG5 | AH5 | AJ5 |
| T5 | U5 | V5 | W5 | Y5 | AA5 | AB7 | AC7 | AD7 | AE7 | AF7 | AG7 | AH7 | AJ7 |
| T7 | U7 | V7 | W7 | Y7 | AA7 | AB9 | AC9 | AD9 | AE9 | AF9 | AG9 | AH9 | AJ9 |
| T9 | U9 | V9 | W9 | Y9 | AA9 | AB11 | AC11 | AD11 | AE11 | AF11 | AG11 | AH11 | AJ11 |
| T11 | U11 | V11 | W11 | Y11 | AA11 | AB13 | AC13 | AD13 | AE13 | AF13 | AG13 | AH13 | AJ13 |
| T13 | U13 | V13 | W13 | Y13 | AA13 | AB15 | AC15 | AD15 | AE15 | AF15 | AG15 | AH15 | AH16 |
| T15 | U15 | V15 | W15 | Y15 | AA15 | AB17 | AC17 | AD17 | AE17 | AF17 | AF18 | AH17 | AH18 |
| T16 | T17 | V17 | W17 | Y17 | AA17 | AB19 | AC19 | AD19 | AD20 | AF19 | AF20 | AH19 | AH20 |
| T18 | T19 | V18 | V19 | Y19 | AA19 | AB21 | AB22 | AD21 | AD22 | AF21 | AF22 | AH21 | AH22 |
| T20 | T21 | V20 | V21 | Y20 | Y21 | AB24 | AC24 | AD23 | AD24 | AF23 | AF24 | AH23 | AH24 |
| T22 | T23 | V22 | V23 | Y22 | AA22 | AB26 | AC26 | AD26 | AE26 | AF25 | AF26 | AH25 | AH26 |
| T24 | T25 | V24 | W24 | Y24 | AA24 | AB28 | AC28 | AD28 | AE28 | AF28 | AG28 | AH27 | AH28 |
| T26 | U26 | V26 | W26 | Y26 | AA26 | AB30 | AC30 | AD30 | AE30 | AF30 | AG30 | AH30 | AJ30 |
| T28 | U28 | V28 | W28 | Y28 | AA28 | AB32 | AC32 | AD32 | AE32 | AF32 | AG32 | AH32 | AJ32 |
| T30 | U30 | V30 | W30 | Y30 | AA30 | AB34 | AC34 | AD34 | AE34 | AF34 | AG34 | AH34 | AJ34 |
| T32 | U32 | V32 | W32 | Y32 | AA32 | AB36 | AC36 | AD36 | AE36 | AF36 | AG36 | AH36 | AJ36 |
| T34 | U34 | V34 | W34 | Y34 | AA34 | AB38 | AC38 | AD38 | AE38 | AF38 | AG38 | AH38 | AJ38 |
| T36 | U36 | V36 | W36 | Y36 | AA36 | AB40 | AC40 | AD40 | AE40 | AF40 | AG40 | AH40 | AJ40 |
| T38 | U38 | V38 | W38 | Y38 | AA38 | | | | | | | | |
| T40 | U40 | V40 | W40 | Y40 | AA40 | | | | | | | | |

AA21 NO CONNECTION

CONTINUED NEXT PAGE

| | | | |
|---|-----------|-----------------------|--------------|
| TopLine® | | | |
| TITLE CCGA1657T1.0-DC417 DUMMY COLUMN GRID ARRAY | | | |
| SCALE NONE | SIZE A | DRAWING NO. 160191 | REV A |
| DO NOT SCALE DRAWING | | | SHEET 6 OF 7 |

NET LIST DAISY CHAIN CONNECTION TABLE

| DC PAIR | |
|---------|------|
| AJ2 | AK2 |
| AJ4 | AK4 |
| AJ6 | AK6 |
| AJ8 | AK8 |
| AJ10 | AK10 |
| AJ12 | AK12 |
| AJ14 | AJ15 |
| AJ16 | AJ17 |
| AJ18 | AJ19 |
| AJ20 | AJ21 |
| AJ22 | AJ23 |
| AJ24 | AJ25 |
| AJ26 | AJ27 |
| AJ28 | AJ29 |
| AJ31 | AK31 |
| AJ33 | AK33 |
| AJ35 | AK35 |
| AJ37 | AK37 |
| AJ39 | AK39 |
| AJ41 | AK41 |
| AK1 | AL1 |
| AK3 | AL3 |
| AK5 | AL5 |
| AK7 | AL7 |
| AK9 | AL9 |
| AK11 | AL11 |
| AK13 | AK14 |
| AK15 | AK16 |
| AK17 | AK18 |
| AK19 | AK20 |
| AK21 | AK22 |
| AK23 | AK24 |
| AK25 | AK26 |
| AK27 | AK28 |
| AK29 | AK30 |
| AK32 | AL32 |
| AK34 | AL34 |
| AK36 | AL36 |
| AK38 | AL38 |
| AK40 | AL40 |

| DC PAIR | |
|---------|------|
| AL2 | AM2 |
| AL4 | AM4 |
| AL6 | AM6 |
| AL8 | AM8 |
| AL10 | AM10 |
| AL12 | AL13 |
| AL14 | AL15 |
| AL16 | AL17 |
| AL18 | AL19 |
| AL20 | AL21 |
| AL22 | AL23 |
| AL24 | AL25 |
| AL26 | AL27 |
| AL28 | AL29 |
| AL30 | AL31 |
| AL33 | AM33 |
| AL35 | AM35 |
| AL37 | AM37 |
| AL39 | AM39 |
| AL41 | AM41 |
| AM1 | AN1 |
| AM3 | AN3 |
| AM5 | AN5 |
| AM7 | AN7 |
| AM9 | AN9 |
| AM11 | AM12 |
| AM13 | AM14 |
| AM15 | AM16 |
| AM17 | AM18 |
| AM19 | AM20 |
| AM21 | AM22 |
| AM23 | AM24 |
| AM25 | AM26 |
| AM27 | AM28 |
| AM29 | AM30 |
| AM31 | AM32 |
| AM34 | AN34 |
| AM36 | AN36 |
| AM38 | AN38 |
| AM40 | AN40 |

| DC PAIR | |
|---------|------|
| AN2 | AP2 |
| AN4 | AP4 |
| AN6 | AP6 |
| AN8 | AP8 |
| AN10 | AN11 |
| AN12 | AN13 |
| AN14 | AN15 |
| AN16 | AN17 |
| AN18 | AN19 |
| AN20 | AN21 |
| AN22 | AN23 |
| AN24 | AN25 |
| AN26 | AN27 |
| AN28 | AN29 |
| AN30 | AN31 |
| AN32 | AN33 |
| AN35 | AP35 |
| AN37 | AP37 |
| AN39 | AP39 |
| AN41 | AP41 |
| AP1 | AR1 |
| AP3 | AR3 |
| AP5 | AR5 |
| AP7 | AR7 |
| AP9 | AP10 |
| AP11 | AP12 |
| AP13 | AP14 |
| AP15 | AP16 |
| AP17 | AP18 |
| AP19 | AP20 |
| AP21 | AP22 |
| AP23 | AP24 |
| AP25 | AP26 |
| AP27 | AP28 |
| AP29 | AP30 |
| AP31 | AP32 |
| AP33 | AP34 |
| AP36 | AR36 |
| AP38 | AR38 |
| AP40 | AR40 |

| DC PAIR | |
|---------|------|
| AR2 | AT2 |
| AR4 | AT4 |
| AR6 | AT6 |
| AR8 | AR9 |
| AR10 | AR11 |
| AR12 | AR13 |
| AR14 | AR15 |
| AR16 | AR17 |
| AR18 | AR19 |
| AR20 | AR21 |
| AR22 | AR23 |
| AR24 | AR25 |
| AR26 | AR27 |
| AR28 | AR29 |
| AR30 | AR31 |
| AR32 | AR33 |
| AR34 | AR35 |
| AR37 | AT37 |
| AR39 | AT39 |
| AR41 | AT41 |
| AT1 | AU1 |
| AT3 | AU3 |
| AT5 | AU5 |
| AT7 | AT8 |
| AT9 | AT10 |
| AT11 | AT12 |
| AT13 | AT14 |
| AT15 | AT16 |
| AT17 | AT18 |
| AT19 | AT20 |
| AT21 | AT22 |
| AT23 | AT24 |
| AT25 | AT26 |
| AT27 | AT28 |
| AT29 | AT30 |
| AT31 | AT32 |
| AT33 | AT34 |
| AT35 | AT36 |
| AT38 | AU38 |
| AT40 | AU40 |

| DC PAIR | |
|---------|------|
| AU2 | AV2 |
| AU4 | AV4 |
| AU6 | AU7 |
| AU8 | AU9 |
| AU10 | AU11 |
| AU12 | AU13 |
| AU14 | AU15 |
| AU16 | AU17 |
| AU18 | AU19 |
| AU20 | AU21 |
| AU22 | AU23 |
| AU24 | AU25 |
| AU26 | AU27 |
| AU28 | AU29 |
| AU30 | AU31 |
| AU32 | AU33 |
| AU34 | AU35 |
| AU36 | AU37 |
| AU39 | AV39 |
| AU41 | AV41 |
| AV1 | AW2 |
| AV3 | AW3 |
| AV5 | AV6 |
| AV7 | AV8 |
| AV9 | AV10 |
| AV11 | AV12 |
| AV13 | AV14 |
| AV15 | AV16 |
| AV17 | AV18 |
| AV19 | AV20 |
| AV21 | AV22 |
| AV23 | AV24 |
| AV25 | AV26 |
| AV27 | AV28 |
| AV29 | AV30 |
| AV31 | AV32 |
| AV33 | AV34 |
| AV35 | AV36 |
| AV37 | AV38 |
| AV40 | AW40 |

| DC PAIR | |
|---------|------|
| AW4 | AW5 |
| AW6 | AW7 |
| AW8 | AW9 |
| AW10 | AW11 |
| AW12 | AW13 |
| AW14 | AW15 |
| AW16 | AW17 |
| AW18 | AW19 |
| AW20 | AW21 |
| AW22 | AW23 |
| AW24 | AW25 |
| AW26 | AW27 |
| AW28 | AW29 |
| AW30 | AW31 |
| AW32 | AW33 |
| AW34 | AW35 |
| AW36 | AW37 |
| AW38 | AW39 |
| AY3 | AY4 |
| AY5 | AY6 |
| AY7 | AY8 |
| AY9 | AY10 |
| AY11 | AY12 |
| AY13 | AY14 |
| AY15 | AY16 |
| AY17 | AY18 |
| AY19 | AY20 |
| AY21 | AY22 |
| AY23 | AY24 |
| AY25 | AY26 |
| AY27 | AY28 |
| AY29 | AY30 |
| AY31 | AY32 |
| AY33 | AY34 |
| AY35 | AY36 |
| AY37 | AY38 |
| AY39 | BA38 |

| DC PAIR | |
|---------|------|
| BA4 | BA5 |
| BA6 | BA7 |
| BA8 | BA9 |
| BA10 | BA11 |
| BA12 | BA13 |
| BA14 | BA15 |
| BA16 | BA17 |
| BA18 | BA19 |
| BA20 | BA21 |
| BA22 | BA23 |
| BA24 | BA25 |
| BA26 | BA27 |
| BA28 | BA29 |
| BA30 | BA31 |
| BA32 | BA33 |
| BA34 | BA35 |
| BA36 | BA37 |

| | | | |
|---|-----------|-----------------------|--------------|
| TopLine® | | | |
| TITLE CCGA1657T1.0-DC417 DUMMY COLUMN GRID ARRAY | | | |
| SCALE NONE | SIZE A | DRAWING NO. 160191 | REV A |
| DO NOT SCALE DRAWING | | | SHEET 7 OF 7 |