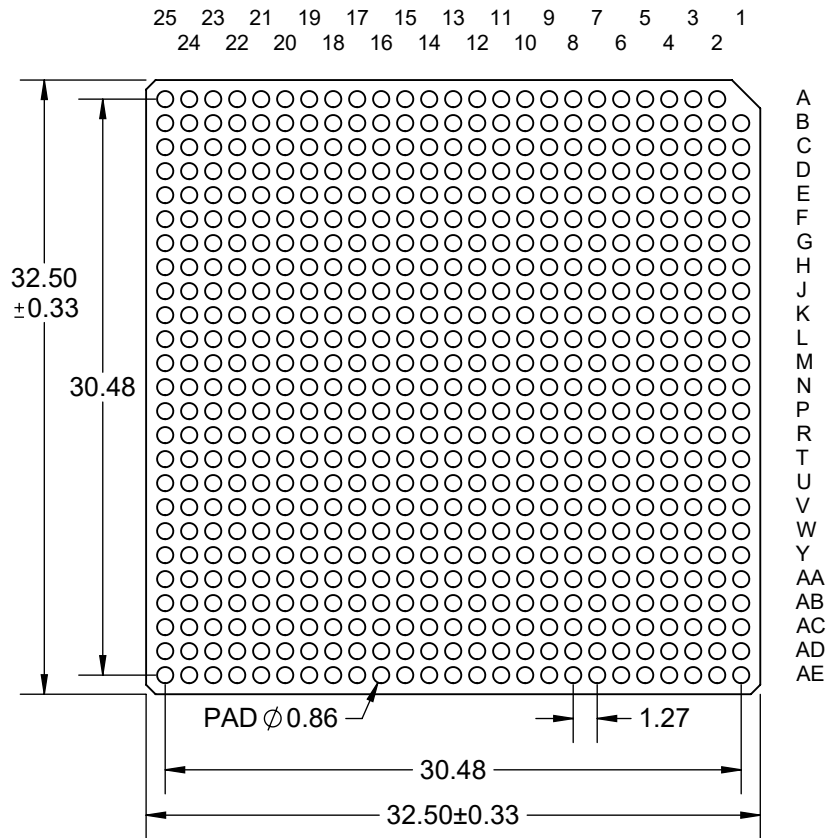
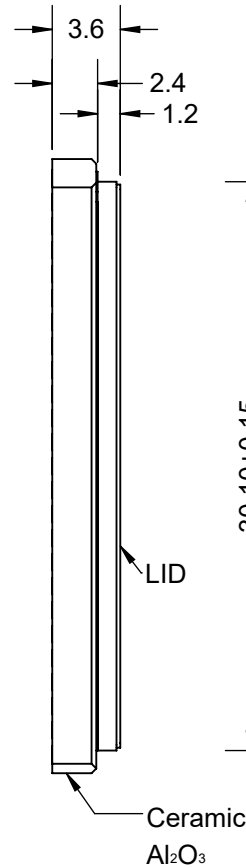


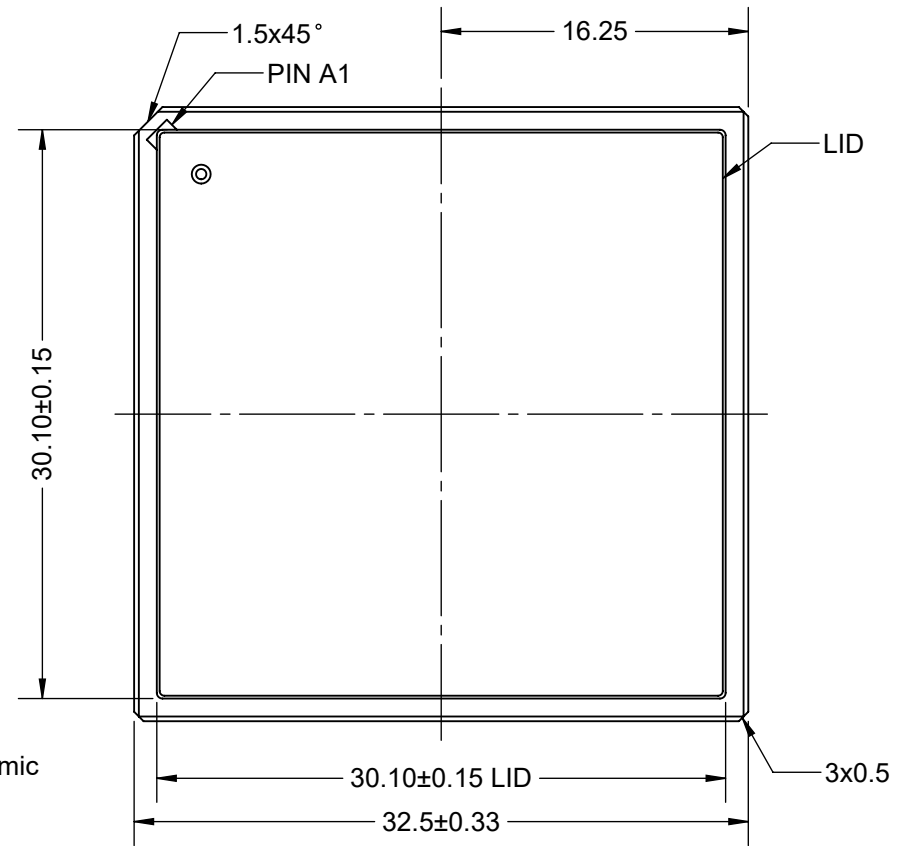
BOTTOM VIEW



SIDE VIEW



TOP VIEW



PLATING NOTES:

Ni 2.54um MIN (100 micro-inch MIN)

Au 0.03~0.20um (2 ~ 8 micro-inch)

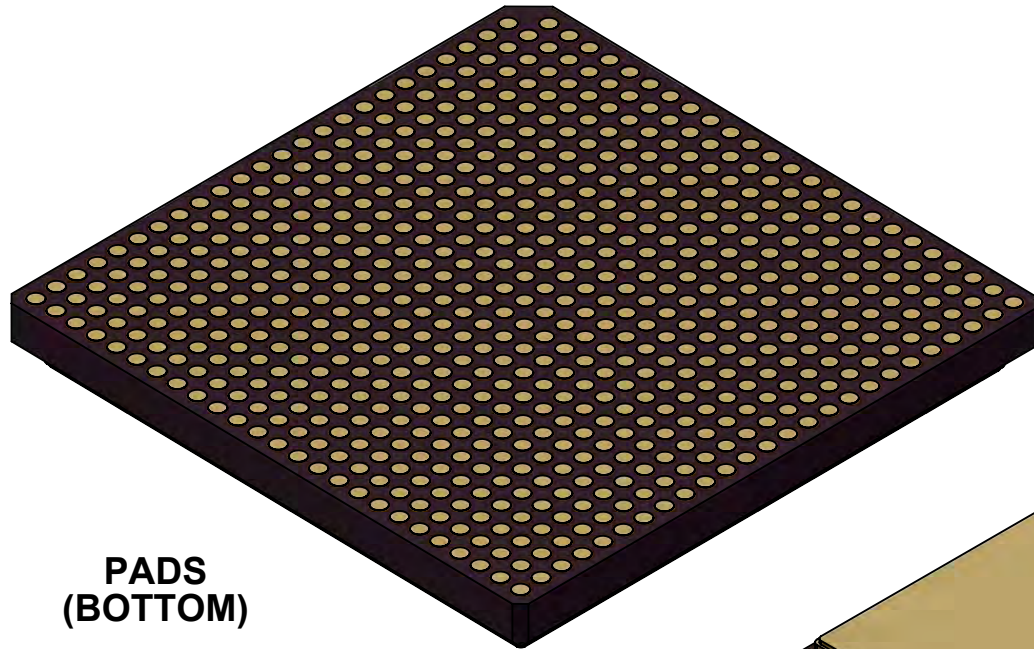
Notes: (Unless Otherwise Specified).

- 1) DIMENSIONS ARE IN mm.
- 2) SHOWN WITHOUT COLUMNS.
- 3) SHOWN WITH LID COVER ATTACHED.

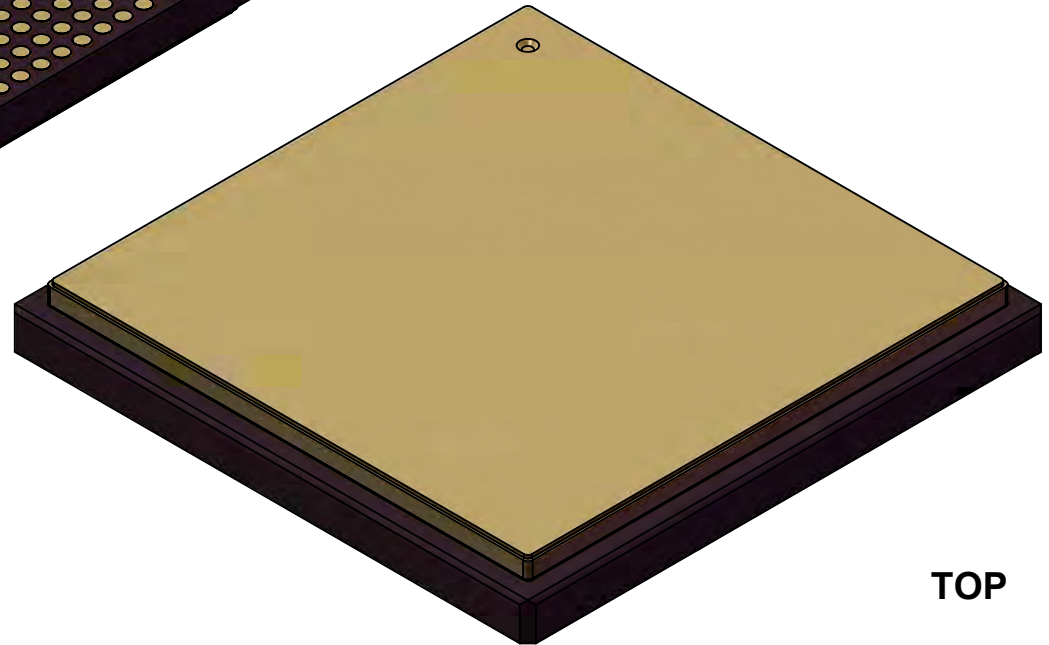
| PART NUMBER OPTIONS | | | |
|-----------------------|-----------|------------|-----------|
| PART NUMBER | DUMMY DIE | SOLDER PIN | LID |
| CLGA624T1.27-FC VAR C | OPTIONAL | NONE | SEAM SEAL |

| | | | | |
|-------------|-----------|---------------------------------------|--------|--------------------|
| APPROVALS | DATE | TopLine® | | |
| DRAWN T.Au | 9/11/2024 | | | |
| ENG M. Hart | 9/11/2024 | TITLE CLGA624T1.27-FC LAND GRID ARRAY | | |
| MFG | | SCALE 2.5:1 | SIZE A | DRAWING NO. 160052 |
| QA | | | | REV A |
| CUST | | | | |
| REVISED | | DO NOT SCALE DRAWING | | SHEET 1 OF 2 |

MODEL
CLGA624T1.27-FC VAR C
LID/COVER ATTACHED



PADS
(BOTTOM)



TOP

| | | | |
|----------------------------|------|------------------------------------|--------------|
| TopLine[®] | | | |
| TITLE | | CLGA624T1.27-FC LAND GRID ARRAY | |
| SCALE | SIZE | DRAWING NO. | REV |
| 3:1 | A | 160052 | A |
| DO NOT SCALE DRAWING | | | SHEET 2 OF 2 |