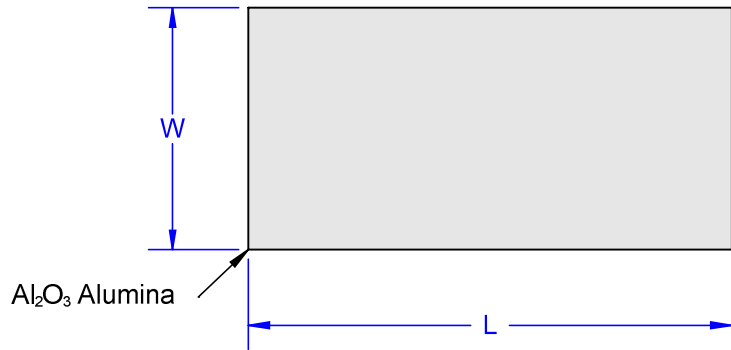
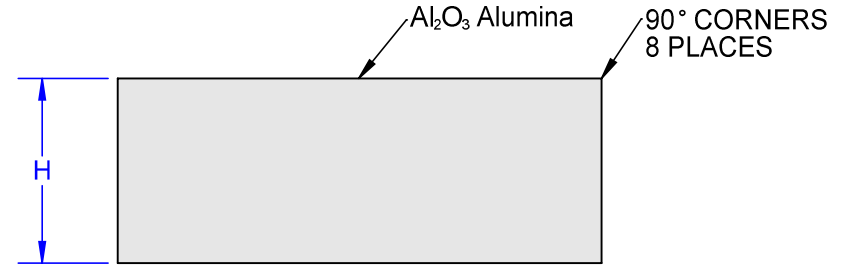


WHITE AND BLACK CHIPS WITHOUT METALLIZATION

TOP VIEW



SIDE VIEW



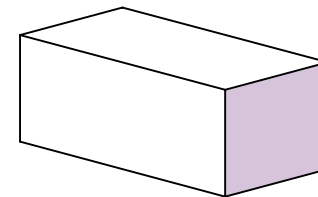
NOTES:

1. DIMENSION IN mm EXCEPT AS NOTED.
2. METALLIZATION: NONE.
3. Pb-FREE AND HALOGEN FREE.
4. COLORS: WHITE and BLACK.

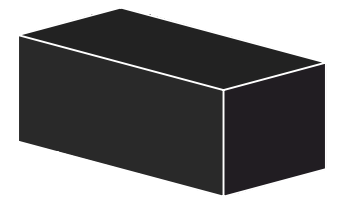
PART NUMBER TABLE

SIZE CODE	COLOR	PART SERIES	SIZE (MM)				TOLERANCE	OUTLINE DRAWING
			L LENGTH	W WIDTH	H HEIGHT			
1206	WHITE	SCC1206P7A-WH-1.2	3.2	1.6	1.2	±0.10	120615	
1206	BLACK	SCC1206P7A-BK-1.2	3.2	1.6	1.2	±0.10	120618	

MODELS



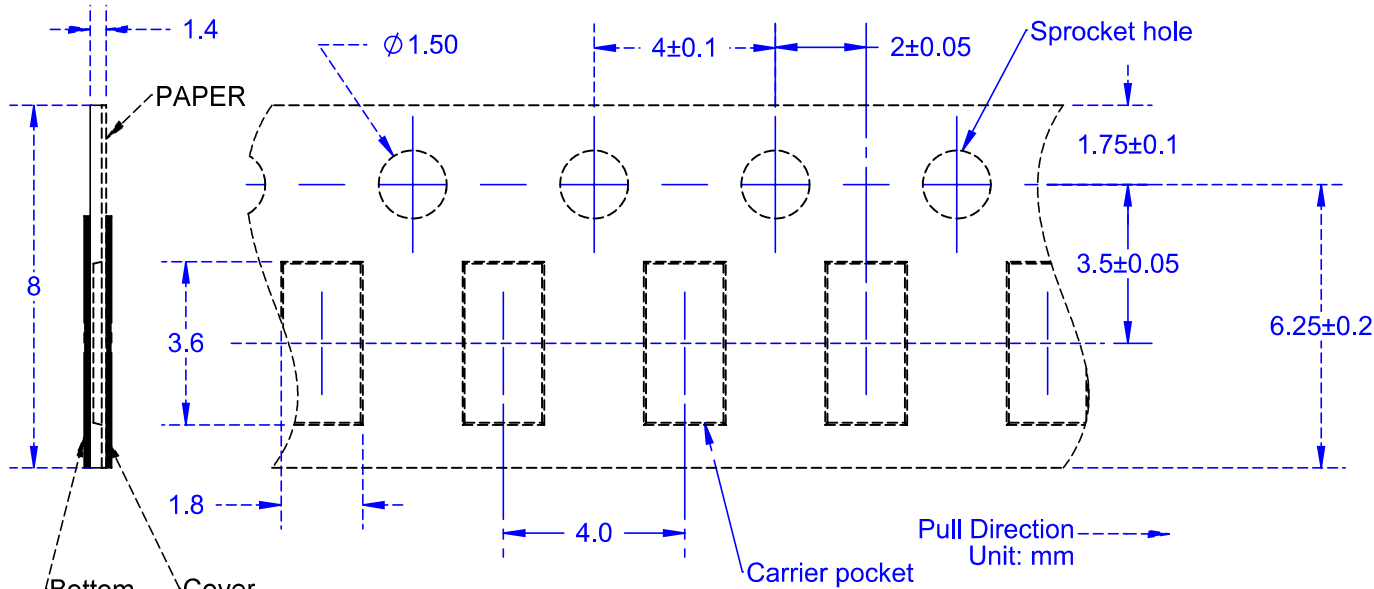
WHITE



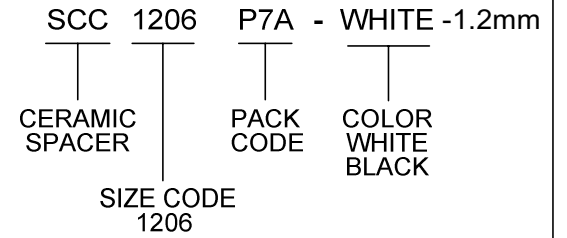
BLACK

APPROVALS	DATE	TopLine®			
DRAWN T. Au	07/12/18				
ENG M. Hart	07/12/18	TITLE SCC1206 HIGH PROFILE 1.2 mm UNTERMINATED CHIPS			
MFG		SCALE 20:1	SIZE A	DRAWING NO. 120615	REV A
QA		DO NOT SCALE DRAWING			SHEET 1 OF 2
CUST					
REVISED					

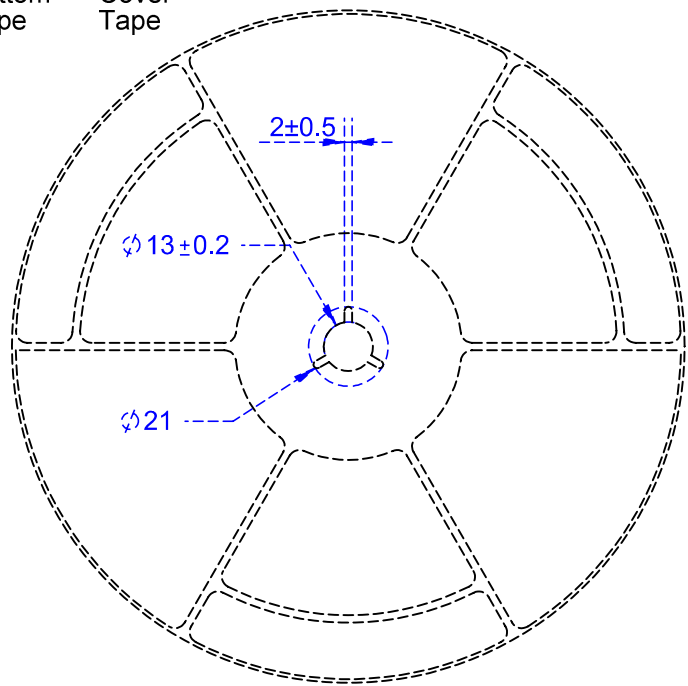
W8P4 CARRIER TAPE DIMENSION



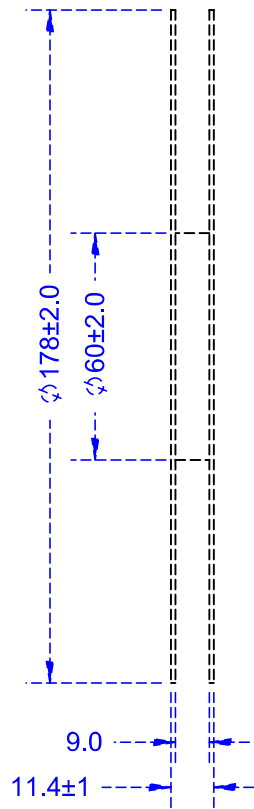
PART NUMBER SYSTEM



PACK CODE			
CODE	QTY	PACKAGE	TAPE
P7A	4,000	REEL	PAPER
P4A	1,000	REEL	PAPER



REEL DIMENSIONS



APPROVALS	DATE	TopLine®			
DRAWN T. Au	08/12/14	TITLE SCC1206 HIGH PROFILE 1.2mm UNTERMINATED CHIPS			
ENG M. Hart	08/12/14				
MFG		SCALE NONE	SIZE A	DRAWING NO. 120615	REV A
QA					
CUST					
REVISED		DO NOT SCALE DRAWING			SHEET 2 OF 2