

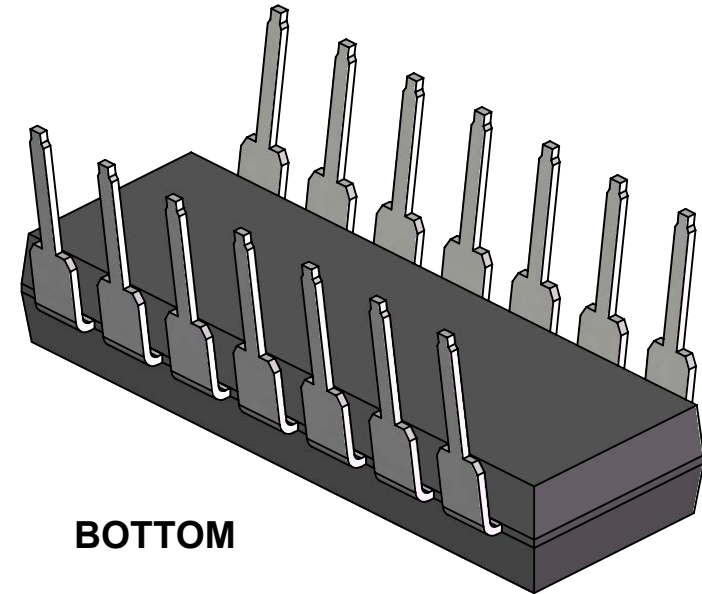
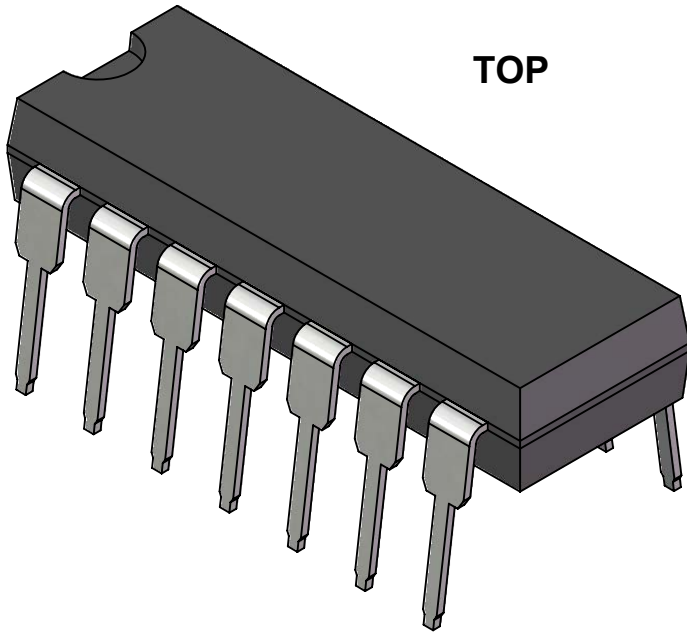
NOTES: (UNLESS OTHERWISE STATED)

1. DIMENSIONS INCH (NOMINAL).
2. DIMENSIONS DO NOT INCLUDE MOLD FLASH OR PROTUSIONS.
3. JEDEC OUTLINE MS-001-AA.

APPROVALS	DATE	<b>TopLine®</b>			
DRAWN T.Au	5/14/2023				
ENG M. Hart	5/14/2023	TITLE DIP14 300MIL PDIP BODY			
MFG		SCALE	SIZE	DRAWING NO.	REV
QA		5:1	A	171414	A
CUST		DO NOT SCALE DRAWING			SHEET 1 OF 4
REVISED					

# MODELS

TOP



BOTTOM

**TopLine<sup>®</sup>**

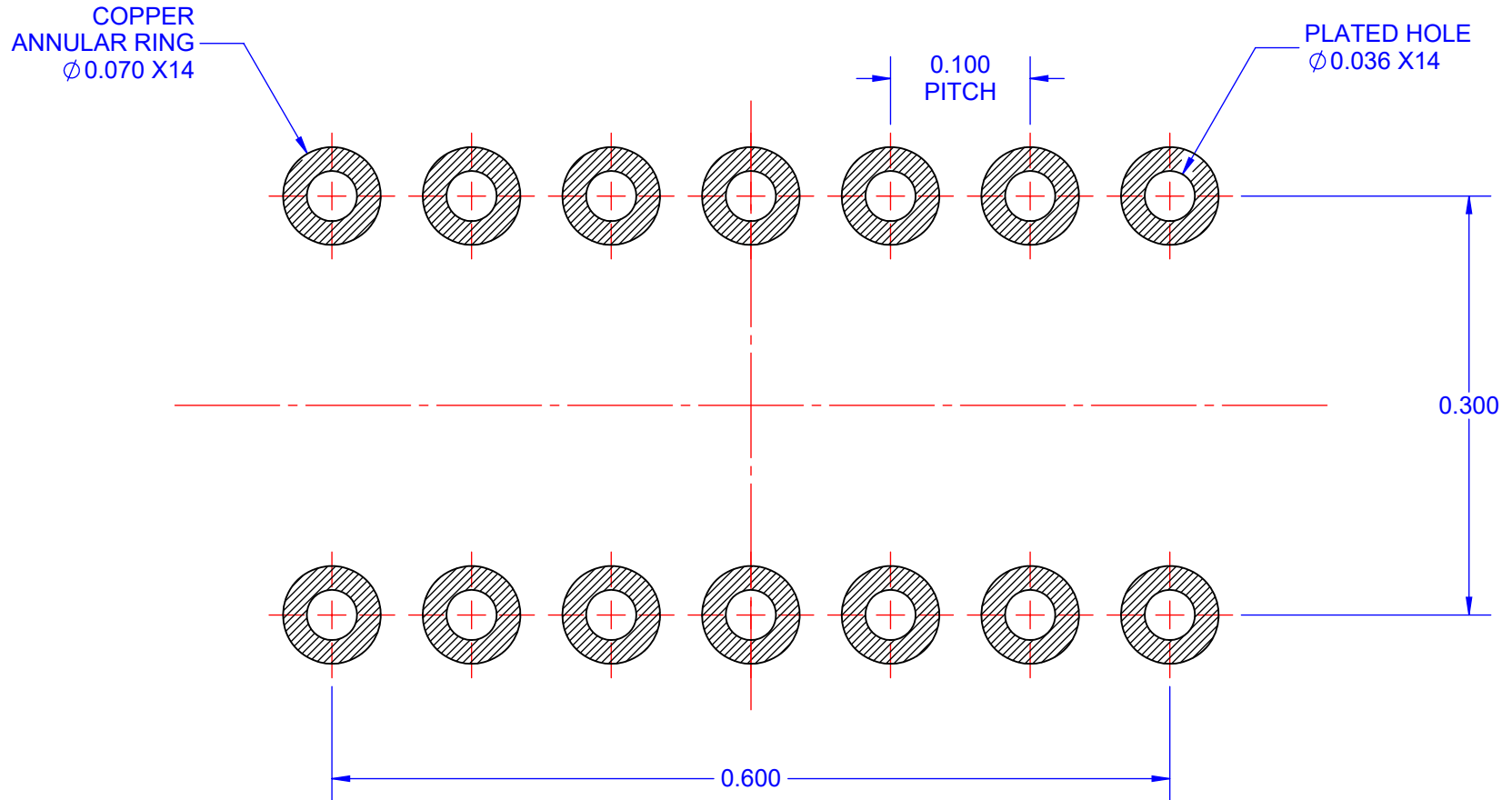
TITLE  
DIP-14  
300MIL PDIP BODY

SCALE 5:1	SIZE A	DRAWING NO. 171414	REV A
--------------	-----------	-----------------------	----------

DO NOT SCALE DRAWING

SHEET 2 OF 4

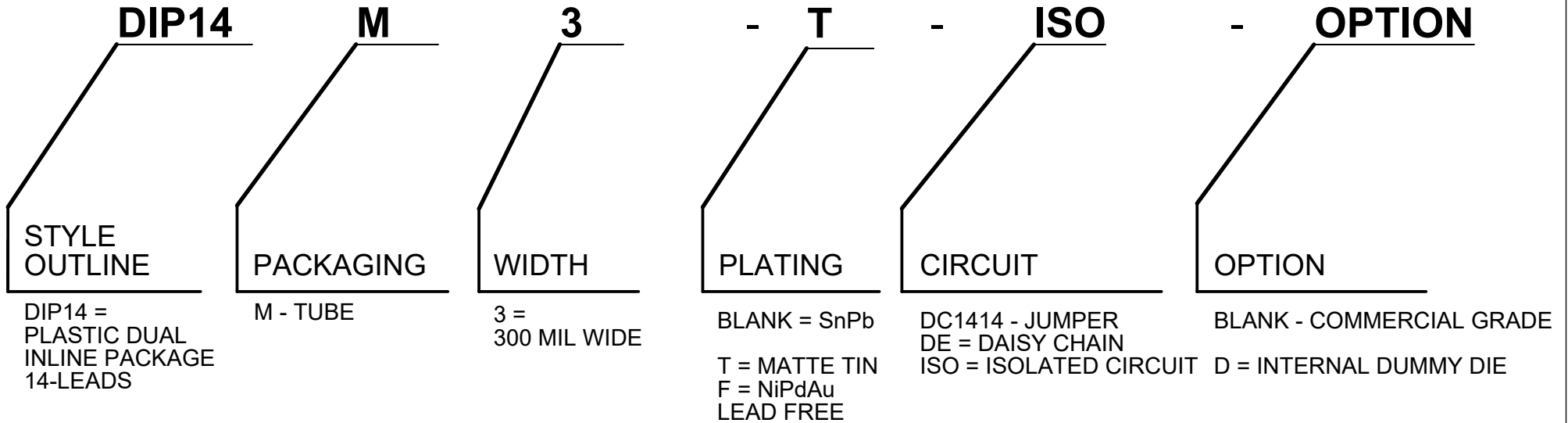
# PCB LAND PATTERN PLATED THROUGH HOLES



NOTES:  
1. DIMENSIONS INCH.

<b>TopLine<sup>®</sup></b>			
TITLE		DIP14 300MIL PDIP BODY	
SCALE	SIZE	DRAWING NO.	REV
8:1	A	171414	A
DO NOT SCALE DRAWING			SHEET 3 OF 4

## PART NUMBERING SYSTEM



PART NUMBER	SHORTED PINS	NOTES	RoHS Pb-FREE	DIE
DIP14M3-T-DC1414	1~14, 2~13, 3~12, 4~11, 5~10, 6~9, 7~8	7-WIRES	YES	NO
DIP14M3-F-DE	1~2, 3~4, 5~6, 7~8, 9~10, 11~12, 13~14	7-WIRES	YES	NO
DIP14M3-T-DE	1~2, 3~4, 5~6, 7~8, 9~10, 11~12, 13~14	7-WIRES	YES	NO
DIP14M3-T-D	N/A	DUMMY	YES	YES
DIP14M3-T-ISO	NONE	FULLY ISOLATED	YES	NO
DIP14M3-F-ISO	NONE	FULLY ISOLATED	YES	NO

<b>TopLine®</b>			
TITLE DIP14 300MIL PDIP BODY			
SCALE NONE	SIZE A	DRAWING NO. 171414	REV A
DO NOT SCALE DRAWING			SHEET 4 OF 4