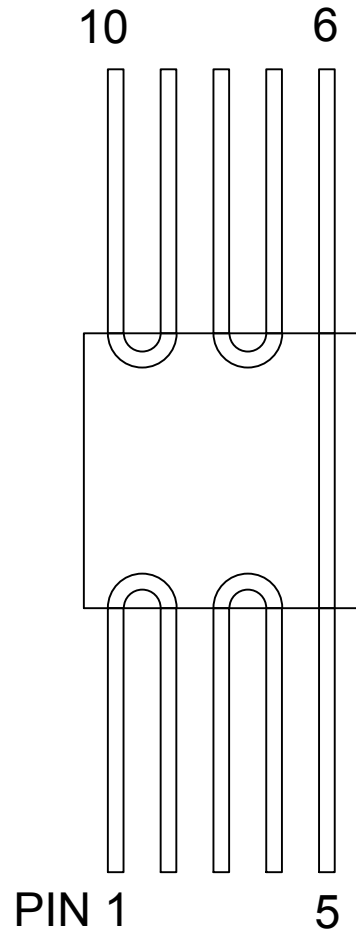


# DAISY CHAIN TOP VIEW (INTERNAL CONNECTIONS)



DAISY CHAIN NET LIST	
PINS	PINS
1 ~ 2	7 ~ 8
3 ~ 4	9 ~ 10
5 ~ 6	

**NOTES:**

1. DAISY CHAIN WIRE BONDED TO INTERNAL PADS.
2. SEE NET LIST FOR CONNECTIONS BETWEEN PINS.
3. DRAWING NOT TO SCALE.

<b>TopLine<sup>®</sup></b>			
TITLE		FP10 DAISY CHAIN PIN CONNECTIONS	
SCALE	SIZE A	DRAWING NO. 121001	REV A
DO NOT SCALE DRAWING			SHEET 3 OF 15