

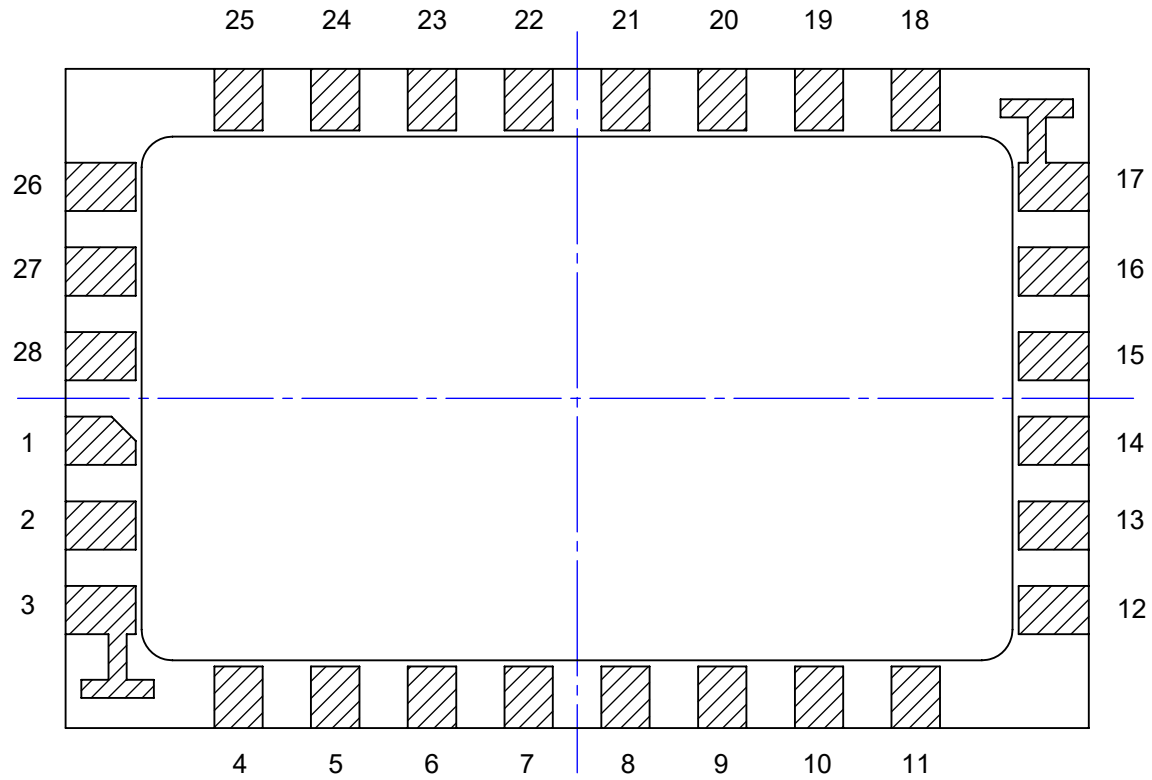
MODEL

Notes: (Unless Otherwise Specified).

1. DIMENSIONS IN MM.
2. ALL EXPOSED METAL AND METALLIZED AREA SHALL BE GOLD PLATED.
3. 60 MICRO INCH MIN. THK. OVER NICKEL PLATED.
4. SEAL AREA AND DIE ATTACH AREA SHALL BE ISOLATED FROM ANY LEADS. (ZERO GROUND)

APPROVALS	DATE	<b>TopLine®</b>			
DRAWN T. Au	4/4/2022				
ENG M. Hart	4/4/2022	TITLE CSOP28G-N170x283 OPEN CERAMIC PACKAGE			
MFG		SCALE	SIZE	DRAWING NO.	REV
QA		6:1	A	162802	A
CUST		DO NOT SCALE DRAWING			SHEET 1 OF 5
REVISED					

# BONDING PADS



**TopLine®**

TITLE CSOP28G-N170x283  
OPEN CERAMIC PACKAGE

SCALE 16:1	SIZE A	DRAWING NO. 162802	REV A
---------------	-----------	-----------------------	----------

DO NOT SCALE DRAWING

SHEET 2 OF 5

**DIMENSION  
CAVITY AND SEAL RING**

<b>DESCRIPTION</b>	<b>REF.</b>	<b>DIMENSION INCH</b>	<b>DIMENSION MM</b>
DIE CAVITY	DIE	0.161 x 0.283	4.33 x 7.20
BOND O.D.	BOND	0.215 x 0.333	5.45 x 8.46
SEAL RING I.D.	SR I.D.	0.215 x 0.333	5.45 x 8.46
SEAL RING O.D.	SR O.D.	0.285 x 0.404	7.25 x 10.25

**TopLine<sup>®</sup>**

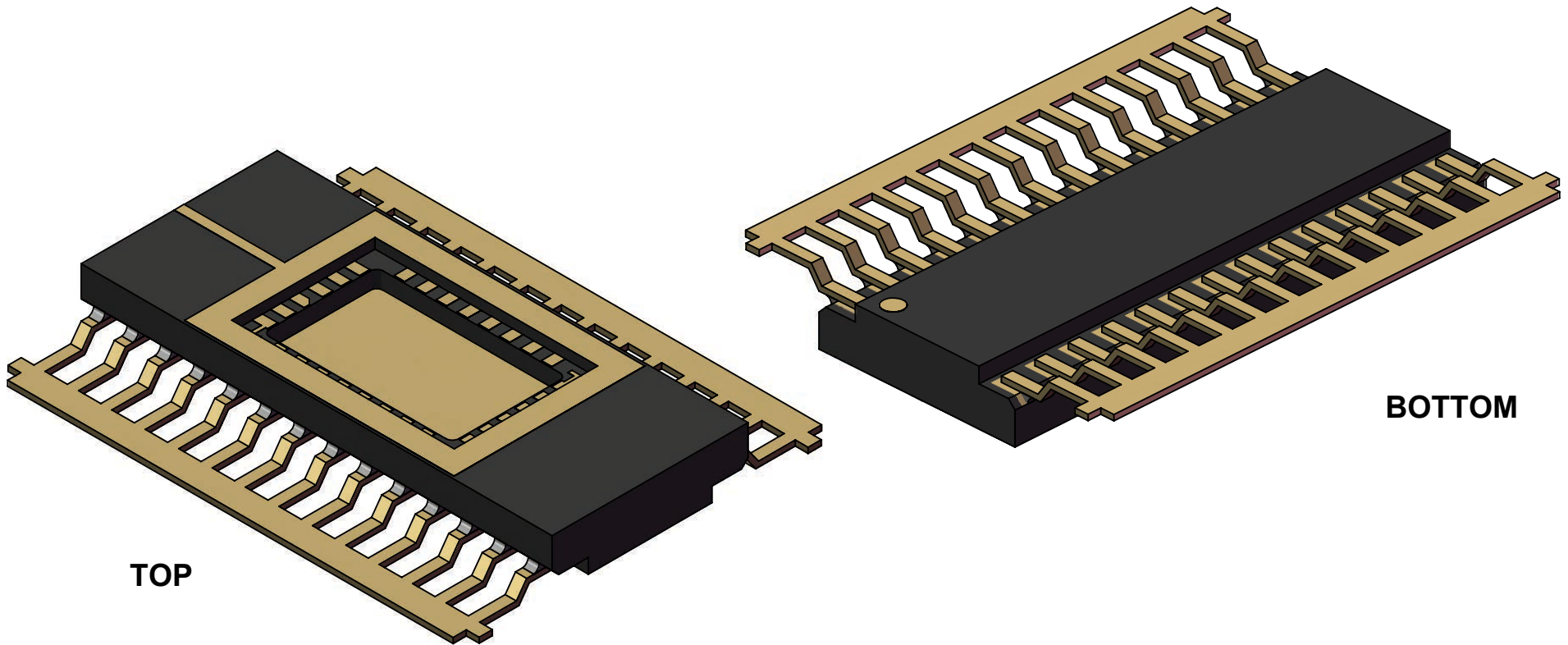
TITLE      CSOP28G-N170x283  
OPEN CERAMIC PACKAGE

SCALE NONE	SIZE A	DRAWING NO. 162802	REV A
---------------	-----------	-----------------------	----------

DO NOT SCALE DRAWING

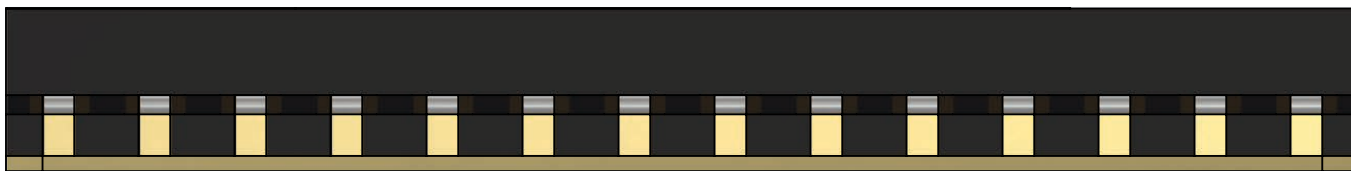
SHEET 3 OF 5

**MODELS  
OPEN CAVITY**



**TOP**

**BOTTOM**



**EDGE**

**TopLine®**

TITLE CSOP28G-N170x283  
OPEN CERAMIC PACKAGE

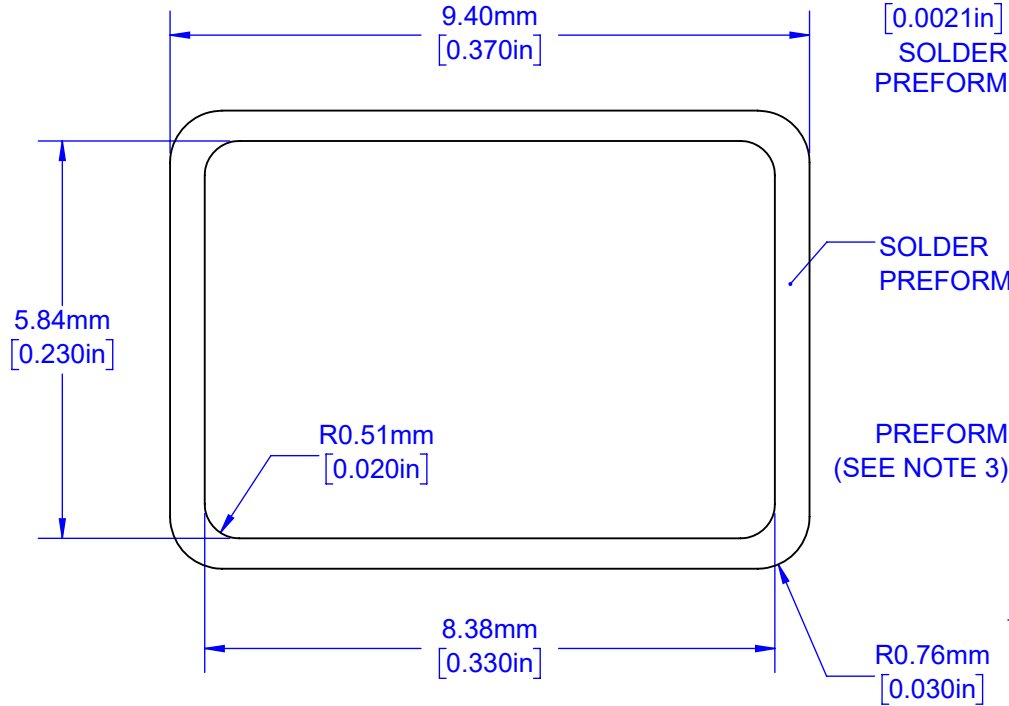
SCALE 6:1	SIZE A	DRAWING NO. 162802	REV A
--------------	-----------	-----------------------	----------

DO NOT SCALE DRAWING

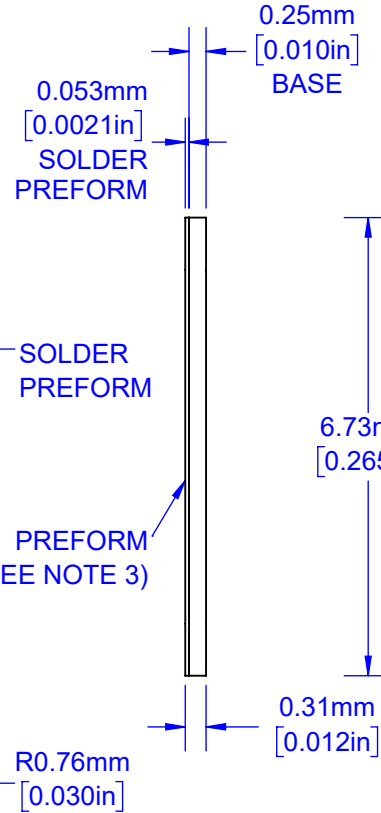
SHEET 4 OF 5

# COMBO LID OPTIONAL

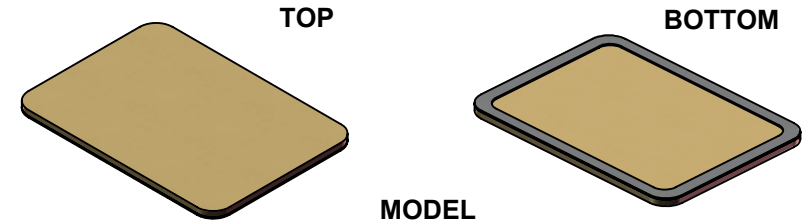
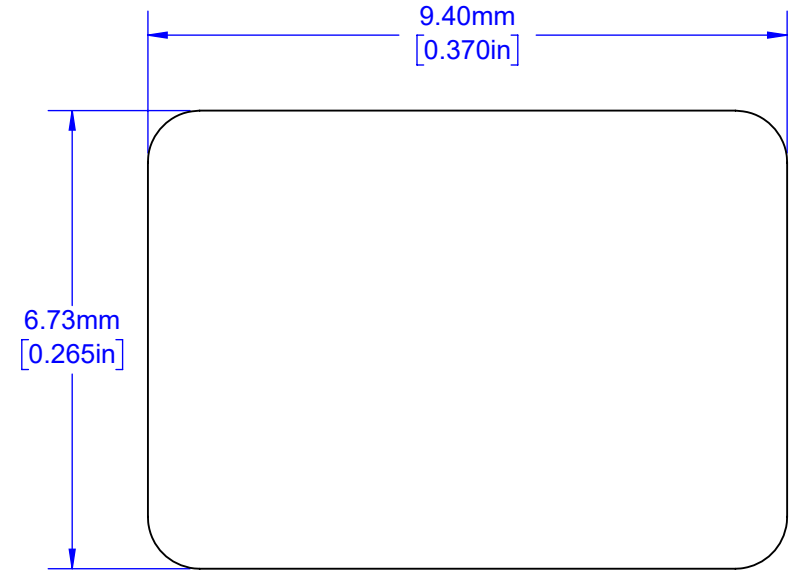
**BOTTOM**



**SIDE**



**TOP**



**NOTES:**

1. BASE MATERIAL: KOVAR or ALLOY 42.
2. PLATING: Ni 50~350 MICRO-INCH PER SIDE.  
Au 25 MICRO-INCH MIN PER SIDE.
3. SOLDER PREFORM: Au 80% ±1.0 Sn 20%.
4. FLATNESS 1.0MIL (25µm) MAXIMUM PER 0.5-inch (12.7mm).

REF: HR-C-2191

<b>TopLine®</b>			
TITLE		CL-370x265-A COMBO LID	
SCALE	SIZE	DRAWING NO.	REV
9:1	A	163701	A
DO NOT SCALE DRAWING			SHEET 5 OF 5