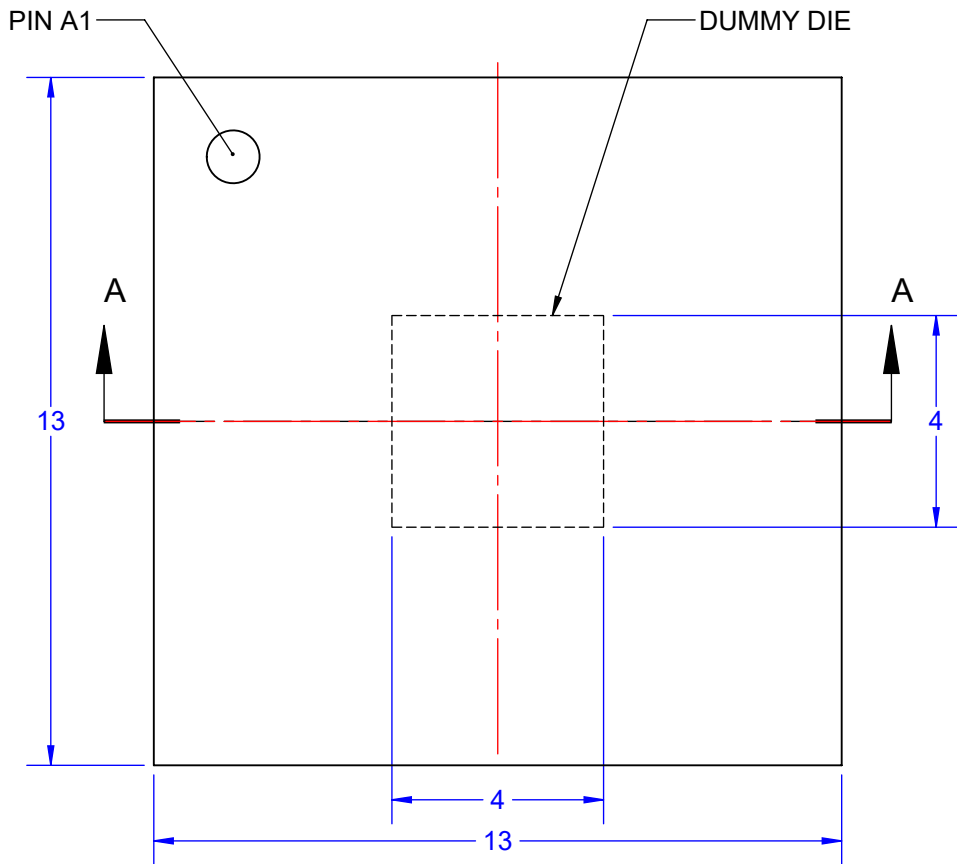
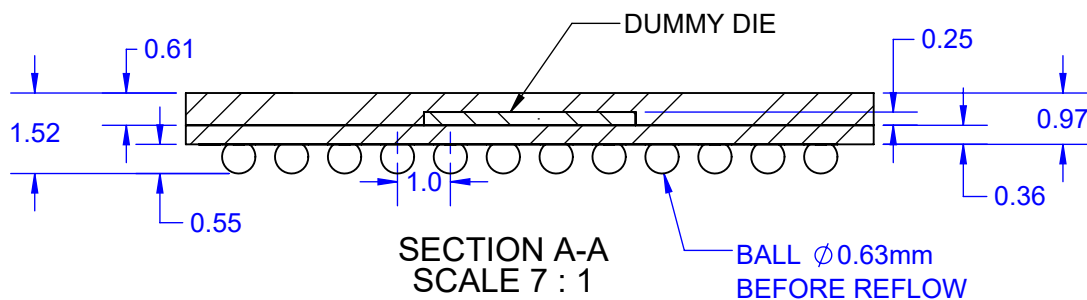
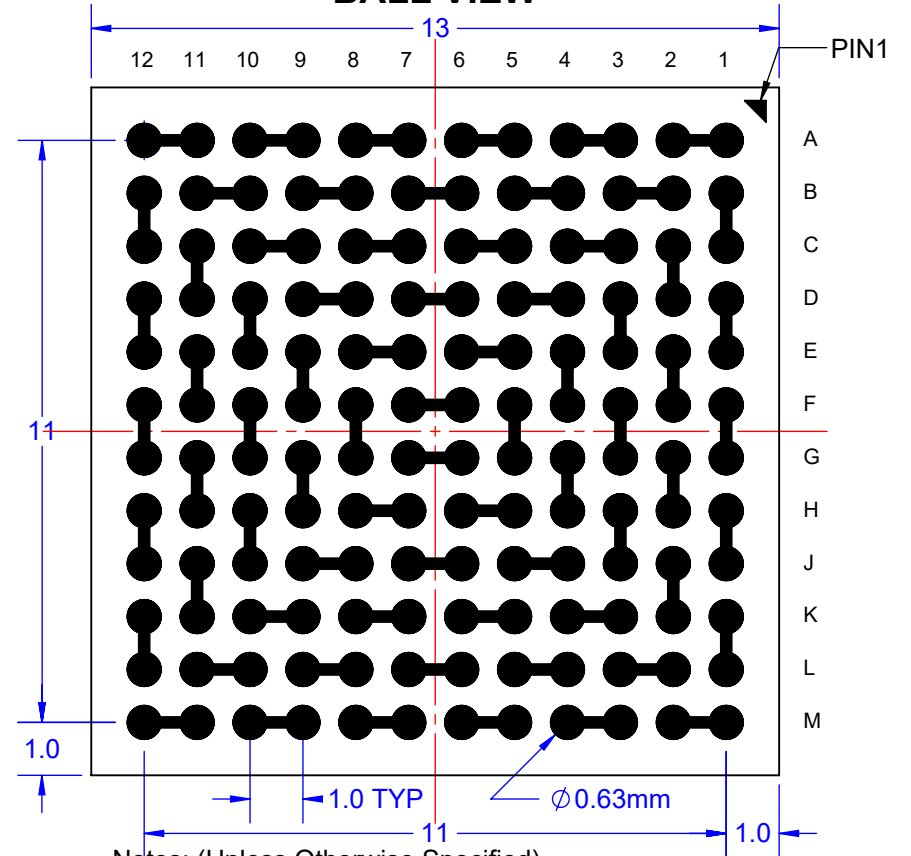


TOP VIEW



BALL VIEW



Notes: (Unless Otherwise Specified).

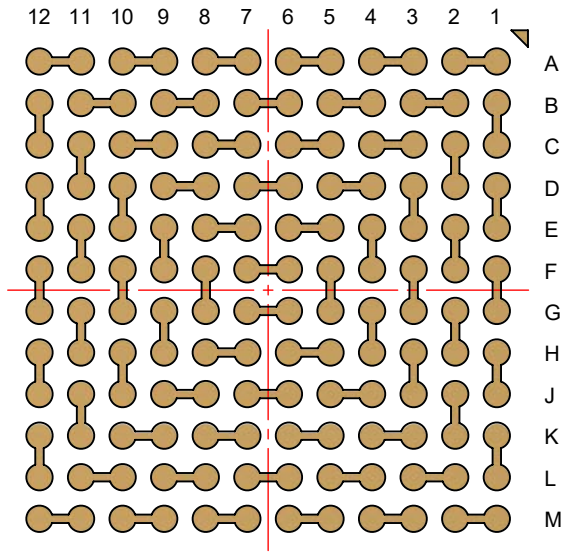
1. DIMENSIONS: MM.
2. SOLDER BALL ALLOY: SEE PART NUMBER TABLE.
3. BALL DIAMETER (BEFORE REFLOW): 0.635mm (25 mil).
4. SOLDER MASK DEFINED PAD OPENING: 0.508mm (20 mil).
5. PAD MATERIAL: Cu / Ni / Au.
6. SUBSTRATE MATERIAL: BT.
7. DUMMY DIE: SIZE OPTIONAL.
8. DAISY CHAIN PATTERN (SEE PAGE 2).
9. MSL-3 RECOMMEND BAKING 24 HOURS @125°C TO REMOVE MOISTURE PRIOR TO SOLDERING TO PC BOARD

PART NUMBER TABLE

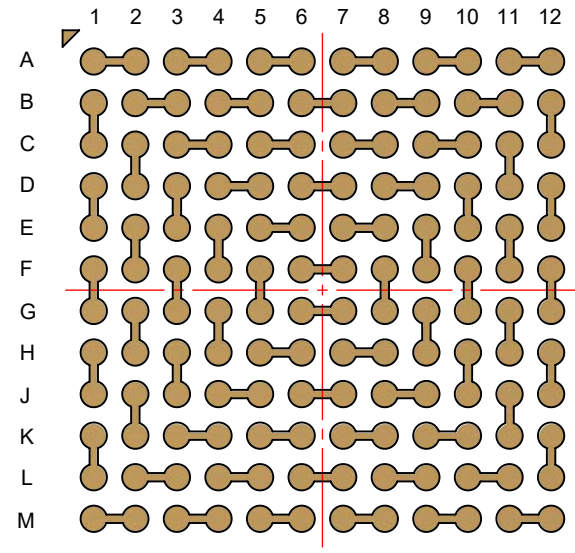
PART NUMBER	BALL ALLOY	Pb-FREE	RoHS	Si DIE
BGA144T1.0C-DC128D	SAC305	YES	YES	YES
BGA144T1.0-DC128D	Sn63/Pb37	NO	NO	YES

APPROVALS	DATE	TopLine®			
DRAWN T. Au	12/22/2024				
ENG M. Hart	12/22/2024	TITLE BGA144T1.0C-DC128D DAISY CHAIN DUMMY			
MFG		SCALE	SIZE	DRAWING NO.	REV
QA		7:1	A	511282	A
CUST		DO NOT SCALE DRAWING			SHEET 1 OF 4
REVISED					

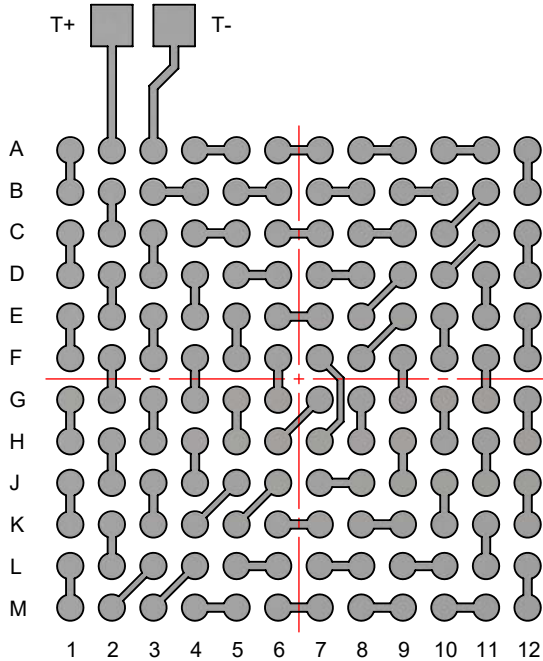
BALL VIEW



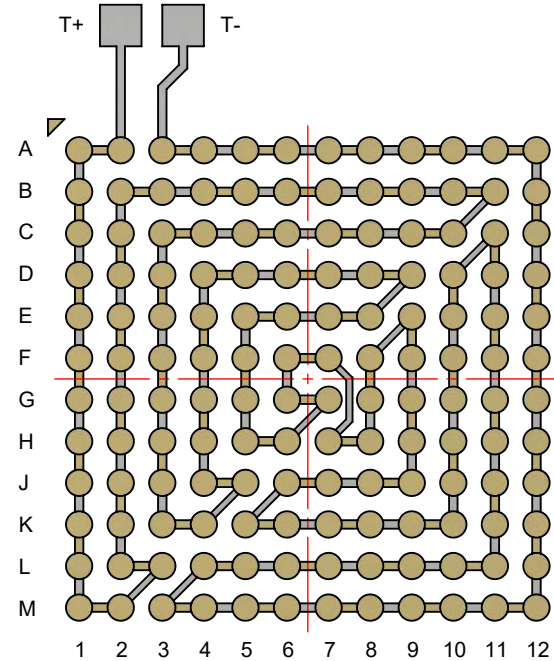
**BOTTOM SIDE
(TOP X-RAY VIEW)**



**TEST VEHICLE
BOARD
TOP VIEW**



**AFTER MOUNTING
TO TEST BOARD
(TOP X-RAY VIEW)**



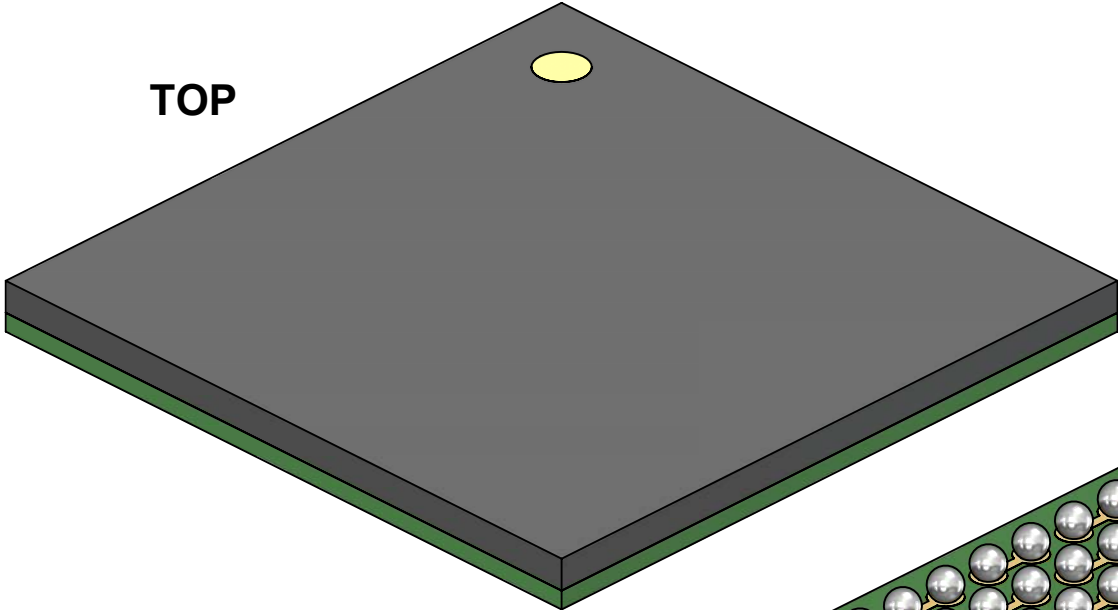
NOTES:

1. PCB BOARD DIMENSIONS ARE PRESENTED ONLY AS A GUIDELINE.
DESIGNERS SHOULD USE THEIR OWN EXPERIENCE WHEN DESIGNING PCB.
2. PCB Cu BALL PAD DIAMETER: 0.635mm (25 mil).
3. PCB DAISY CHAIN TRACING LINE WIDTH: 0.203mm (8 mil).
4. SMD (SOLDER MASK DEFINED) PAD OPENING: 0.508mm (20 mil).

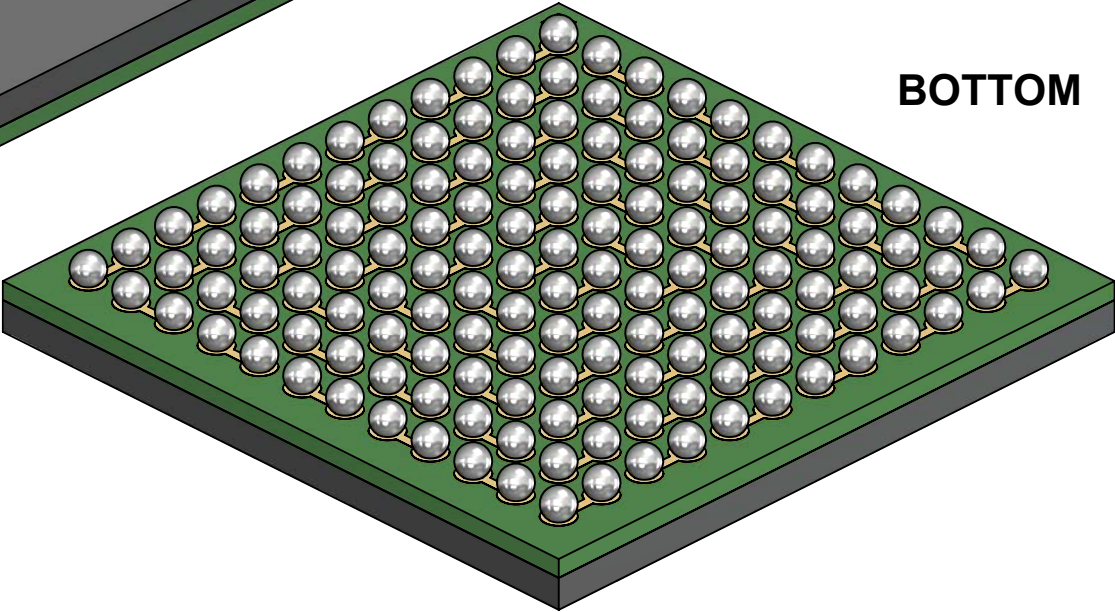
TopLine[®]			
TITLE		BGA144T1.0C-DC128D DAISY CHAIN DUMMY	
SCALE	SIZE	DRAWING NO.	REV
5.5:1	A	511282	A
DO NOT SCALE DRAWING			SHEET 2 OF 4

MODEL

TOP



BOTTOM



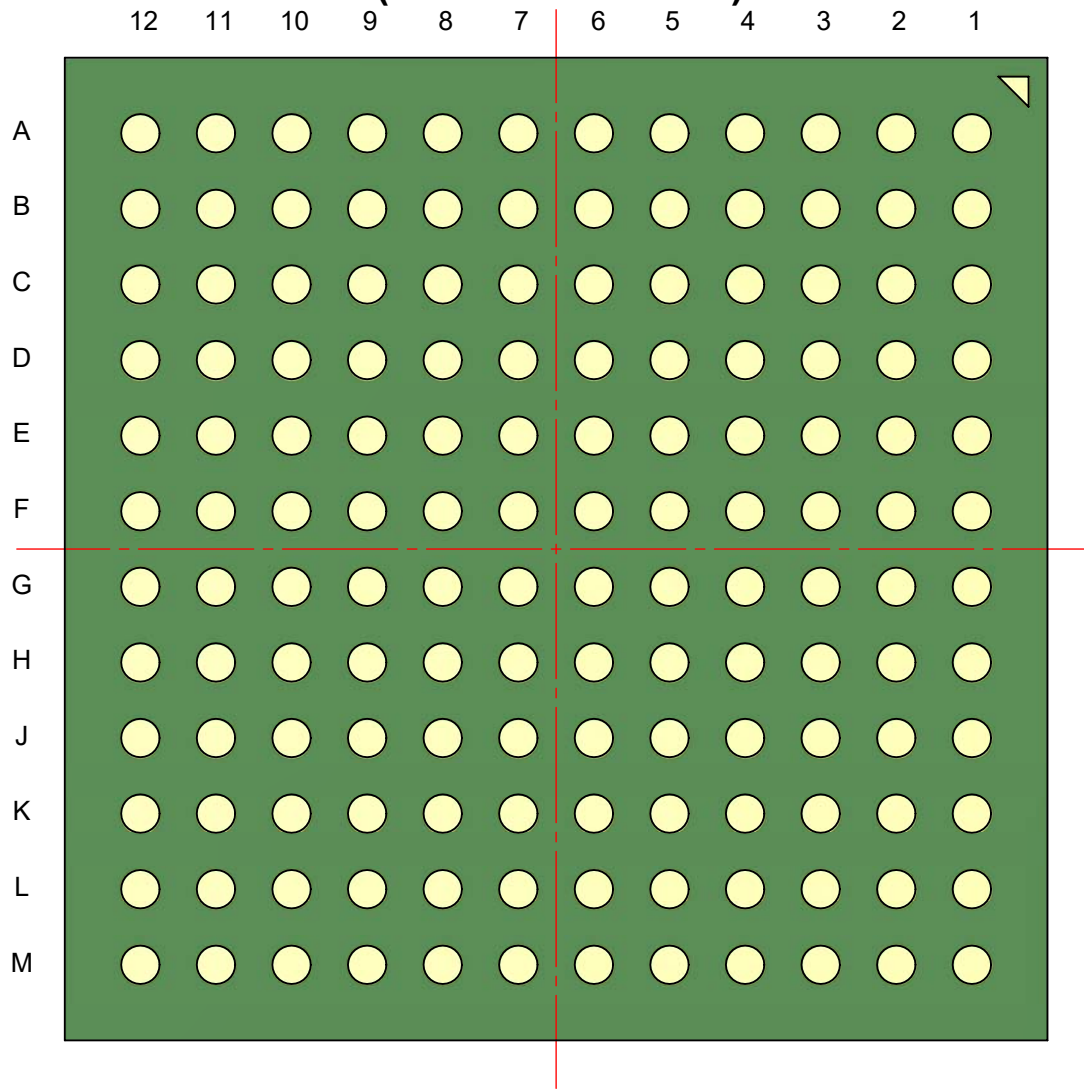
TopLine[®]

TITLE BGA144T1.0C-DC128D
DAISY CHAIN DUMMY

SCALE 8:1	SIZE A	DRAWING NO. 511282	REV A
--------------	-----------	-----------------------	----------

DO NOT SCALE DRAWING SHEET 3 OF 4

BOTTOM SOLDER MASK (RIGHT READING)



NOTES:

1. DIMENSIONS: MM.
2. SOLDER MASK OPENING: $\phi 0.508\text{mm}$ (20mil).
3. SMD PADS - SOLDER MASK DEFINED.
4. Cu PAD: $\phi 0.635\text{mm}$ (25mil).
5. SOLDER BALL E0.635mm (25 mil).

TopLine[®]			
TITLE		BGA144T1.0C-DC128D DAISY CHAIN DUMMY	
SCALE	SIZE	DRAWING NO.	REV
10:1	A	511282	A
DO NOT SCALE DRAWING			SHEET 4 OF 4